

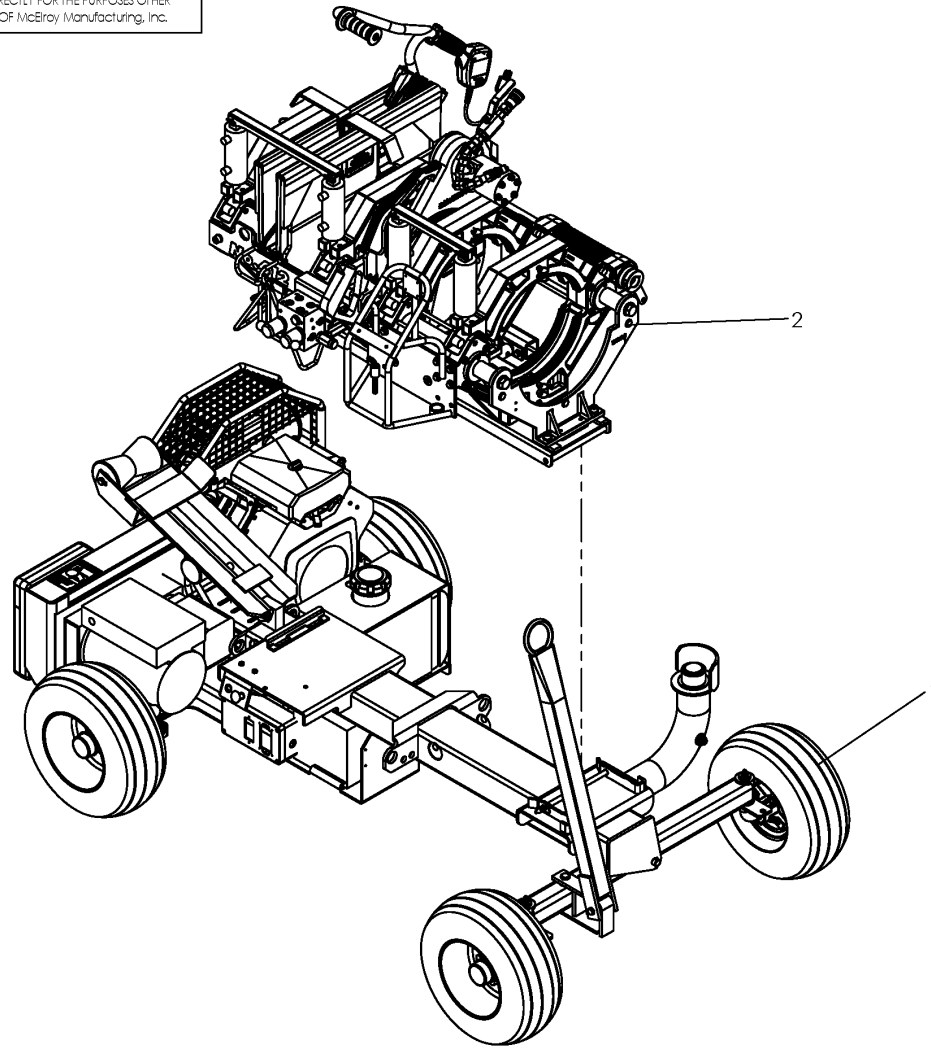


McElroy Manufacturing, Inc.
The leader by design.
Tulsa, Oklahoma U.S.A.

DRAWN: ERA CHECK: TKD APPRVD: MRP DATE: 11/16/11 SHT No: 1 REV No: PART No: A1248101_02_03HC

No. 412 DIPS HYDRAULIC CLAMPING GAS FUSION MACHINE PACKAGE

NOTE: THIS DRAWING AND THE INFORMATION CONTAINED THEREIN IS THE CONFIDENTIAL AND PROPRIETARY PROPERTY OF McElroy Manufacturing, Inc. THE DRAWING IS NOT TO BE REPRODUCED IN ANY MANNER, SUBMITTED TO OUTSIDE PARTIES FOR EXAMINATION, OR USED DIRECTLY OR INDIRECTLY FOR THE PURPOSES OTHER THAN THOSE FOR WHICH IT WAS FURNISHED WITHOUT WRITTEN PERMISSION OF McElroy Manufacturing, Inc.



McElroy Manufacturing Parts List

Part Number: A1248101HC Replaced by A12P1011867 (412 DIPS Hydraulic Clamping HF Gas Fusion Machine Package) ((11/2011 - 10/2024))

Part Number A1248101HC Component List

Item	Component	Description	Quantity	Unit	Price
1	A1869801	412/618 Gas Rolling Vehicle Package	1.0	EA	0.00
2	AT1213002HC	PitBull 412 Hydraulic Clamping HF Fusion Machine Package	1.0	EA	0.00

Please visit <https://fusion.mcelroy.com/parts> to purchase parts or for more information.

