

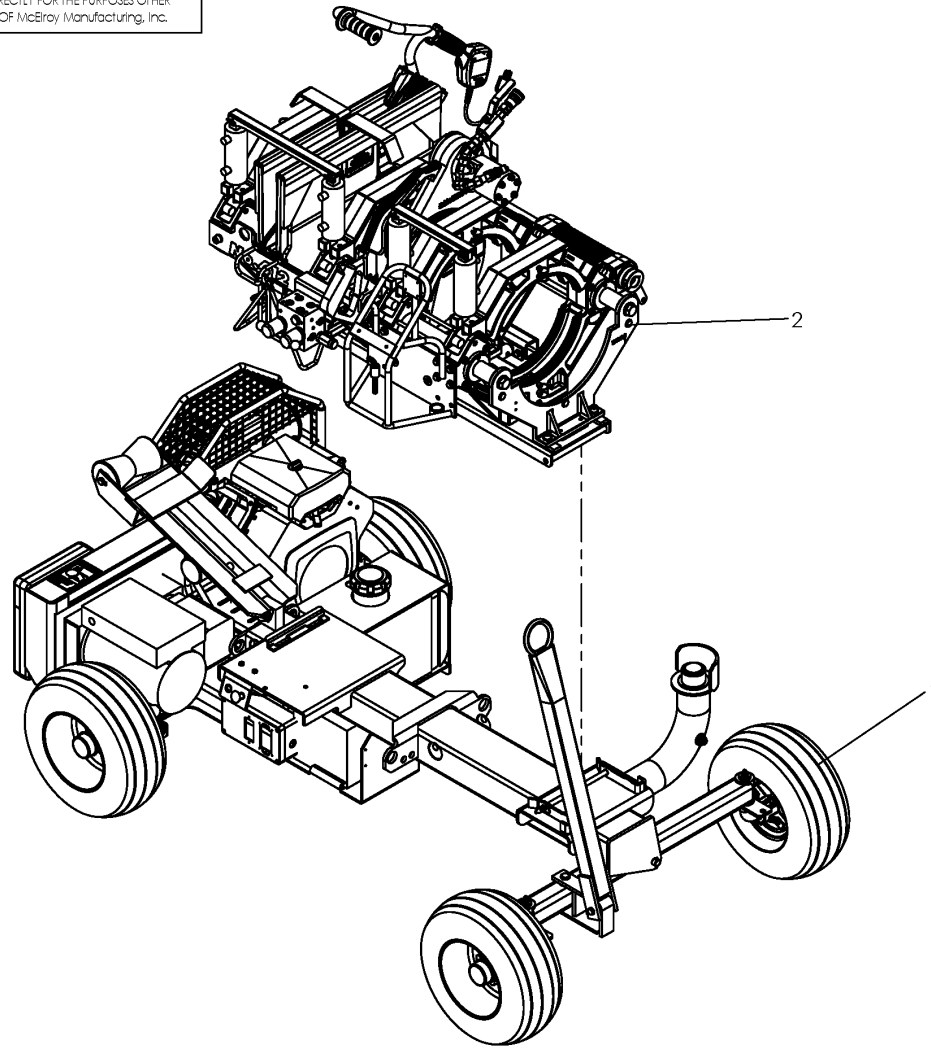


McElroy Manufacturing, Inc.  
The leader by design.  
Tulsa, Oklahoma U.S.A.

|            |            |             |                |           |         |                           |
|------------|------------|-------------|----------------|-----------|---------|---------------------------|
| DRAWN: ERA | CHECK: TKD | APPRVD: MRP | DATE: 11/16/11 | SHT No: 1 | REV No: | PART No: A1248101_02_03HC |
|------------|------------|-------------|----------------|-----------|---------|---------------------------|

No. 412 DIPS HYDRAULIC CLAMPING GAS FUSION MACHINE PACKAGE

NOTE: THIS DRAWING AND THE INFORMATION CONTAINED THEREIN IS THE CONFIDENTIAL AND PROPRIETARY PROPERTY OF McElroy Manufacturing, Inc. THE DRAWING IS NOT TO BE REPRODUCED IN ANY MANNER, SUBMITTED TO OUTSIDE PARTIES FOR EXAMINATION, OR USED DIRECTLY OR INDIRECTLY FOR THE PURPOSES OTHER THAN THOSE FOR WHICH IT WAS FURNISHED WITHOUT WRITTEN PERMISSION OF McElroy Manufacturing, Inc.



### McElroy Manufacturing Parts List

**Part Number:** A1248102HC Replaced by A12P1011871 (412 DIPS Hydraulic Clamping MF Gas Fusion Machine Package) ((11/2011 - 10/2024))

**Part Number A1248102HC Component List**

| Item | Component   | Description  | Quantity | Unit | Price |
|------|-------------|--|----------|------|-------|
| 1    | A1869801    | 412/618 Gas Rolling Vehicle Package                      | 1.0      | EA   | 0.00  |
| 2    | AT1213001HC | PitBull 412 Hydraulic Clamping MF Fusion Machine Package | 1.0      | EA   | 0.00  |

Please visit <https://fusion.mcelroy.com/parts> to purchase parts or for more information.

