

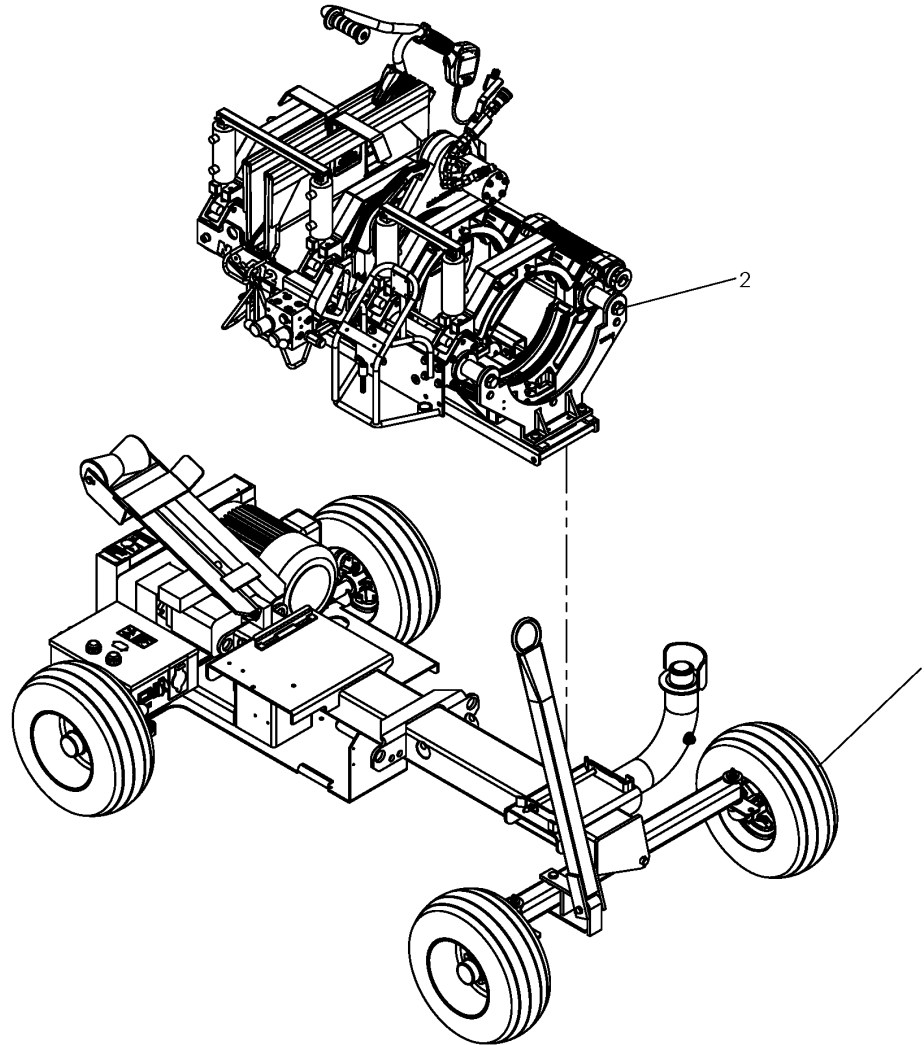


McElroy Manufacturing, Inc.
The leader by design.
Tulsa, Oklahoma U.S.A.

DRAWN: ERA CHECK: TKD APPRVD: MRP DATE: 11/16/11 SHT No: 1 REV No: PART No: A1248104_05_06_10_11_12_13HC

No. 412 DIPS HYDRAULIC CLAMPING ELECTRIC FUSION MACHINE PACKAGE

NOTE: THIS DRAWING AND THE INFORMATION CONTAINED THEREIN IS THE CONFIDENTIAL AND PROPRIETARY PROPERTY OF McElroy Manufacturing, Inc. THE DRAWING IS NOT TO BE REPRODUCED IN ANY MANNER, SUBMITTED TO OUTSIDE PARTIES FOR EXAMINATION, OR USED DIRECTLY OR INDIRECTLY FOR THE PURPOSES OTHER THAN THOSE FOR WHICH IT WAS FURNISHED WITHOUT WRITTEN PERMISSION OF McElroy Manufacturing, Inc.



McElroy Manufacturing Parts List

Part Number: A1248105HC 412 DIPS Hydraulic Clamping MF 220-240V,50/60Hz,3Ph Fusion Machine Package

Part Number A1248105HC Component List

Item	Component	Description	Quantity	Unit	Price
1	A1248301	412 220-240V Rolling Vehicle Package	1.0	EA	0.00
2	AT1213001HC	PitBull 412 Hydraulic Clamping MF Fusion Machine Package	1.0	EA	0.00

Please visit <https://fusion.mcelroy.com/parts> to purchase parts or for more information.

