

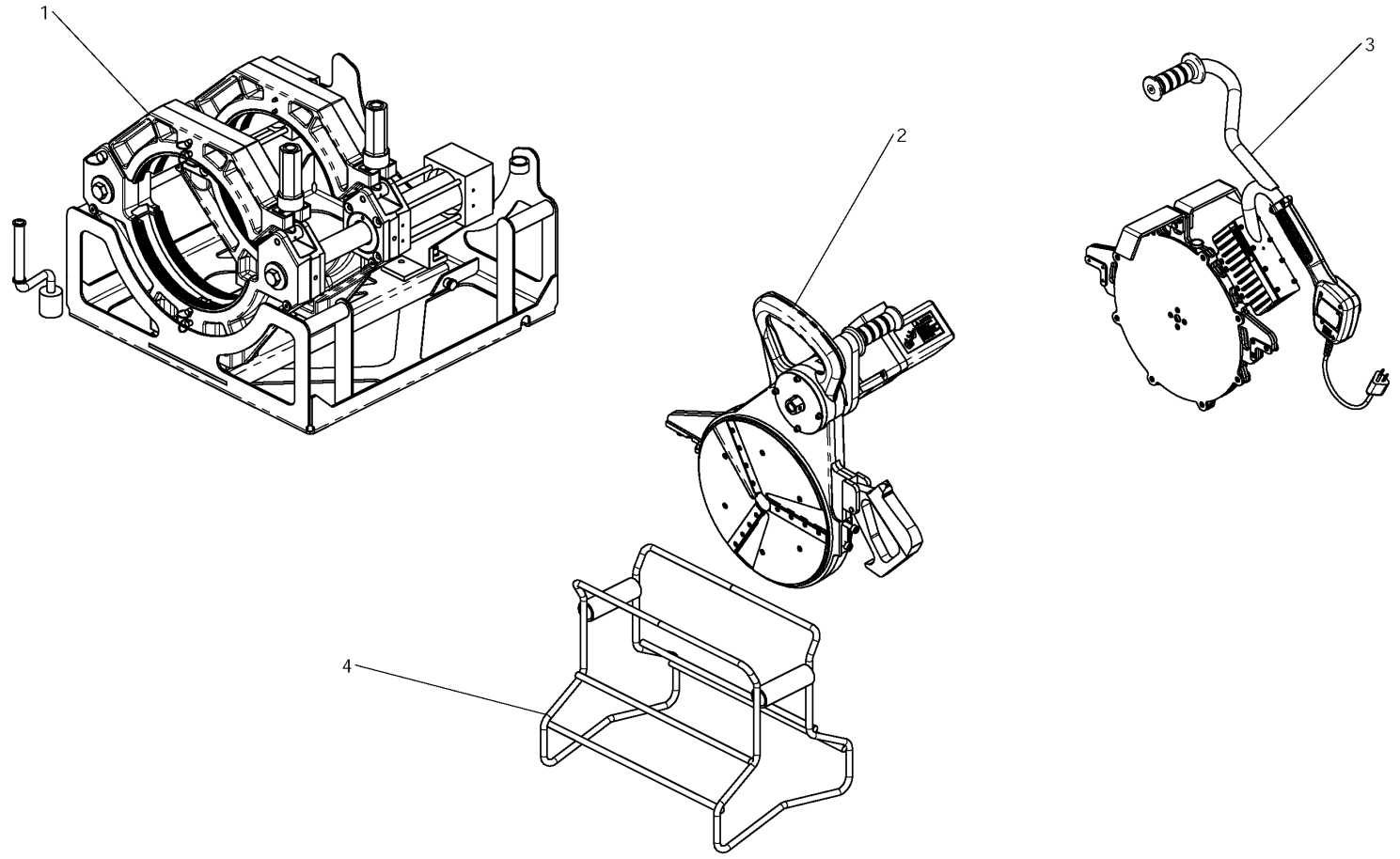


McElroy Manufacturing, Inc.
The leader by design.
Tulsa, Oklahoma U.S.A.

DRAWN: FAW CHECK: TKD APPRVD: BLM DATE: 4/20/10 SHT No: 1 REV No: PART No: A1274900

DynaMc® 412 EP 2 JAW FUSION MACHINE PACKAGE

NOTE: THIS DRAWING AND THE INFORMATION CONTAINED THEREIN IS THE CONFIDENTIAL AND PROPRIETARY PROPERTY OF McElroy Manufacturing, Inc. THE DRAWING IS NOT TO BE REPRODUCED IN ANY MANNER, SUBMITTED TO OUTSIDE PARTIES FOR EXAMINATION, OR USED DIRECTLY OR INDIRECTLY FOR THE PURPOSES OTHER THAN THOSE FOR WHICH IT WAS FURNISHED WITHOUT WRITTEN PERMISSION OF McElroy Manufacturing, Inc.



McElroy Manufacturing Parts List

Part Number: A1274904 PPR DynaMc 412 EP 2 Jaw 120V & 240V Fusion Machine Package

Part Number A1274904 Component List

Item	Component	Description	Quantity	Unit	Price
1	1274901	DynaMc 412 Electric Pump 2 Jaw Carriage Assembly	1.0	EA	15,795.00
2	1275101	DynaMc 412 Hand Pump 100-120V, 50/60Hz, 1Ph Facer Assembly	1.0	EA	10,497.00
3	1242112	Obsolete & Replaced by 1284501 (Effective to 2/9/20)	1.0	EA	0.00
3	1284501	412 220-240V,50/60Hz,1Ph Heater Assembly	1.0	EA	5,532.00
4	T1201101	Facer Stand	1.0	EA	597.00
5	1272705	Obsolete	1.0	EA	0.00
6	1270101	412 Stub End Holder Assembly	1.0	EA	6,408.00
7	1207047	160MM 2J Insert Set	1.0	S4	1,096.00
8	1207045	200MM 2J Insert Set	1.0	S4	1,096.00
9	1213512	250MM 2J Insert Set	1.0	S4	1,029.00
10	1211206	315MM 2J Insert Set	1.0	S4	1,185.00
11	1279201	160MM Knife Edge Jaw Kit	1.0	EA	0.00

Please visit <https://fusion.mcelroy.com/parts> to purchase parts or for more information.