

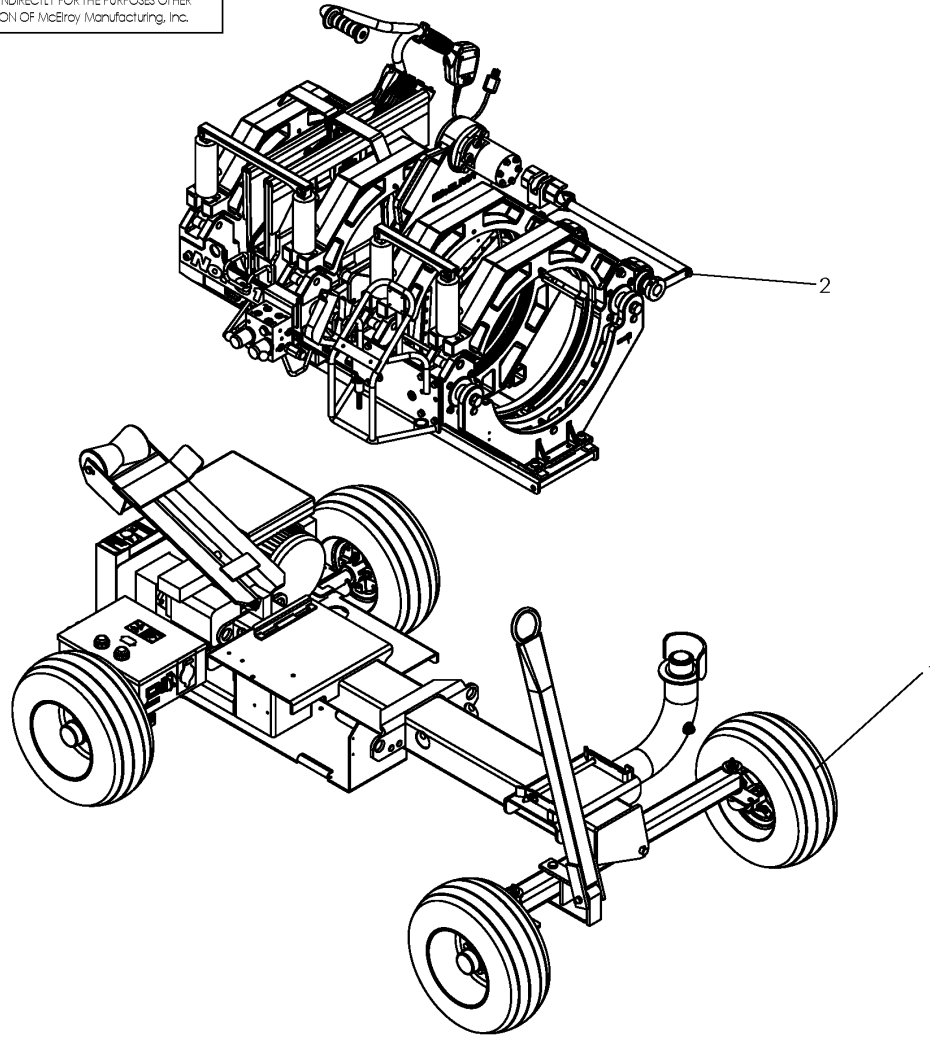


McElroy Manufacturing, Inc.
The leader by design.
Tulsa, Oklahoma U.S.A.

DRAWN: ERA CHECK: TKD APPRVD: MRP DATE: 11/16/11 SHT No: 1 REV No: PART No: A1869104_05_06_10_11_13HC

No. 618 ELECTRIC HYDRAULIC CLAMPING FUSION MACHINE PACKAGE

NOTE: THIS DRAWING AND THE INFORMATION CONTAINED THEREIN IS THE CONFIDENTIAL AND PROPRIETARY PROPERTY OF McElroy Manufacturing, Inc. THE DRAWING IS NOT TO BE REPRODUCED IN ANY MANNER, SUBMITTED TO OUTSIDE PARTIES FOR EXAMINATION, OR USED DIRECTLY OR INDIRECTLY FOR THE PURPOSES OTHER THAN THOSE FOR WHICH IT WAS FURNISHED WITHOUT WRITTEN PERMISSION OF McElroy Manufacturing, Inc.



McElroy Manufacturing Parts List

Part Number: A1869105HC 618 Hydraulic Clamping MF 220-240V,50/60Hz,3Ph Fusion Machine Package

Part Number A1869105HC Component List

| Item | Component | Description | Quantity | Unit | Price |
|------|-------------|--|----------|------|-------|
| 1 | A1869901 | 618 220-240V Rolling Vehicle Package | 1.0 | EA | 0.00 |
| 2 | AT1807501HC | PitBull 618 Hydraulic Clamping MF Fusion Machine Package | 1.0 | EA | 0.00 |

Please visit <https://fusion.mcelroy.com/parts> to purchase parts or for more information.

