

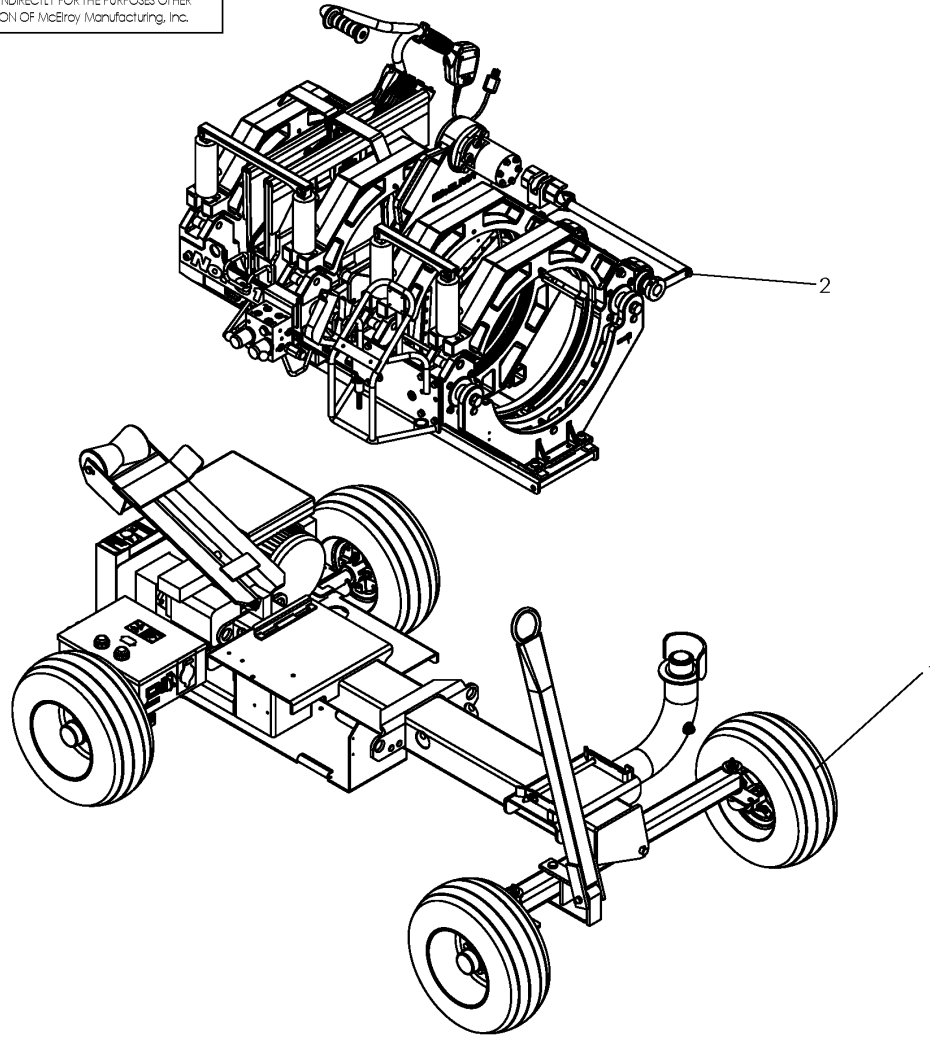


McElroy Manufacturing, Inc.  
The leader by design.  
Tulsa, Oklahoma U.S.A.

DRAWN: ERA    CHECK: TKD    APPRVD: MRP    DATE: 11/16/11    SHT No: 1    REV No:    PART No: A1869104\_05\_06\_10\_11\_13HC

No. 618 ELECTRIC HYDRAULIC CLAMPING FUSION MACHINE PACKAGE

NOTE: THIS DRAWING AND THE INFORMATION CONTAINED THEREIN IS THE CONFIDENTIAL AND PROPRIETARY PROPERTY OF McElroy Manufacturing, Inc. THE DRAWING IS NOT TO BE REPRODUCED IN ANY MANNER, SUBMITTED TO OUTSIDE PARTIES FOR EXAMINATION, OR USED DIRECTLY OR INDIRECTLY FOR THE PURPOSES OTHER THAN THOSE FOR WHICH IT WAS FURNISHED WITHOUT WRITTEN PERMISSION OF McElroy Manufacturing, Inc.



### McElroy Manufacturing Parts List

**Part Number:** A1869106HC 618 Hydraulic Clamping LF 220-240V,50/60Hz,3Ph Fusion Machine Package

**Part Number A1869106HC Component List**

Item	Component	Description	Quantity	Unit	Price
1	A1869901	618 220-240V Rolling Vehicle Package	1.0	EA	0.00
2	AT1807503HC	PitBull 618 Hydraulic Clamping LF Fusion Machine Package	1.0	EA	0.00

Please visit <https://fusion.mcelroy.com/parts> to purchase parts or for more information.

