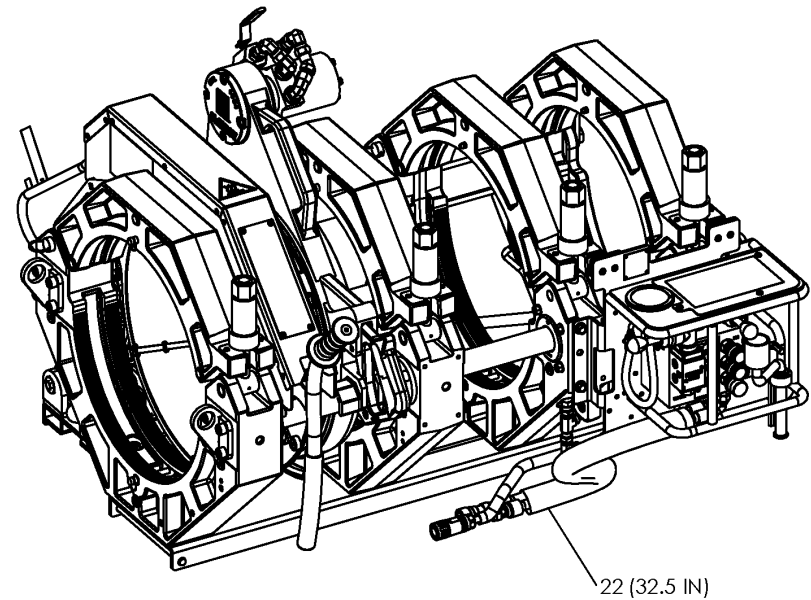
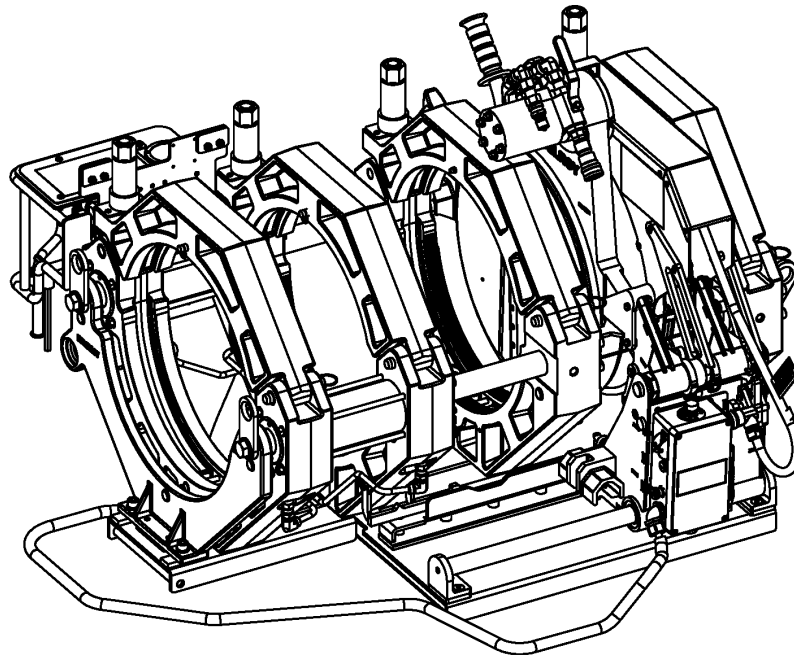


Pit Bull® 618 HIGH FORCE FUSION MACHINE PACKAGE

NOTE: THIS DRAWING AND THE INFORMATION CONTAINED THEREIN IS THE CONFIDENTIAL AND PROPRIETARY PROPERTY OF McElroy Manufacturing, Inc. THE DRAWING IS NOT TO BE REPRODUCED IN ANY MANNER, SUBMITTED TO OUTSIDE PARTIES FOR EXAMINATION, OR USED DIRECTLY OR INDIRECTLY FOR THE PURPOSES OTHER THAN THOSE FOR WHICH IT WAS FURNISHED WITHOUT WRITTEN PERMISSION OF McElroy Manufacturing, Inc.

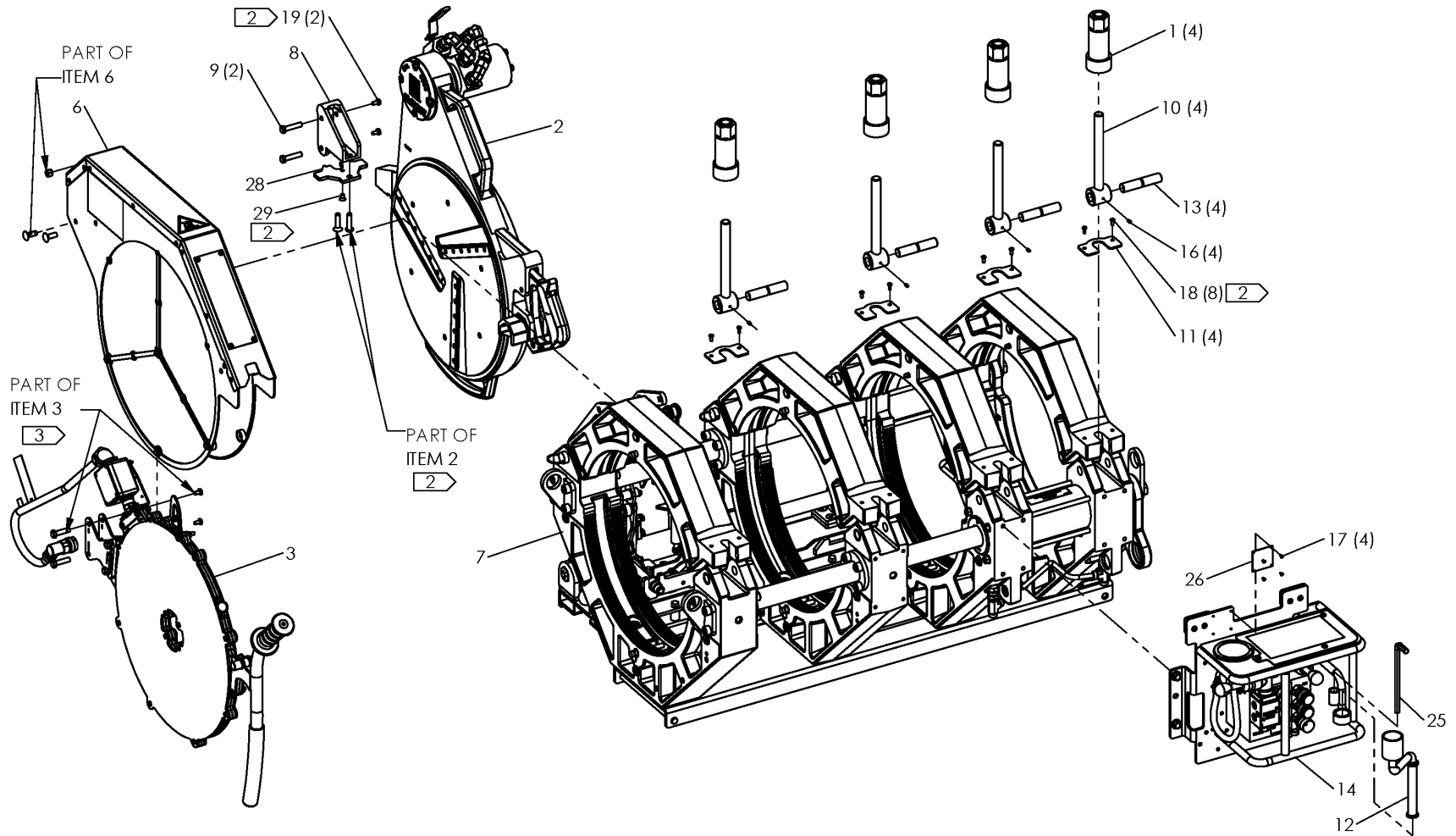
NOTES:

1. COMPONENTS MAY BE HIDDEN FROM VIEWS FOR CLARITY.
2. INSTALL WITH MEDIUM STRENGTH THREAD LOCKER.
3. INSTALL WITH HIGH TEMPERATURE ANTI-SEIZE COMPOUND.
4. LUBRICATE HYDRAULIC FITTING THREADS AND O-RINGS BEFORE ASSEMBLY.
5. TORQUE VALUES LISTED ARE MINIMUM, TOLERANCE -0/+10%.
6. ITEMS SHOWN IN PARENTHESIS REFLECT QUANTITIES IN A LOCAL GROUP AND MAY NOT INDICATE TOTAL ASSEMBLY QUANTITIES.
7. SEE DRAWING 18P1026799 OR 18P1030857 FOR ELECTRICAL SCHEMATIC.
8. SEE DRAWING 18P1034195 FOR HYDRAULIC SCHEMATIC.



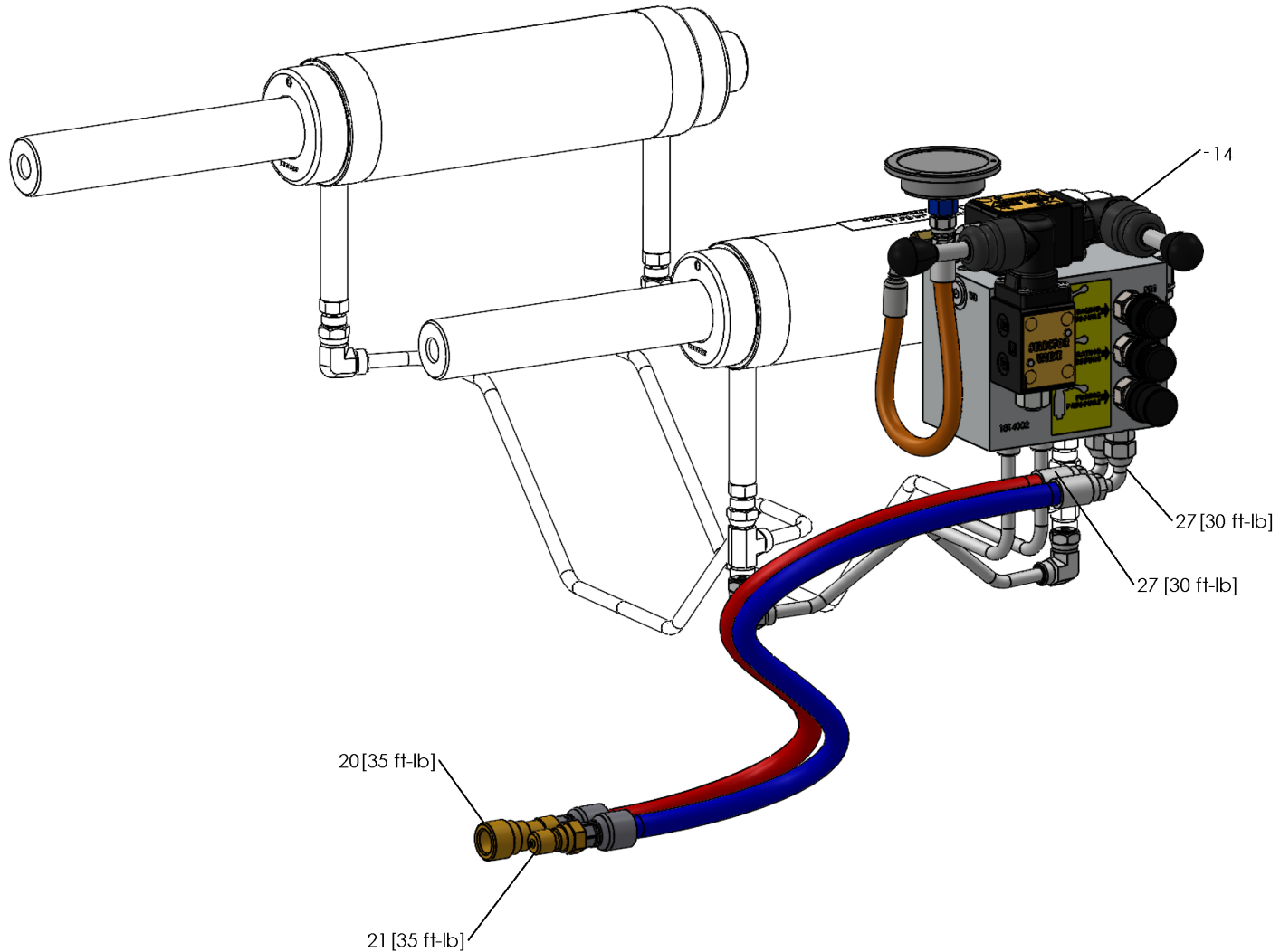
Pit Bull® 618 HIGH FORCE FUSION MACHINE PACKAGE

NOTE: THIS DRAWING AND THE INFORMATION CONTAINED THEREIN IS THE CONFIDENTIAL AND PROPRIETARY PROPERTY OF McElroy Manufacturing, Inc. THE DRAWING IS NOT TO BE REPRODUCED IN ANY MANNER, SUBMITTED TO OUTSIDE PARTIES FOR EXAMINATION, OR USED DIRECTLY OR INDIRECTLY FOR THE PURPOSES OTHER THAN THOSE FOR WHICH IT WAS FURNISHED WITHOUT WRITTEN PERMISSION OF McElroy Manufacturing, Inc.



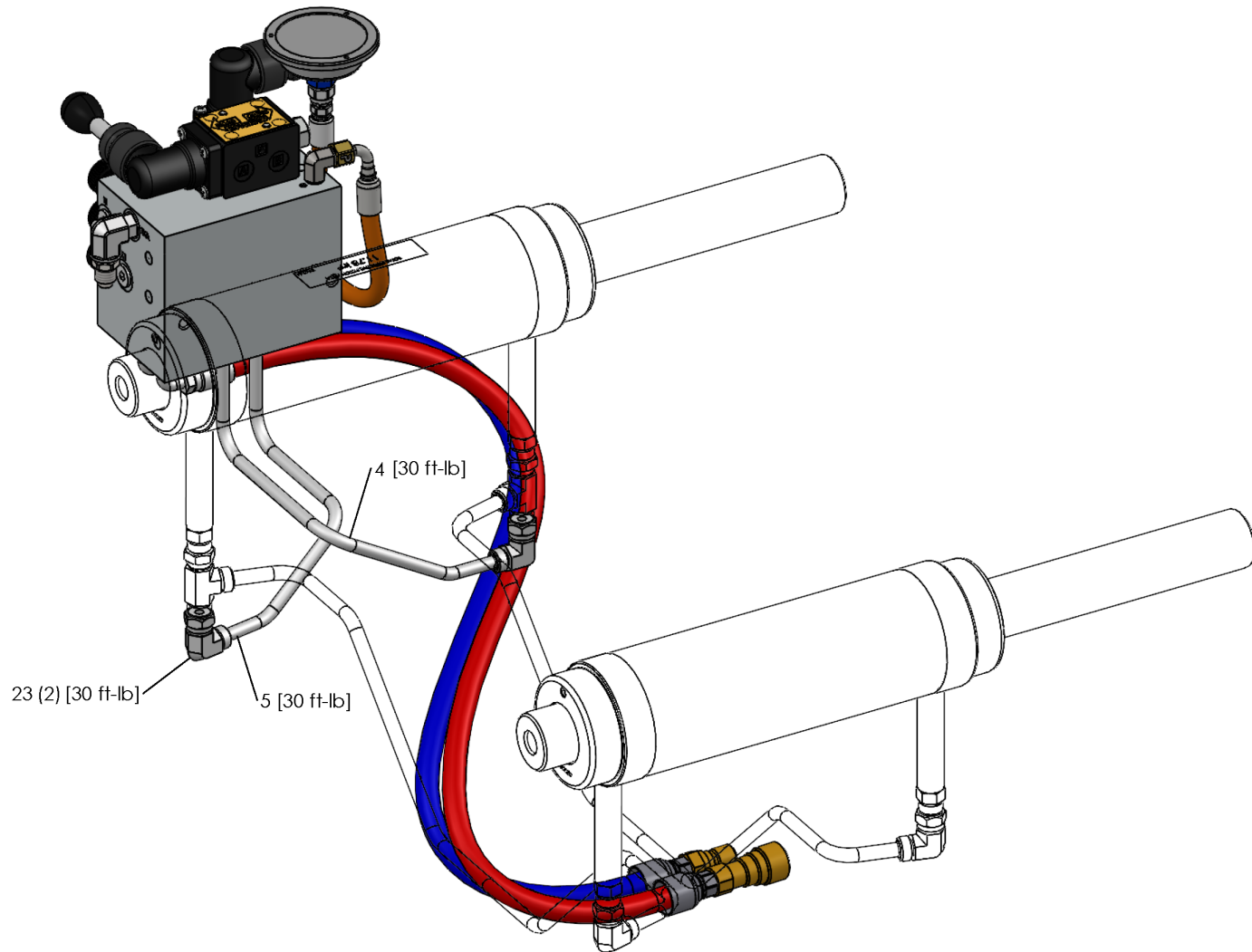
Pit Bull® 618 HIGH FORCE FUSION MACHINE PACKAGE

NOTE: THIS DRAWING AND THE INFORMATION CONTAINED THEREIN IS THE CONFIDENTIAL AND PROPRIETARY PROPERTY OF McElroy Manufacturing, Inc. THE DRAWING IS NOT TO BE REPRODUCED IN ANY MANNER, SUBMITTED TO OUTSIDE PARTIES FOR EXAMINATION, OR USED DIRECTLY OR INDIRECTLY FOR THE PURPOSES OTHER THAN THOSE FOR WHICH IT WAS FURNISHED WITHOUT WRITTEN PERMISSION OF McElroy Manufacturing, Inc.



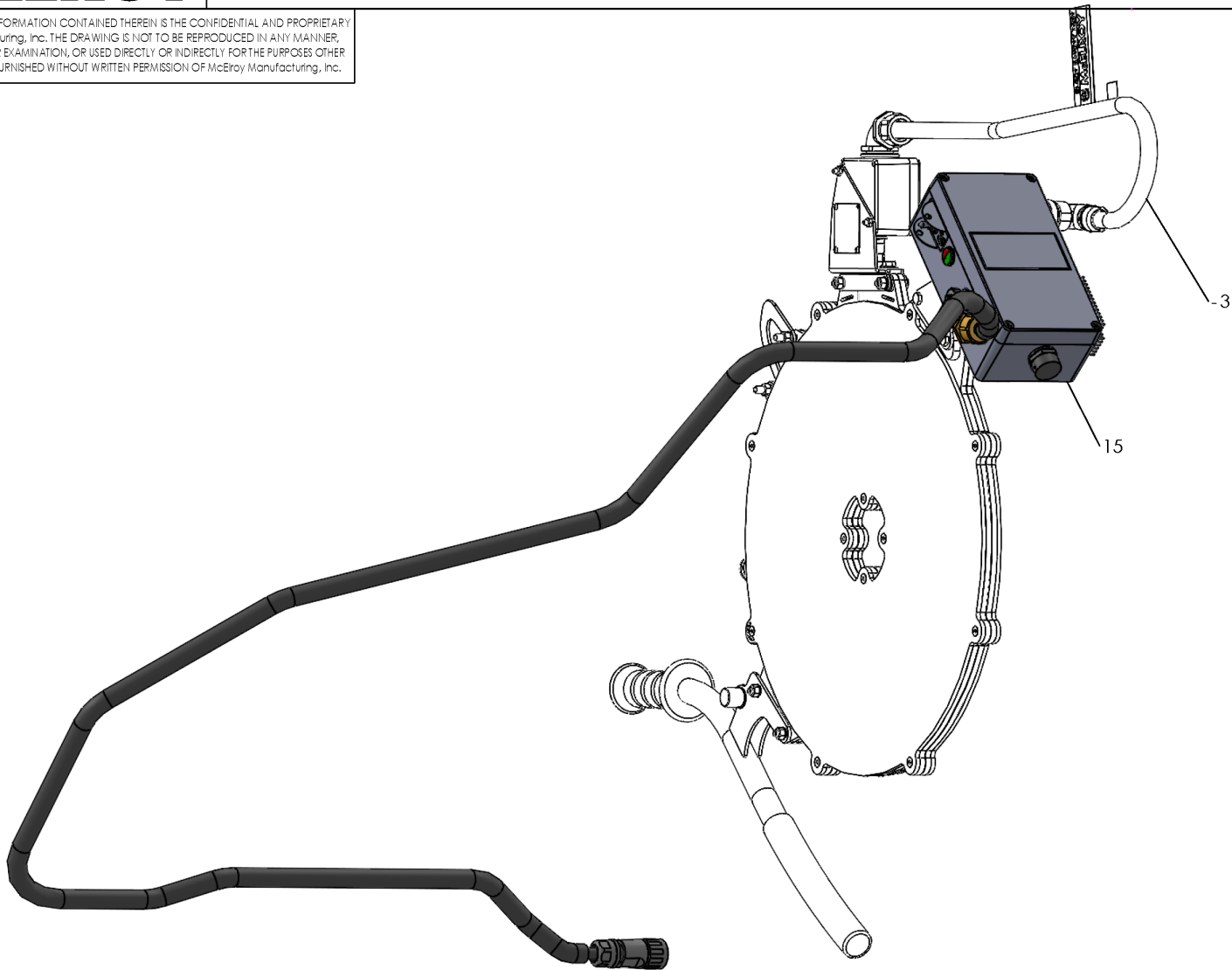
Pit Bull® 618 HIGH FORCE FUSION MACHINE PACKAGE

NOTE: THIS DRAWING AND THE INFORMATION CONTAINED THEREIN IS THE CONFIDENTIAL AND PROPRIETARY PROPERTY OF McElroy Manufacturing, Inc. THE DRAWING IS NOT TO BE REPRODUCED IN ANY MANNER, SUBMITTED TO OUTSIDE PARTIES FOR EXAMINATION, OR USED DIRECTLY OR INDIRECTLY FOR THE PURPOSES OTHER THAN THOSE FOR WHICH IT WAS FURNISHED WITHOUT WRITTEN PERMISSION OF McElroy Manufacturing, Inc.



Pit Bull® 618 HIGH FORCE FUSION MACHINE PACKAGE

NOTE: THIS DRAWING AND THE INFORMATION CONTAINED THEREIN IS THE CONFIDENTIAL AND PROPRIETARY PROPERTY OF McElroy Manufacturing, Inc. THE DRAWING IS NOT TO BE REPRODUCED IN ANY MANNER, SUBMITTED TO OUTSIDE PARTIES FOR EXAMINATION, OR USED DIRECTLY OR INDIRECTLY FOR THE PURPOSES OTHER THAN THOSE FOR WHICH IT WAS FURNISHED WITHOUT WRITTEN PERMISSION OF McElroy Manufacturing, Inc.



McElroy Manufacturing Parts List

Part Number: A18P1025175 Pit Bull 618 High Force Fusion Machine Package

Part Number A18P1025175 Component List

Item	Component	Description	Quantity	Unit	Price
1	A1806108	Clamp Knob Assembly	4.0	EA	177.00
2	T1800501	TracStar 618 Facer Assembly	1.0	EA	17,778.00
3	T18P0974613	#618 220-240V Heater Assembly (Effective to 1/22/26)	1.0	EA	0.00
3	T18P1097040	#618 220-240V, 50/60Hz, 1Ph Heater Assembly	1.0	EA	0.00
4	T18P1010159	618 Mnl A Port to Cyl Tube Asy	1.0	EA	0.00
5	T18P1010167	618 Mnl B Port to Cyl Tube Asy	1.0	EA	0.00
6	T18P1011302	618 Heater Bag Frame	1.0	EA	896.00
7	T18P1018378	618 High Force 4 Jaw Carriage Assembly	1.0	EA	0.00
8	T18P1021143	618 Facer Arm (Effective to 9/18/24)	1.0	EA	0.00
8	T18P1039143	618 Facer Arm	1.0	EA	630.00
9	T18P1023080	412/618 Facer Shoulder Nut	2.0	EA	23.10
10	1801801	8" Eye Bolt Clamp	4.0	EA	120.00
11	1806301	Jaw Clamp Pad	4.0	EA	26.18
12	1818501	12/18 Speed Wrench Assy	1.0	EA	231.00
13	1819101	Pivot Pin	4.0	EA	28.19
14	18P1004988	Manual Carriage Control Assembly	1.0	EA	2,993.00
15	18P1019414	412/618 Heater Control Assembly (Effective to 2/4/25)	1.0	EA	0.00
15	18P1045628	412/618 Heater Control Assembly	1.0	EA	0.00
16	MAGP1030623	Replaced by MAGP1048538 (Effective to 1/8/25)	4.0	EA	0.00
16	MAGP1048538	#10-24NCX3/8LG Skt Set Scr SS	4.0	EA	0.66
17	MAH00006	#6X1/4LG Drv Scr	4.0	EA	0.31
18	MAN00062	#10-24NCX1/2 LG Bhscs SS	8.0	EA	0.29
19	MAN00097	1/4-20NCX1/2LG Hhcs SS	2.0	EA	0.30
20	MFH00043	3/8 Fsae Quick Disc Coupler	1.0	EA	58.19
21	MFH00044	3/8 Fsae Quick Disc Nipple	1.0	EA	29.01
22	MFL00042	1.85 ID Hose Sleeve	2.708	FT	8.12
23	MFQ00009	6MSL/6FSL Swivel Elbow	2.0	EA	19.65
24	MFQ00011	6MSL/6MSAE Adapter (Effective to 11/10/24)	2.0	EA	10.94
25	MJL00018	3/8 Hex Key Wrench-long Ser PL	1.0	EA	12.26
26	N1A18P1025175	Nameplate	1.0	EA	0.00
27	SLBDDJD035	Hose Assy Oal 35"	2.0	EA	79.70
28	T18P1039133	618 Facer Arm Standoff (Effective 9/19/24 to 10/23/24)	1.0	EA	46.13
28	T18P1044376	618 Facer Arm Stop	1.0	EA	93.87
29	MAD00277	1/4-20NCX1/2LG Fhscs PL	1.0	EA	0.77

Please visit <https://fusion.mcelroy.com/parts> to purchase parts or for more information.