

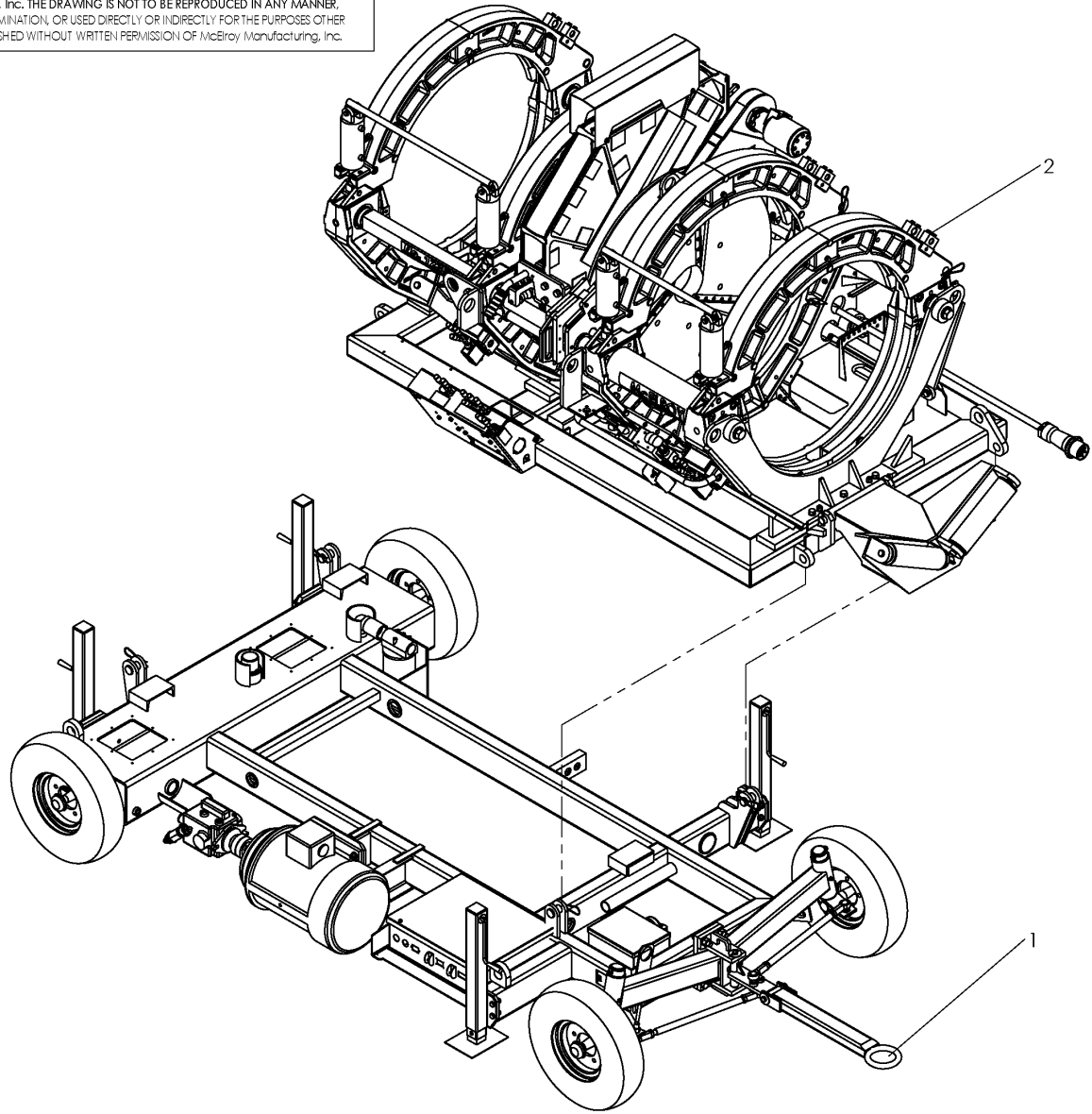


McElroy Manufacturing, Inc.
The leader by design.
Tulsa, Oklahoma U.S.A.

DRAWN: ARB CHECK: SWB APPRVD: SWB DATE: 3/31/09 SHT No: 1 REV No: A PART No: A3639500

CE #1236 FUSION MACHINE PACKAGE

NOTE: THIS DRAWING AND THE INFORMATION CONTAINED THEREIN IS THE CONFIDENTIAL AND PROPRIETARY PROPERTY OF McElroy Manufacturing, Inc. THE DRAWING IS NOT TO BE REPRODUCED IN ANY MANNER, SUBMITTED TO OUTSIDE PARTIES FOR EXAMINATION, OR USED DIRECTLY OR INDIRECTLY FOR THE PURPOSES OTHER THAN THOSE FOR WHICH IT WAS FURNISHED WITHOUT WRITTEN PERMISSION OF McElroy Manufacturing, Inc.



McElroy Manufacturing Parts List

Part Number: A3639503 Replaced by A3670103 (CE 1236 LF 220-240V,50/60Hz,3Ph Fusion Machine Package) ((3/2009-1/2018))

Part Number A3639503 Component List

Item	Component	Description	Quantity	Unit	Price
1	A3640101	Replaced by A3670301	1.0	EA	0.00
2	AT9028503	Replaced by AT9058303	1.0	EA	0.00

Please visit <https://fusion.mcelroy.com/parts> to purchase parts or for more information.

