



**McElroy Manufacturing, Inc.**  
 The leader by design.  
 Tulsa, Oklahoma U.S.A.

DRAWN:

ARB

CHECK:

SWB

APPRV'D:

SWB

DATE:

9/11/07

DWG No:

SHT No:

REV No:

PART No:

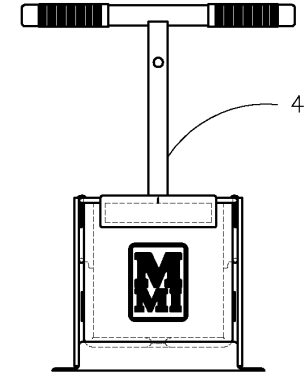
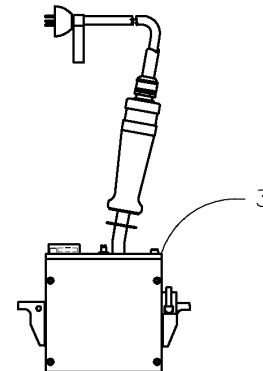
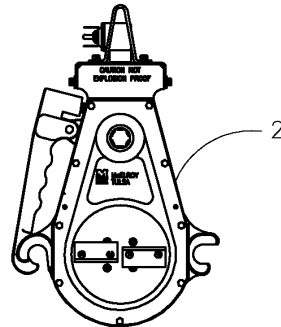
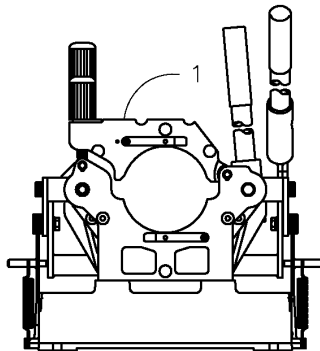
CAD No:

\_PKG14

#14 FUSION MACHINE GROUPING FOR A420000 PACKAGES

NOTE: THIS DRAWING AND THE INFORMATION CONTAINED THEREIN IS THE CONFIDENTIAL AND PROPRIETARY PROPERTY OF McElroy Manufacturing, Inc. THE DRAWING IS NOT TO BE REPRODUCED IN ANY MANNER, SUBMITTED OUTSIDE PARTIES FOR EXAMINATION, OR USED DIRECTLY OR INDIRECTLY FOR THE PURPOSES OTHER THAN THOSE FOR WHICH IT WAS FURNISHED WITHOUT WRITTEN PERMISSION OF McElroy Manufacturing, Inc.

- 1 - 420001 #14 BUTT FUSION MACHINE ASSEMBLY
- 2 - 401001 #14 FACER ASSEMBLY 100-120V, 50/60Hz, 1Ph
- 2 - 401002 #14 FACER ASSEMBLY 200-240V, 50/60Hz, 1Ph
- 3 - A424304 #14 Multi-Mc BUTT PLATE HEATER KIT 100-120V, 50/60Hz, 1Ph (INCLUDES 424304 W/ BUTT PLATES)
- 3 - A424305 #14 Multi-Mc BUTT PLATE HEATER KIT 200-240V, 50/60Hz, 1Ph (INCLUDES 424305 W/ BUTT PLATES)
- 4 - 414016 #14 HEATER/FACER STAND ASSEMBLY



### McElroy Manufacturing Parts List

**Part Number:** A420003 No. 14 Butt 100-120V, 50/60Hz Fusion Machine Package (Obsolete)

**Part Number A420003 Component List**

Item	Component	Description	Quantity	Unit	Price
1	420001	No. 14 Butt Fusion Machine Assembly	1.0	EA	0.00
2	401001	No. 14 100-120V,50/60Hz,1Ph Facer Assembly	1.0	EA	0.00
3	A424304	No. 14 Multi-Mc Butt Plate 100-120V, 50/60Hz, 1Ph Heater Kit	1.0	EA	0.00
4	414016	No. 14 Heater/Facer Stand Assembly	1.0	EA	0.00

Please visit <https://fusion.mcelroy.com/parts> to purchase parts or for more information.

