



McElroy Manufacturing, Inc.
 The leader by design.
 Tulsa, Oklahoma U.S.A.

DRAWN: ARB CHECK: SWB APPRV'D: SWB DATE: 9/11/07 DWG No:

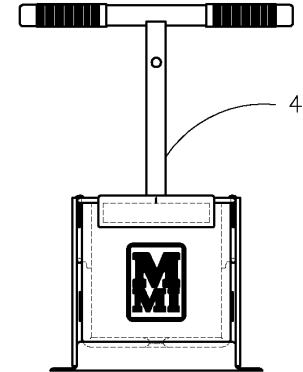
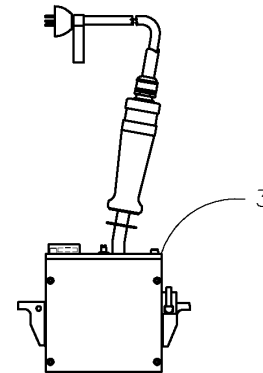
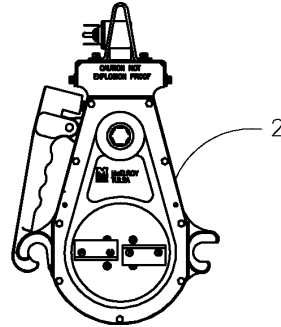
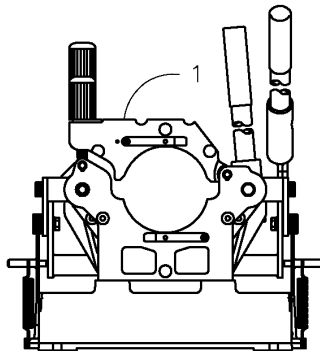
SHT No: REV No: PART No:

CAD No: _PKG14

#14 FUSION MACHINE GROUPING FOR A420000 PACKAGES

NOTE: THIS DRAWING AND THE INFORMATION CONTAINED THEREIN IS THE CONFIDENTIAL AND PROPRIETARY PROPERTY OF McElroy Manufacturing, Inc. THE DRAWING IS NOT TO BE REPRODUCED IN ANY MANNER, SUBMITTED OUTSIDE PARTIES FOR EXAMINATION, OR USED DIRECTLY OR INDIRECTLY FOR THE PURPOSES OTHER THAN THOSE FOR WHICH IT WAS FURNISHED WITHOUT WRITTEN PERMISSION OF McElroy Manufacturing, Inc.

- 1 - 420001 #14 BUTT FUSION MACHINE ASSEMBLY
- 2 - 401001 #14 FACER ASSEMBLY 100-120V, 50/60Hz, 1Ph
- 2 - 401002 #14 FACER ASSEMBLY 200-240V, 50/60Hz, 1Ph
- 3 - A424304 #14 Multi-Mc BUTT PLATE HEATER KIT 100-120V, 50/60Hz, 1Ph (INCLUDES 424304 W/ BUTT PLATES)
- 3 - A424305 #14 Multi-Mc BUTT PLATE HEATER KIT 200-240V, 50/60Hz, 1Ph (INCLUDES 424305 W/ BUTT PLATES)
- 4 - 414016 #14 HEATER/FACER STAND ASSEMBLY



McElroy Manufacturing Parts List

Part Number: A420004 No. 14 Butt 200-240V, 50/60Hz Fusion Machine Package (Obsolete)

Part Number A420004 Component List

Item	Component	Description	Quantity	Unit	Price
1	420001	No. 14 Butt Fusion Machine Assembly	1.0	EA	0.00
2	401002	No. 14 200-240V,50/60Hz,1Ph Facer Assembly	1.0	EA	0.00
3	A424305	No. 14 Multi-Mc Butt Plate 200-240V, 50/60Hz, 1Ph Heater Kit	1.0	EA	0.00
4	414016	No. 14 Heater/Facer Stand Assembly	1.0	EA	0.00

Please visit <https://fusion.mcelroy.com/parts> to purchase parts or for more information.

