

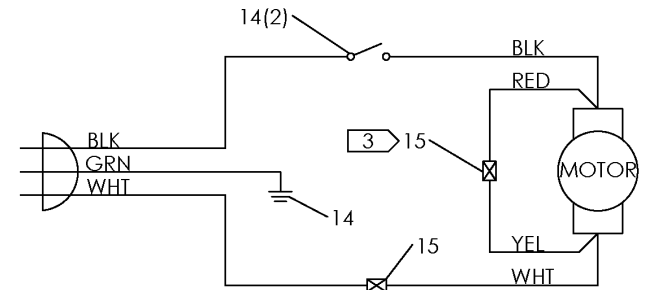
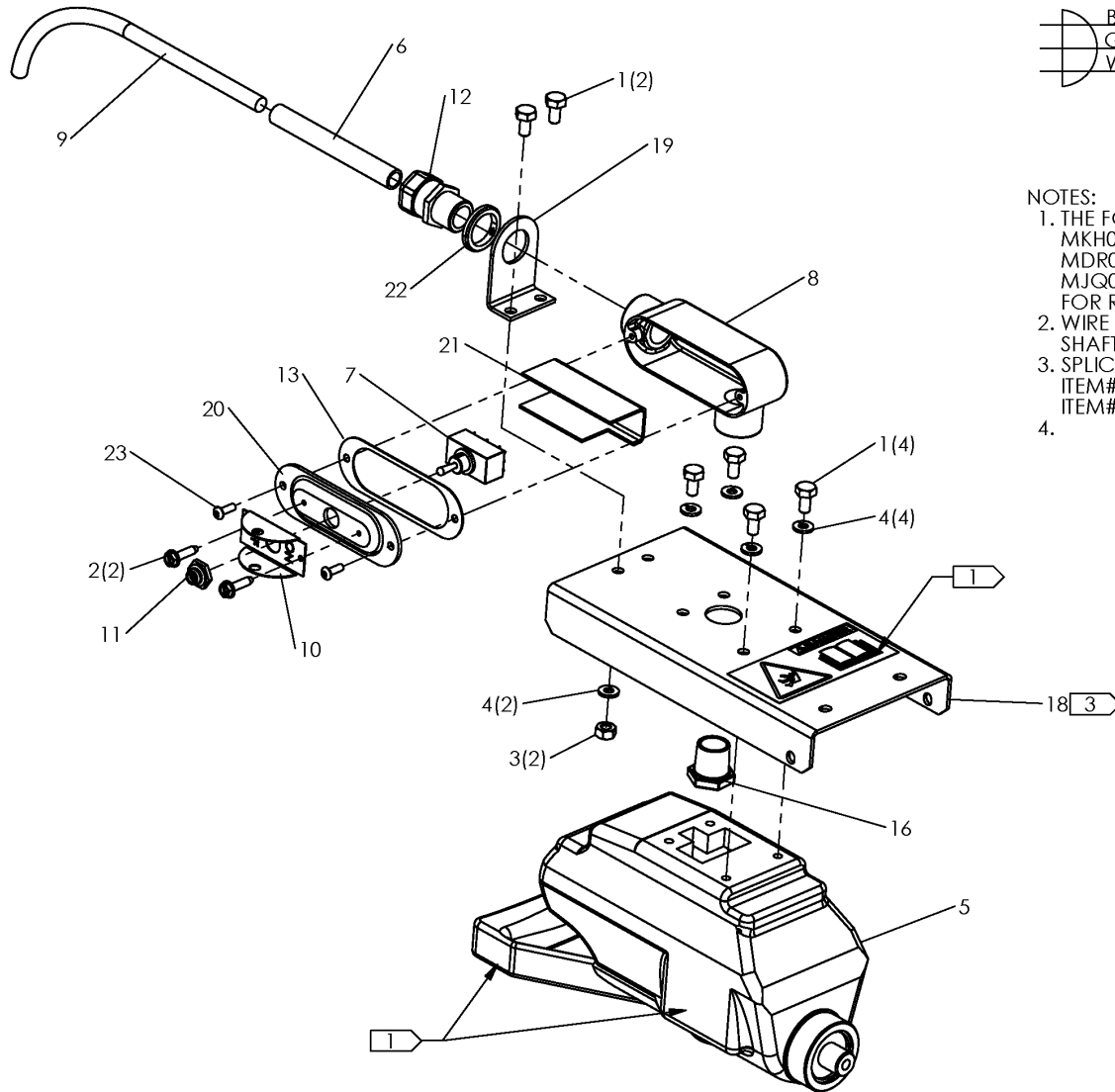


McElroy Manufacturing, Inc.
The leader by design.
Tulsa, Oklahoma U.S.A.

DRAWN: BWW CHECK: TLW APPRVD: SWB DATE: 10/23/00 SHT No: 1 REV No: N PART No: A424101

#14 BM FACER MOTOR ASSEMBLY 100-120V, 50/60Hz 1Ph

NOTE: THIS DRAWING AND THE INFORMATION CONTAINED THEREIN IS THE CONFIDENTIAL AND PROPRIETARY PROPERTY OF McElroy Manufacturing, Inc. THE DRAWING IS NOT TO BE REPRODUCED IN ANY MANNER, SUBMITTED TO OUTSIDE PARTIES FOR EXAMINATION, OR USED DIRECTLY OR INDIRECTLY FOR THE PURPOSES OTHER THAN THOSE FOR WHICH IT WAS FURNISHED WITHOUT WRITTEN PERMISSION OF McElroy Manufacturing, Inc.



NOTES:

1. THE FOLLOWING PARTS ARE AVAILABLE FOR THE MOTOR:
MKH00018 (2) CARBON BRUSH
MDR00068 (2) BRUSH CAP
MJQ00060 (1) HANDLE
FOR REPLACEMENT LABEL USE 410902.
2. WIRE MOTOR FOR COUNTER-CLOCKWISE ROTATION FACING SHAFT END OF MOTOR.
3. SPLICE RED AND YELLOW MOTOR WIRES BEFORE INSTALLING ITEM#18. ALL OTHER SPLICES ARE MADE INSIDE CONDULET ITEM#8.
- 4.

McElroy Manufacturing Parts List

Part Number: A424101 #14 BM Facer Motor Assembly 100-120V, 50/60Hz, 1Ph



14 100-120,50/60 fcr mtr assy

Part Number A424101 Component List

Item	Component	Description	Quantity	Unit	Price
1	MAB00002	1/4-20NCX1/2LG Hhcs	6.0	EA	0.18
2	MAH00036	#6-32NCX3/8LG Hwh TC Scr	2.0	EA	0.29
3	MBA00005	1/4-20NC Fnsh Hex Nut Stl PL	2.0	EA	0.32
4	MBE00005	1/4 Reg Splt Lck Washer Stl PL	6.0	EA	0.10
5	MDB00012	1/2HP Univ Motor	1.0	EA	811.00
6	MHA00009	3/8ID X 9/16OD Rubber Tubing (Effective to 6/15/25)	0.333	FT	4.28
6	MHA00096	3/8ID X 1/2OD Rubber Tubing	0.333	FT	3.69
7	MKE00001	Spst On-off Toggle Switch	1.0	EA	8.55
8	MLA00014	1/2 Condulet 'II'	1.0	EA	36.84
9	MLE00017	Replaced by 434202 OR A434202 (Effective 2/28/90 to 5/10/18)	1.0	EA	0.00
9	434202	13AMP/120V Power Cord	1.0	EA	45.10
10	MLG00001	Switch Guard	1.0	EA	2.63
11	MLH00001	Switch Boot	1.0	EA	5.67
12	MLK00007	Strain Relief Connector	1.0	EA	14.66
13	MLK00010	1/2" Condulet Gasket	1.0	EA	6.07
14	MLM00001	14-16 X #8 Ring Terminal	3.0	EA	0.46
15	MLM00003	14-16 Butt Splice	2.0	EA	0.42
16	MLN00026	1/2"NPT Chase Nipple	1.0	EA	1.78
18	417501	Motor Cover	1.0	EA	52.41
19	418001	Switch Box Locking Bracket	1.0	EA	9.35
20	418101	Switch Cover Mod	1.0	EA	22.25
21	424201	Insulator Gasket	1.0	EA	5.11
22	MLJ00004	1/2 Seal Ring	1.0	EA	5.24
23	MAH00034	#8-32NCX1/2LG Rhsm (Effective 8/2/21 to 3/10/22)	2.0	EA	0.39
23	MAE00148	#8-32NCX1/2LG Bhscs Stl PL	2.0	EA	0.23

Please visit <https://fusion.mcelroy.com/parts> to purchase parts or for more information.