



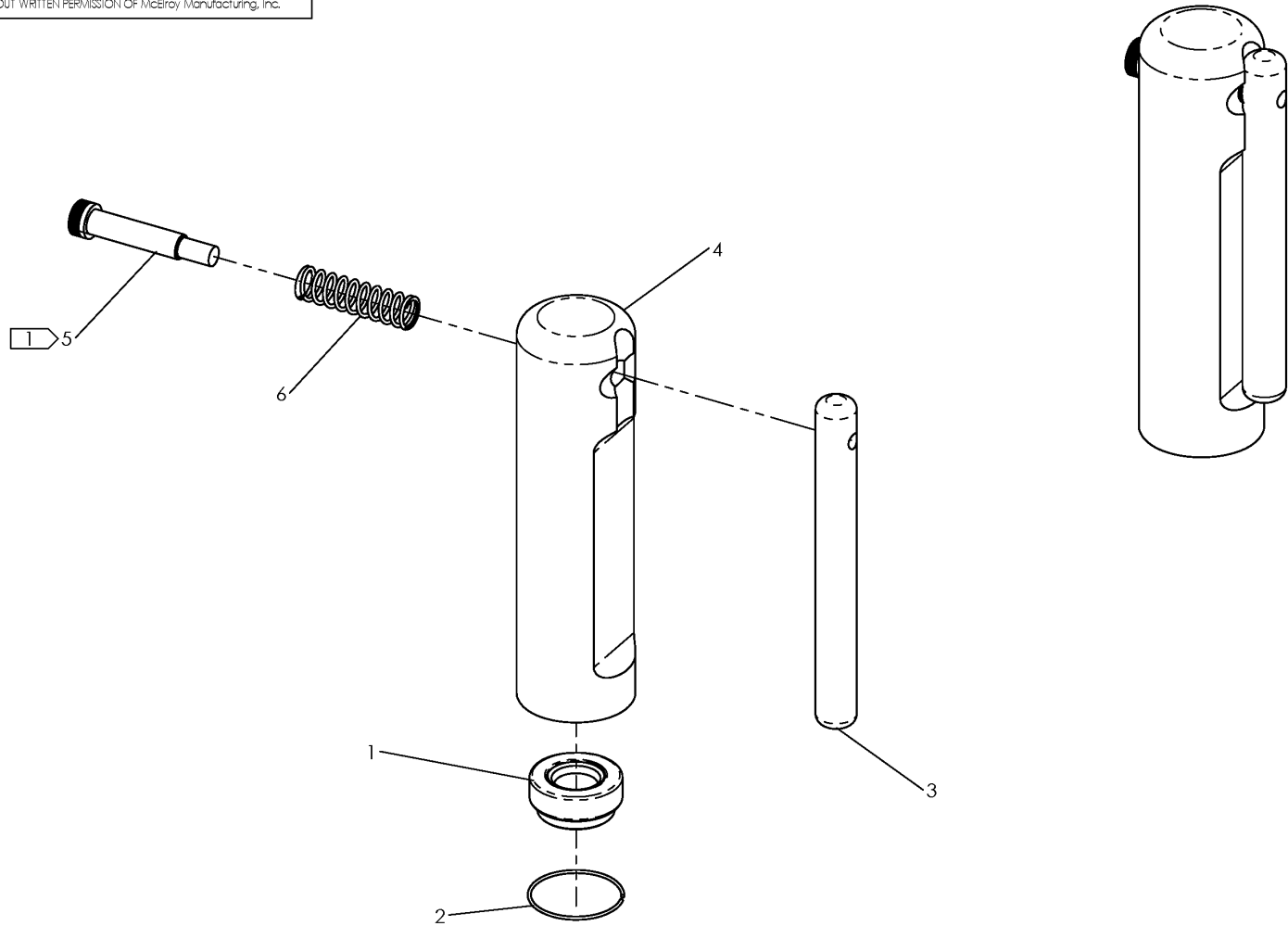
McElroy Manufacturing, Inc.
The leader by design.
Tulsa, Oklahoma U.S.A.

DRAWN: MRH	CHECK: PJD	APPRVD: JBC	DATE: 11/8/17	SHT No: 1	REV No:	PART No: A829102
------------	------------	-------------	---------------	-----------	---------	------------------

HIGH FORCE CLAMP KNOB ASSEMBLY

NOTE: THIS DRAWING AND THE INFORMATION CONTAINED THEREIN IS THE CONFIDENTIAL AND PROPRIETARY PROPERTY OF McElroy Manufacturing, Inc. THE DRAWING IS NOT TO BE REPRODUCED IN ANY MANNER, SUBMITTED TO OUTSIDE PARTIES FOR EXAMINATION, OR USED DIRECTLY OR INDIRECTLY FOR THE PURPOSES OTHER THAN THOSE FOR WHICH IT WAS FURNISHED WITHOUT WRITTEN PERMISSION OF McElroy Manufacturing, Inc.

NOTES:
1. INSTALL WITH MEDIUM STRENGTH THREAD LOCKER.



McElroy Manufacturing Parts List

Part Number: A829102 HF Clamp Knob Assembly

Part Number A829102 Component List

Item	Component	Description	Quantity	Unit	Price
1	403101	Bearing Assy	1.0	EA	35.87
2	403201	Snap Ring	1.0	EA	28.88
3	31501601	HF Clamp Knob Handle	1.0	EA	0.00
4	31501701	HF Clamp Knob	1.0	EA	0.00
5	MAF00093	5/16DIA X 1-1/4LSKTHD SHLDR SCR SS	1.0	EA	12.64
6	MJE00078	7/16" Dia Compression Spring	1.0	EA	0.00

Please visit <https://fusion.mcelroy.com/parts> to purchase parts or for more information.

