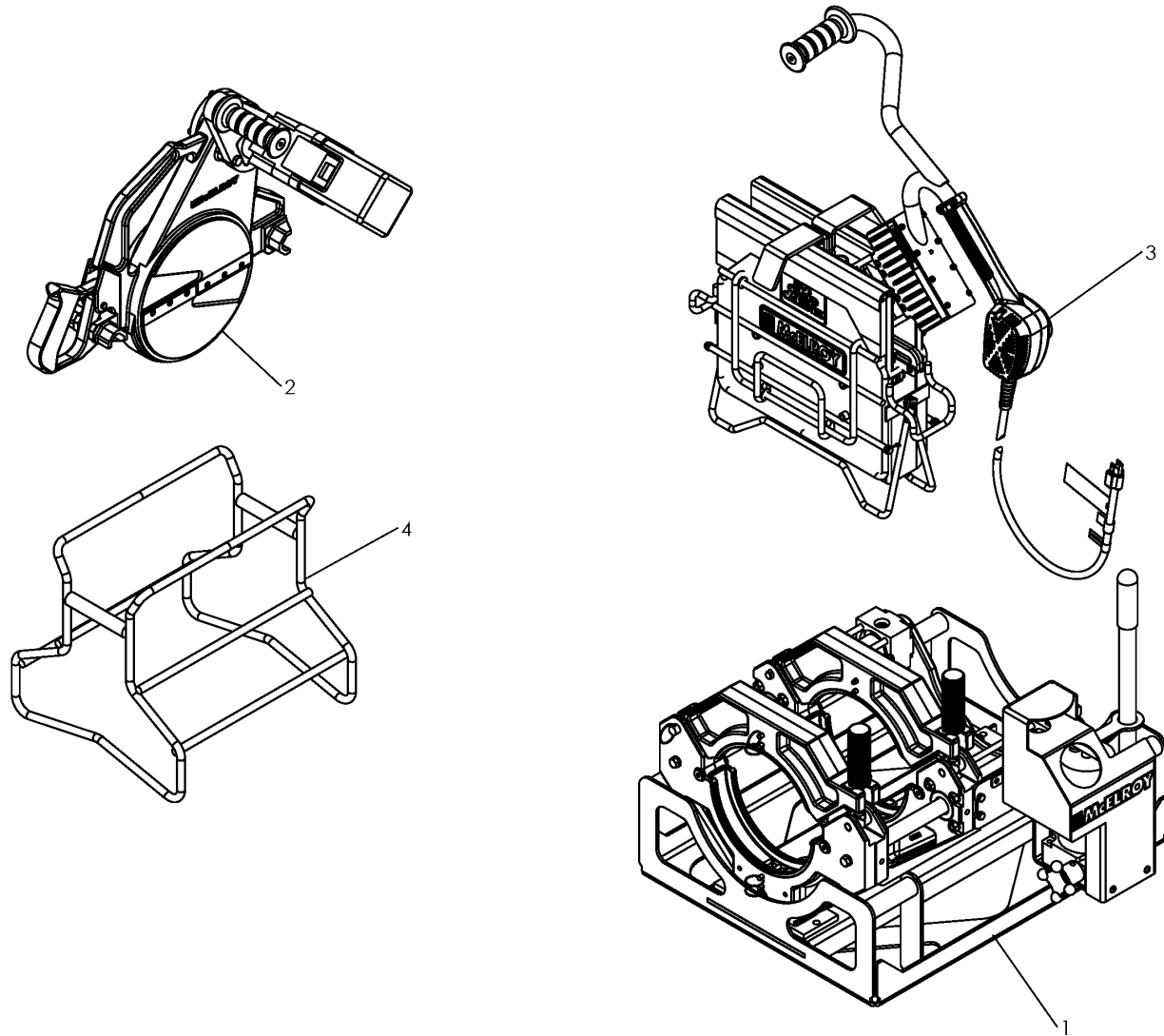


## DynaMc® 28 HP 2 JAW FUSION MACHINE PACKAGE

NOTE: THIS DRAWING AND THE INFORMATION CONTAINED THEREIN IS THE CONFIDENTIAL AND PROPRIETARY PROPERTY OF McElroy Manufacturing, Inc. THE DRAWING IS NOT TO BE REPRODUCED IN ANY MANNER, SUBMITTED TO OUTSIDE PARTIES FOR EXAMINATION, OR USED DIRECTLY OR INDIRECTLY FOR THE PURPOSES OTHER THAN THOSE FOR WHICH IT WAS FURNISHED WITHOUT WRITTEN PERMISSION OF McElroy Manufacturing, Inc.



### McElroy Manufacturing Parts List

**Part Number:** A881701 DynaMc 28 Hand Pump 2 Jaw Fusion Machine Package

**Part Number A881701 Component List**

Item	Component	Description	Quantity	Unit	Price
1	881601	DynaMc 28 Hand Pump 2 Jaw Carriage Assembly	1.0	EA	13,978.00
2	883001	DynaMc 28 Hand Pump 100/120V, 50/60Hz, 1Ph Facer Assembly (Effective to 12/22/09)	1.0	EA	7,224.00
2	899301	DynaMc 28 Hand Pump 100-120V, 50/60Hz, 1Ph Facer Assembly	1.0	EA	7,224.00
3	848709	Obsolete & Replaced by 901601 (Effective to 2/9/20)	1.0	EA	0.00
3	901601	28 DIPS 100-120V,50/60Hz Heater Assembly	1.0	EA	4,447.00
4	T801101	Facer Stand	1.0	EA	500.00

Please visit <https://fusion.mcelroy.com/parts> to purchase parts or for more information.

