

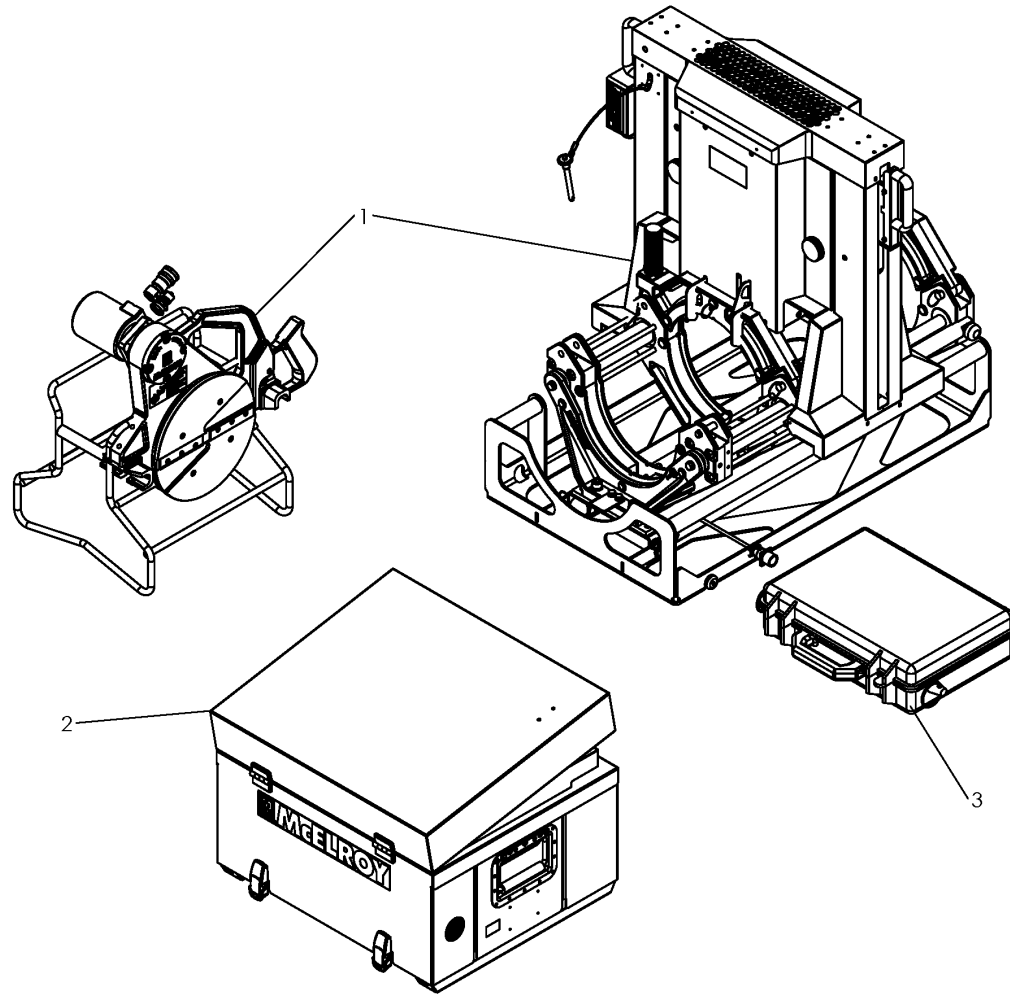


McElroy Manufacturing, Inc.
The leader by design.
Tulsa, Oklahoma U.S.A.

DRAWN: ARB CHECK: TKD APPRVD: SWB DATE: 5/19/09 SHT No: 1 REV No: A PART No: A887001

DynaMc 250 AUTOMATIC FUSION MACHINE PACKAGE

NOTE: THIS DRAWING AND THE INFORMATION CONTAINED THEREIN IS THE CONFIDENTIAL AND PROPRIETARY PROPERTY OF McElroy Manufacturing, Inc. THE DRAWING IS NOT TO BE REPRODUCED IN ANY MANNER, SUBMITTED TO OUTSIDE PARTIES FOR EXAMINATION, OR USED DIRECTLY OR INDIRECTLY FOR THE PURPOSES OTHER THAN THOSE FOR WHICH IT WAS FURNISHED WITHOUT WRITTEN PERMISSION OF McElroy Manufacturing, Inc.



McElroy Manufacturing Parts List

Part Number: A887001 DynaMc 250 Automatic 110-120V Fusion Machine Package

Part Number A887001 Component List

Item	Component	Description	Quantity	Unit	Price
1	887001	DynaMc 250 Automatic Fusion Machine Assembly	1.0	EA	0.00
2	1264901	DynaMc Automatic 110-120V, 50/60Hz, 1Ph HPU Assembly	1.0	EA	0.00
3	1266701	DynaMc Operator Control Box Assembly (Effective to 5/16/16)	1.0	EA	0.00
3	1266702	DynaMc Operator Control Box Assembly	1.0	EA	0.00
4	1271101	DynaMc Automatic 110-120V Hose & Cable Kit (Effective to 5/16/16)	1.0	EA	0.00
4	1271102	DM Auto Hose & Cable Kit	1.0	EA	0.00

Please visit <https://fusion.mcelroy.com/parts> to purchase parts or for more information.

