

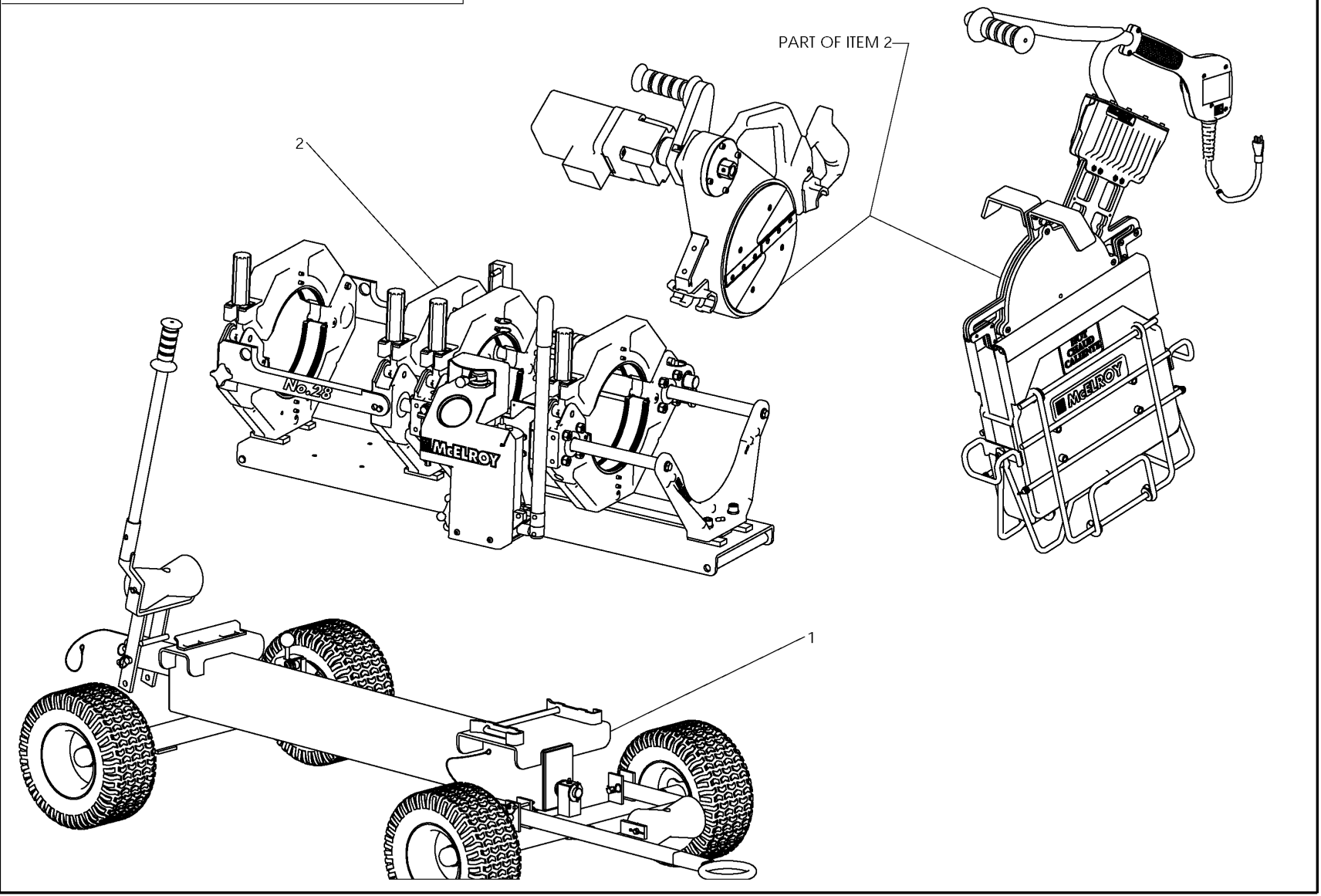


McElroy Manufacturing, Inc.
The leader by design.
Tulsa, Oklahoma U.S.A.

DRAWN: FAW CHECK: TKD APPRVD: DWP DATE: 3/09/10 SHT No: 1 REV No: PART No: A897601

ROLLING 28 HP FUSION MACHINE PACKAGE

NOTE: THIS DRAWING AND THE INFORMATION CONTAINED THEREIN IS THE CONFIDENTIAL AND PROPRIETARY PROPERTY OF McElroy Manufacturing, Inc. THE DRAWING IS NOT TO BE REPRODUCED IN ANY MANNER, SUBMITTED TO OUTSIDE PARTIES FOR EXAMINATION, OR USED DIRECTLY OR INDIRECTLY FOR THE PURPOSES OTHER THAN THOSE FOR WHICH IT WAS FURNISHED WITHOUT WRITTEN PERMISSION OF McElroy Manufacturing, Inc.



McElroy Manufacturing Parts List

Part Number: A897601 Rolling 28 Hand Pump Fusion Machine Package

Part Number A897601 Component List

Item	Component	Description	Quantity	Unit	Price
1	A897301	Rolling 28 Hand Pump Chassis Assembly Package	1.0	EA	6,248.00
2	A897201	Rolling 28 Hand Pump Carriage Assembly Package	1.0	EA	0.00

Please visit <https://fusion.mcelroy.com/parts> to purchase parts or for more information.

