

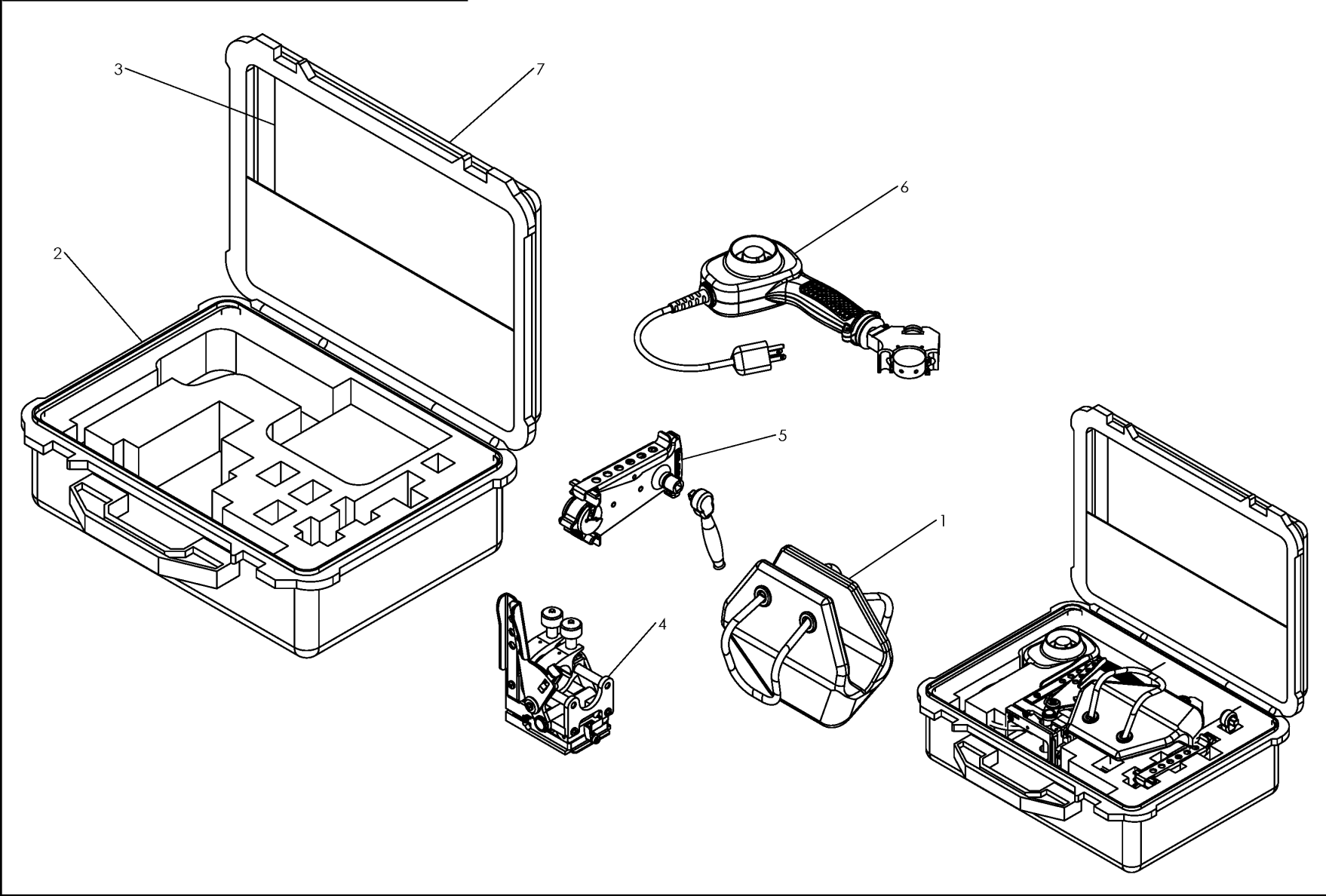


McElroy Manufacturing, Inc.  
The leader by design.  
Tulsa, Oklahoma U.S.A.

DRAWN: PJD	CHECK: DWP	APPRVD: JRP	DATE: 6/10/10	SHT No: 1	REV No: A	PART No: ACTS16001_02
------------	------------	-------------	---------------	-----------	-----------	-----------------------

### I LC FUSION MACHINE PACKAGE

NOTE: THIS DRAWING AND THE INFORMATION CONTAINED THEREIN IS THE CONFIDENTIAL AND PROPRIETARY PROPERTY OF McElroy Manufacturing, Inc. THE DRAWING IS NOT TO BE REPRODUCED IN ANY MANNER, SUBMITTED TO OUTSIDE PARTIES FOR EXAMINATION, OR USED DIRECTLY OR INDIRECTLY FOR THE PURPOSES OTHER THAN THOSE FOR WHICH IT WAS FURNISHED WITHOUT WRITTEN PERMISSION OF McElroy Manufacturing, Inc.



## McElroy Manufacturing Parts List

**Part Number:** ACTS16001 Replaced by ACTS23301 (1LC 120V Fusion Machine Package)

### Part Number ACTS16001 Component List

Item	Component	Description	Quantity	Unit	Price
1	CTS08301	MiniMc Heater Slings	1.0	EA	166.00
2	CTS15801	1LC Case W/foam Insr&lid Orgzr	1.0	EA	441.00
3	CTS15901	1LC Fusion Machine Operator's Manual	1.0	EA	78.80
4	CTS16001	1 LC Carriage Assembly	1.0	EA	1,971.00
5	CTS17601	1LC Facer Assembly	1.0	EA	1,608.00
6	CTS20101	Obsolete & Replaced by CTS24201	1.0	EA	0.00
7	CTS15701	1LC Case Label	1.0	EA	6.45

Please visit <https://fusion.mcelroy.com/parts> to purchase parts or for more information.

