

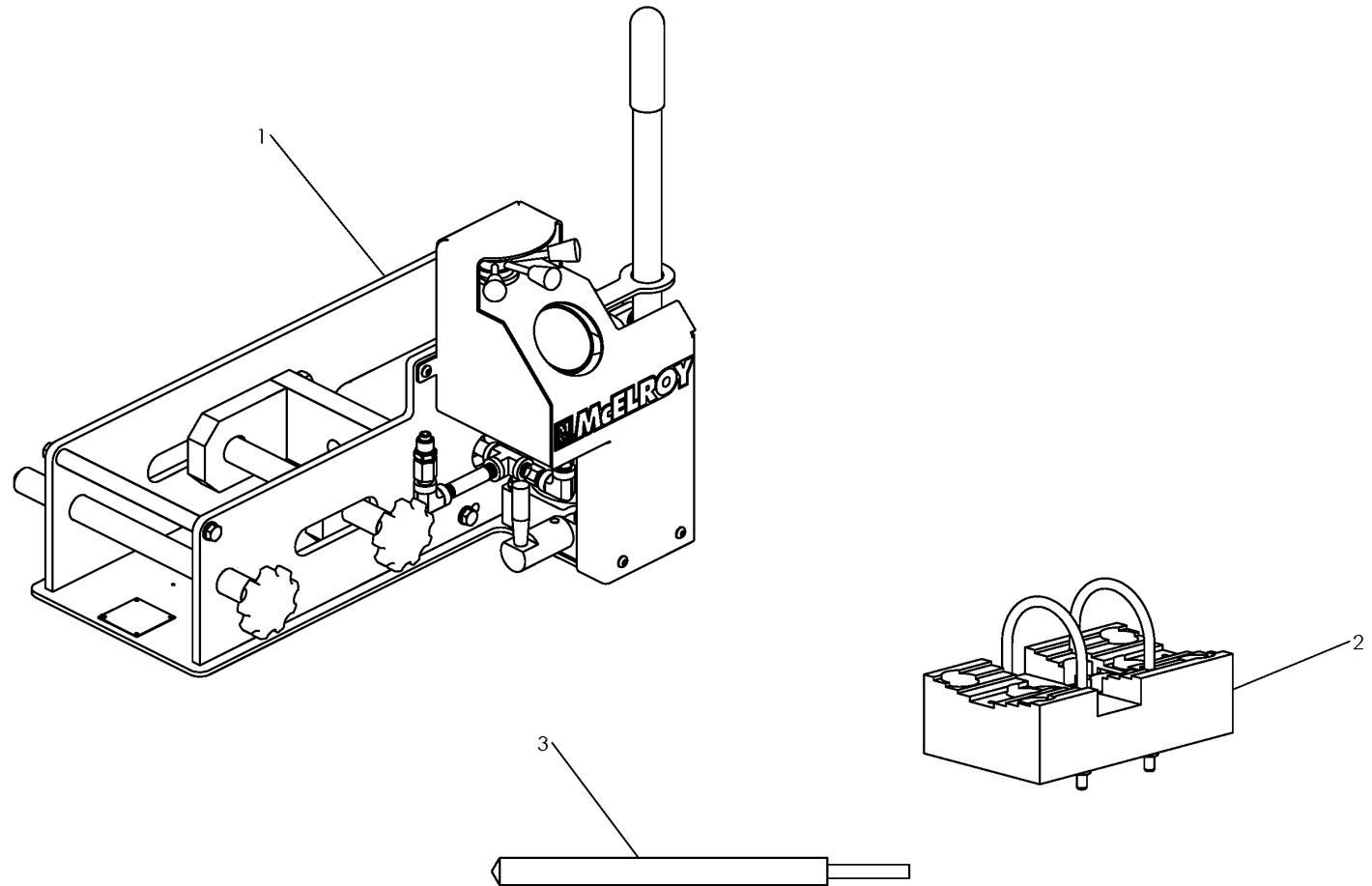


McElroy Manufacturing, Inc.  
The leader by design.  
Tulsa, Oklahoma U.S.A.

DRAWN: FAW    CHECK: TKD    APPRVD: JAL    DATE: 4/01/10    SHT No: 1    REV No: B    PART No: AS03501

IN FIELD TENSILE TESTER PACKAGE

NOTE: THIS DRAWING AND THE INFORMATION CONTAINED THEREIN IS THE CONFIDENTIAL AND PROPRIETARY PROPERTY OF McElroy Manufacturing, Inc. THE DRAWING IS NOT TO BE REPRODUCED IN ANY MANNER, SUBMITTED TO OUTSIDE PARTIES FOR EXAMINATION, OR USED DIRECTLY OR INDIRECTLY FOR THE PURPOSES OTHER THAN THOSE FOR WHICH IT WAS FURNISHED WITHOUT WRITTEN PERMISSION OF McElroy Manufacturing, Inc.



## McElroy Manufacturing Parts List

**Part Number:** AS03501 In Field Tensile Tester Package

### Part Number AS03501 Component List

Item	Component	Description	Quantity	Unit	Price
1	S03601	In Field Tensile Tester Assembly	1.0	EA	7,785.00
2	S04801	Field Coupon Drill Fixture Assembly	1.0	EA	2,091.00
3	MJL00074	1" X1/2" SH X12" LG Drill Bit	1.0	EA	643.00

Please visit <https://fusion.mcelroy.com/parts> to purchase parts or for more information.

