



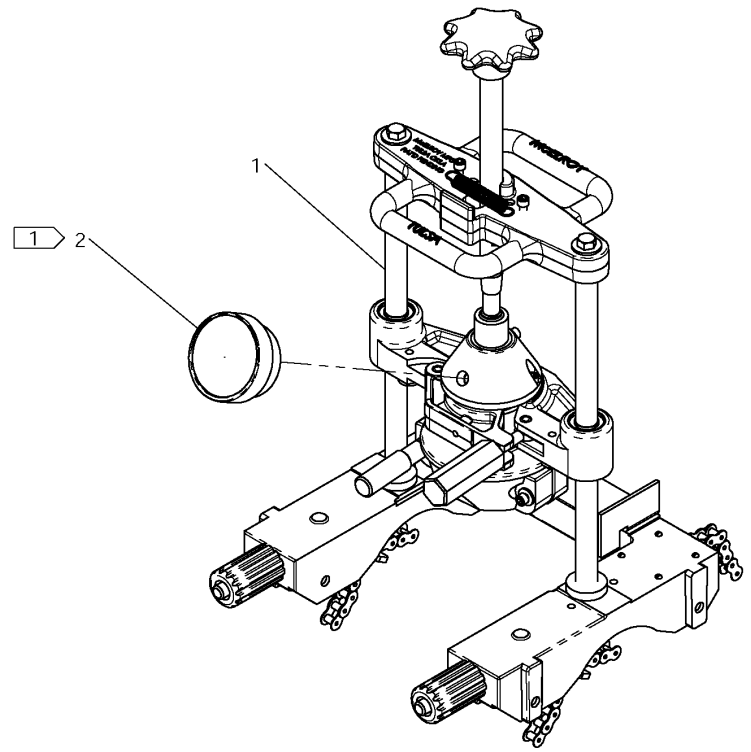
McElroy Manufacturing, Inc.
The leader by design.
Tulsa, Oklahoma U.S.A.

DRAWN: BWW CHECK: SWB APPRVD: SWB DATE: 10/25/05 SHT No: 1 REV No: B PART No: ASW00121

1000psi COMPACT CHAIN CLAMP SideWinder™ ASSEMBLY

NOTE: THIS DRAWING AND THE INFORMATION CONTAINED THEREIN IS THE CONFIDENTIAL AND PROPRIETARY PROPERTY OF McElroy Manufacturing, Inc. THE DRAWING IS NOT TO BE REPRODUCED IN ANY MANNER, SUBMITTED TO OUTSIDE PARTIES FOR EXAMINATION, OR USED DIRECTLY OR INDIRECTLY FOR THE PURPOSES OTHER THAN THOSE FOR WHICH IT WAS FURNISHED WITHOUT WRITTEN PERMISSION OF McElroy Manufacturing, Inc.

- NOTES:
1. FOR REPLACEMENT GAUGE ORDER KIT ASW13105, WHICH INCLUDES GAUGE AND INSTRUCTION SHEETS.



McElroy Manufacturing Parts List

Part Number: ASW00121 1000psi Compact Chain Clamp Sidewinder Assembly

Part Number ASW00121 Component List

Item	Component	Description	Quantity	Unit	Price
1	ASW00124	Compact Chain Clamp Sidewinder Assembly Less Gauge	1.0	EA	2,914.00
2	MEE00010	1000PSI/BAR,1% Pressure Gauge	1.0	EA	112.00

Please visit <https://fusion.mcelroy.com/parts> to purchase parts or for more information.

