

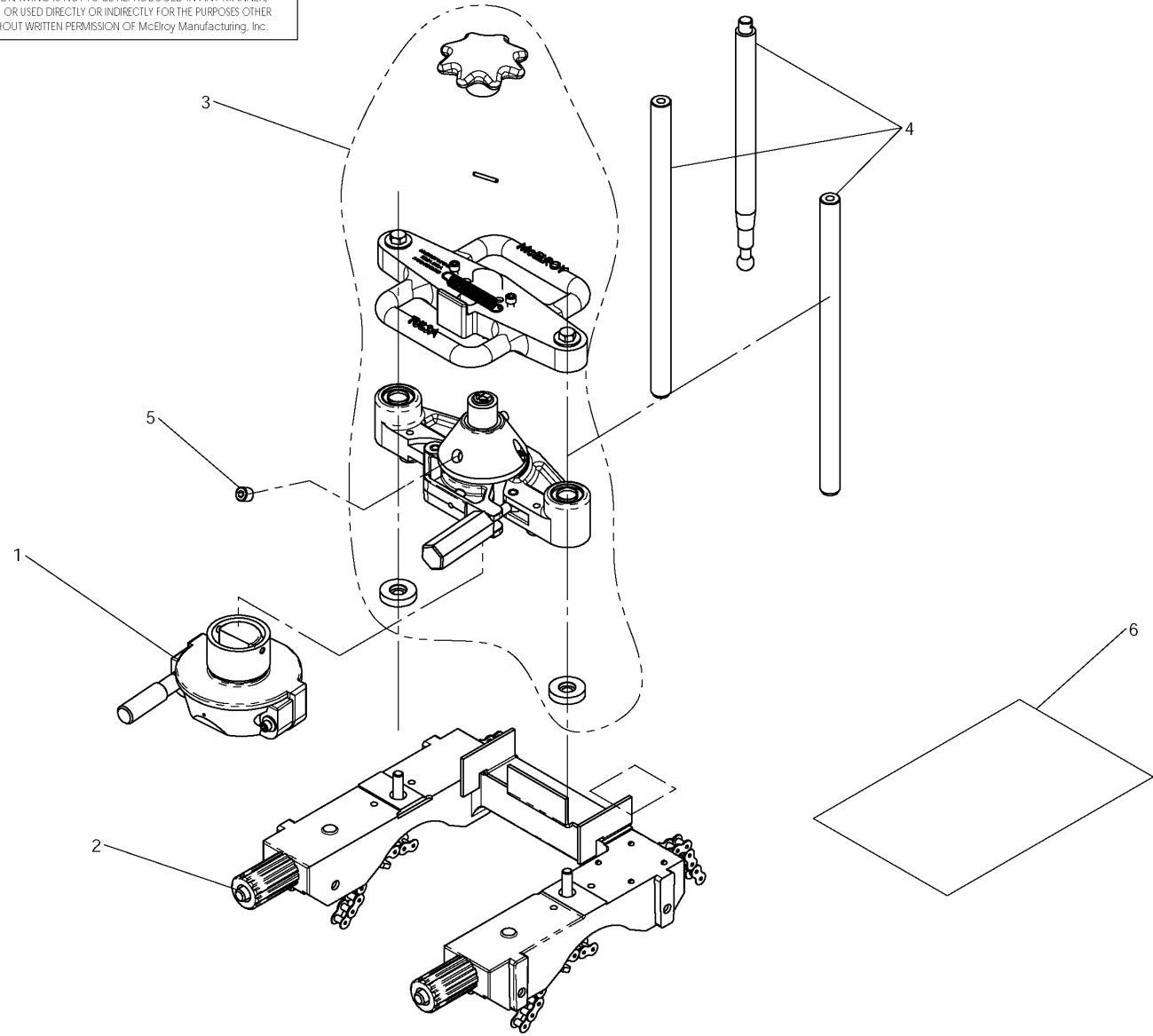


McElroy Manufacturing, Inc.
The leader by design.
Tulsa, Oklahoma U.S.A.

DRAWN: PJD CHECK: SWB APPRVD: SWB DATE: 2/18/10 SHT No: 1 REV No: PART No: ASW00124

COMPACT CHAIN CLAMP SideWinder™ ASSEMBLY LESS GAUGE

NOTE: THIS DRAWING AND THE INFORMATION CONTAINED THEREIN IS THE CONFIDENTIAL AND PROPRIETARY PROPERTY OF McElroy Manufacturing, Inc. THE DRAWING IS NOT TO BE REPRODUCED IN ANY MANNER, SUBMITTED TO OUTSIDE PARTIES FOR EXAMINATION, OR USED DIRECTLY OR INDIRECTLY FOR THE PURPOSES OTHER THAN THOSE FOR WHICH IT WAS FURNISHED WITHOUT WRITTEN PERMISSION OF McElroy Manufacturing, Inc.



McElroy Manufacturing Parts List

Part Number: ASW00124 Compact Chain Clamp Sidewinder Assembly Less Gauge

Part Number ASW00124 Component List

Item	Component	Description	Quantity	Unit	Price
1	SW04701	3ips Pivot Release Master Insert Assembly	1.0	EA	505.00
2	ASW10301	Sidewinder Chain Clamp Assembly	1.0	EA	1,176.00
3	SW13501	Sidewinder Common Components Assembly	1.0	EA	1,060.00
4	SW13602	Sidewinder Compact Guide Rod & Drive Screw Assembly	1.0	EA	629.00
5	MFA00007	4MPT Plug	1.0	EA	1.16
6	ASW07801	Screw/Driver Kit	1.0	EA	80.44

Please visit <https://fusion.mcelroy.com/parts> to purchase parts or for more information.

