



McElroy Manufacturing, Inc.  
The leader by design.  
Tulsa, Oklahoma U.S.A.

DRAWN: BWW

CHECK: SWB

APPRVD: SWB

DATE: 10/25/05

SHT No: 1

REV No: A

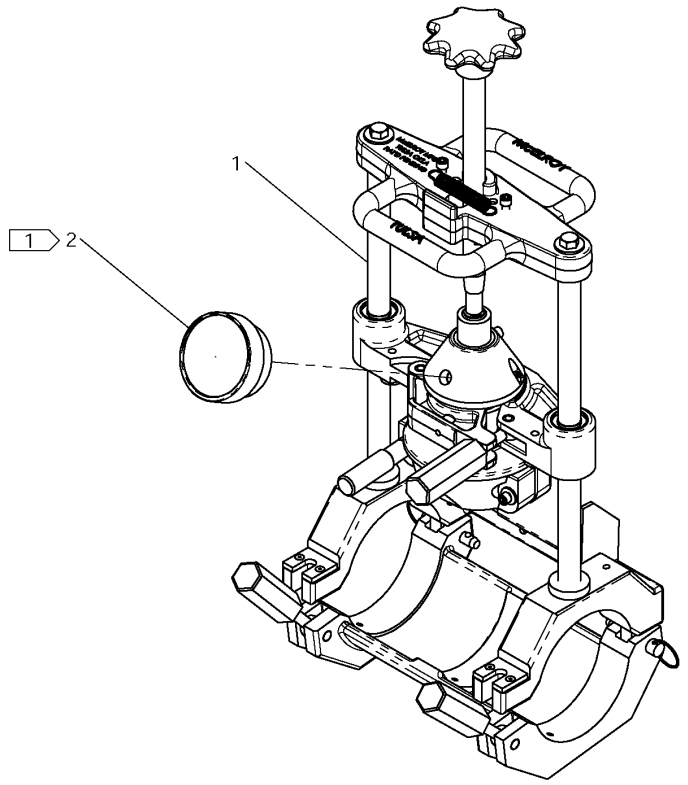
PART No: ASW00142

600psi COMPACT JAW CLAMP SideWinder™ ASSEMBLY

NOTE: THIS DRAWING AND THE INFORMATION CONTAINED THEREIN IS THE CONFIDENTIAL AND PROPRIETARY PROPERTY OF McElroy Manufacturing, Inc. THE DRAWING IS NOT TO BE REPRODUCED IN ANY MANNER, SUBMITTED TO OUTSIDE PARTIES FOR EXAMINATION, OR USED DIRECTLY OR INDIRECTLY FOR THE PURPOSES OTHER THAN THOSE FOR WHICH IT WAS FURNISHED WITHOUT WRITTEN PERMISSION OF McElroy Manufacturing, Inc.

NOTES:

- 1. FOR REPLACEMENT GAUGE ORDER KIT ASW13102, WHICH INCLUDES GAUGE AND INSTRUCTION SHEETS.



## McElroy Manufacturing Parts List

**Part Number:** ASW00142 600psi Compact Jaw Clamp Sidewinder Assembly

**Part Number ASW00142 Component List**

Item	Component	Description	Quantity	Unit	Price
1	ASW00144	Compact Jaw Clamp Sidewinder Assembly Less Gauge	1.0	EA	2,914.00
2	MEE00012	600PSI/BAR,1% Pressure Gauge	1.0	EA	112.00

Please visit <https://fusion.mcelroy.com/parts> to purchase parts or for more information.

