



McElroy Manufacturing, Inc.
The leader by design.
Tulsa, Oklahoma U.S.A.

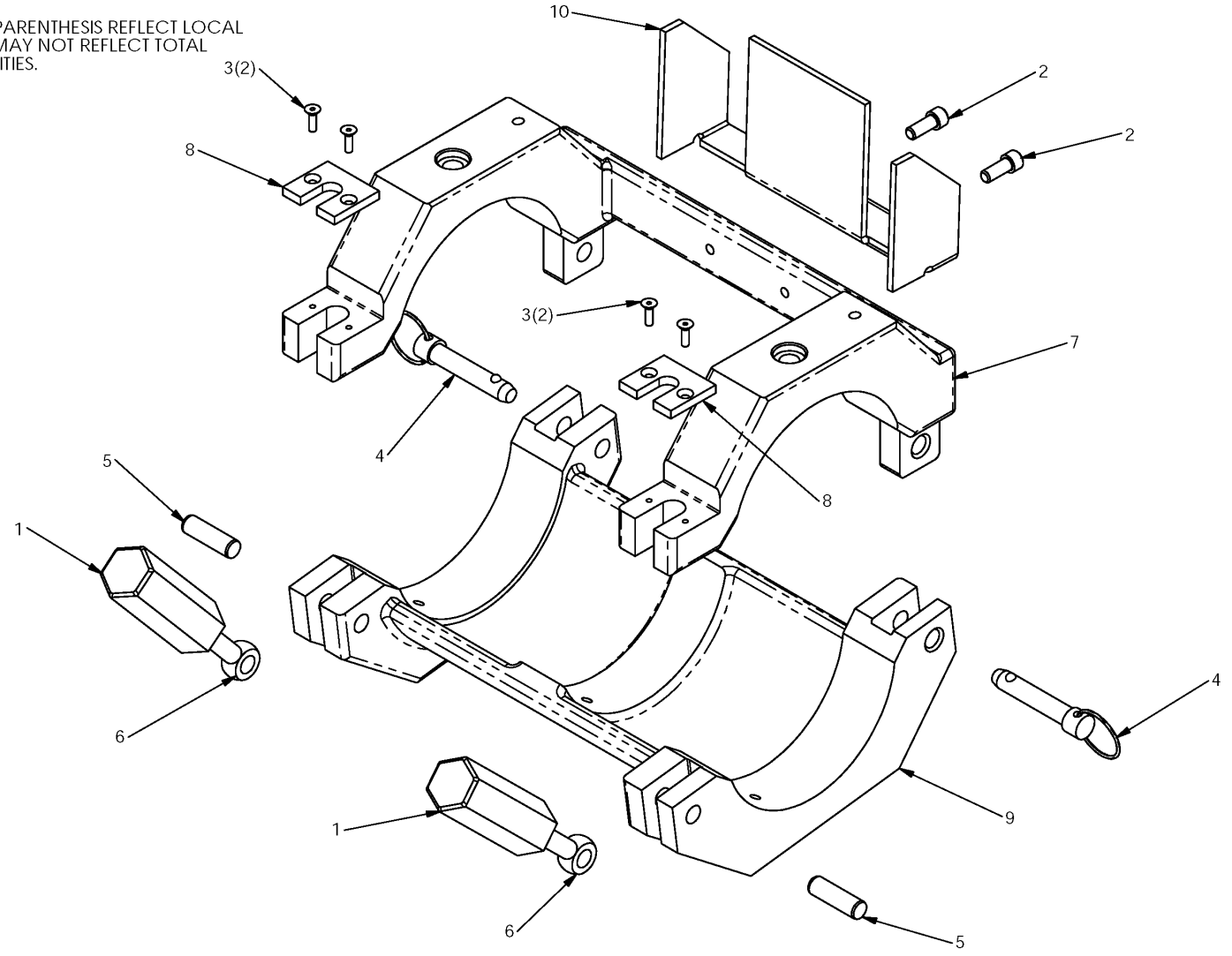
DRAWN: AH CHECK: TLW APPRVD: SWB DATE: 3/5/99 SHT No: 1 REV No: A PART No: ASW10201

Sidewinder™ JAW CLAMP ASSEMBLY

NOTE: THIS DRAWING AND THE INFORMATION CONTAINED THEREIN IS THE CONFIDENTIAL AND PROPRIETARY PROPERTY OF McElroy Manufacturing, Inc. THE DRAWING IS NOT TO BE REPRODUCED IN ANY MANNER, SUBMITTED TO OUTSIDE PARTIES FOR EXAMINATION, OR USED DIRECTLY OR INDIRECTLY FOR THE PURPOSES OTHER THAN THOSE FOR WHICH IT WAS FURNISHED WITHOUT WRITTEN PERMISSION OF McElroy Manufacturing, Inc.

NOTES:

- 1. ITEMS SHOWN IN PARENTHESIS REFLECT LOCAL QUANTITIES AND MAY NOT REFLECT TOTAL ASSEMBLY QUANTITIES.



McElroy Manufacturing Parts List

Part Number: ASW10201 Sidewinder Jaw Clamp Assembly

Part Number ASW10201 Component List

Item	Component	Description	Quantity	Unit	Price
1	A211501	Short Clamp Knob Assembly	2.0	EA	89.51
2	MAC00052	1/4-20NCX5/8LG Shcs PL	2.0	EA	0.49
3	MAD00012	#6-32NCX1/2LG Fhscs PL	4.0	EA	0.39
4	MCE00021	3/8DIAX1.50 Grip Detent Pin	2.0	EA	13.57
5	MCK00016	3/8DIAX1-1/4LG Lock Pin Stl PL	2.0	EA	3.76
6	MJB00001	3/8-16NCX3LG Eye Bolt	2.0	EA	21.52
7	SW09502	J/c SW Upper Jaw	1.0	EA	746.00
8	SW09503	J/c SW Upper Jaw Clamp Pad	2.0	EA	37.54
9	SW09602	J/c SW Lower Jaw	1.0	EA	715.00
10	SW09701	J/c SW Htr Guide	1.0	EA	90.52

Please visit <https://fusion.mcelroy.com/parts> to purchase parts or for more information.

