

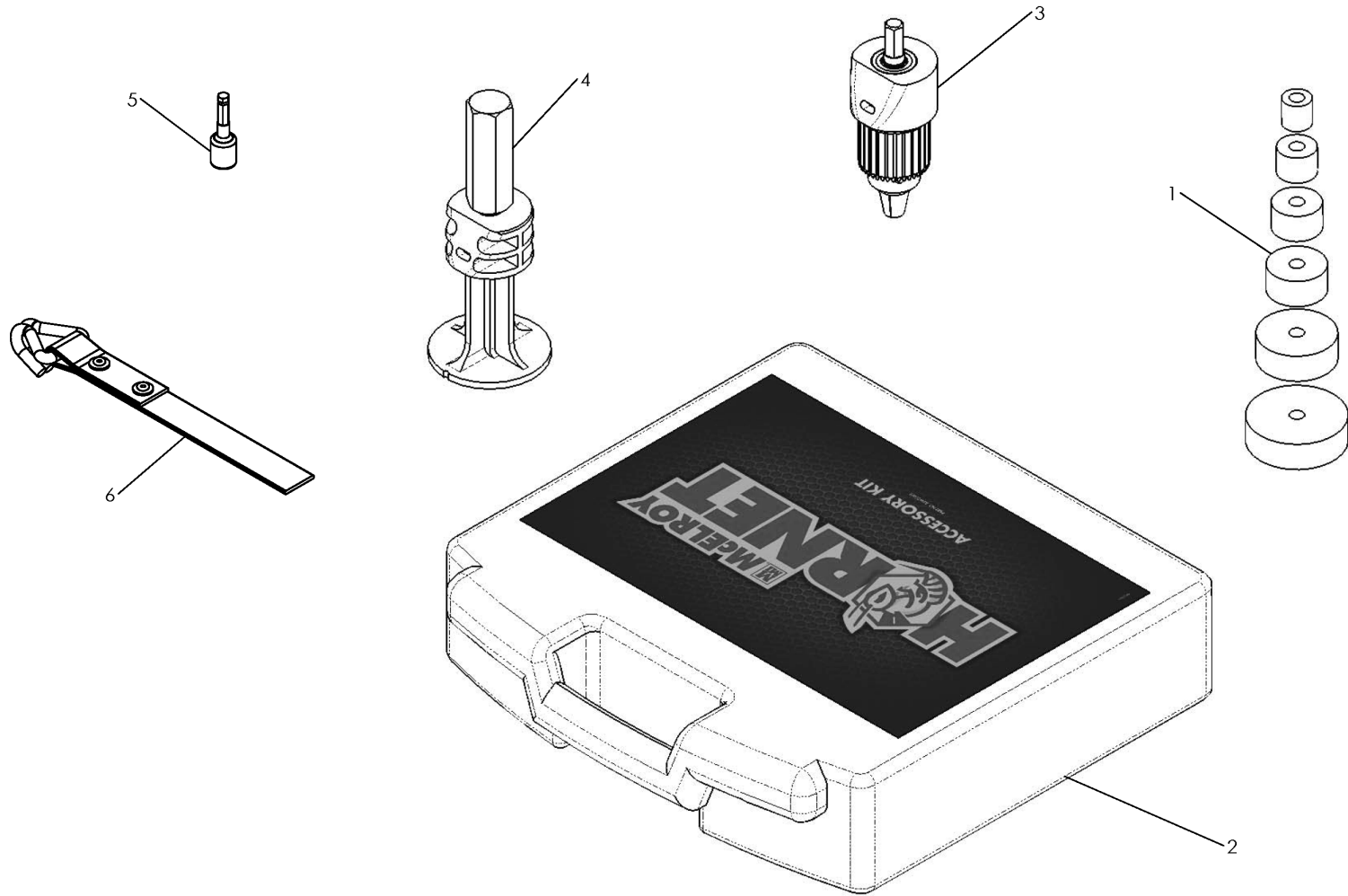


McElroy Manufacturing, Inc.
The leader by design.
Tulsa, Oklahoma U.S.A.

DRAWN: HECK CHECK: JBC APPRVD: PJD DATE: 2/8/17 SHT No: 1 REV No: B PART No: ASW27401

Hornet™ ACCESSORY KIT

NOTE: THIS DRAWING AND THE INFORMATION CONTAINED THEREIN IS THE CONFIDENTIAL AND PROPRIETARY PROPERTY OF McElroy Manufacturing, Inc. THE DRAWING IS NOT TO BE REPRODUCED IN ANY MANNER, SUBMITTED TO OUTSIDE PARTIES FOR EXAMINATION, OR USED DIRECTLY OR INDIRECTLY FOR THE PURPOSES OTHER THAN THOSE FOR WHICH IT WAS FURNISHED WITHOUT WRITTEN PERMISSION OF McElroy Manufacturing, Inc.



McElroy Manufacturing Parts List

Part Number: ASW27401 Hornet Accessory Kit

Part Number ASW27401 Component List

Item	Component	Description	Quantity	Unit	Price
1	ASW25601	Fitting Clamp Puck Kit	1.0	EA	19.79
2	SW24301	Hornet Accessory Case Assembly	1.0	EA	176.00
3	SW24801	Hornet Drill Adapter Assembly	1.0	EA	547.00
4	SW24901	Hornet Fitting Adapter Assembly	1.0	EA	506.00
5	MJL00128	7/16 X 1/4 Hex Nut Setter	1.0	EA	68.43
6	SW24201	Hornet Strap	1.0	EA	74.75

Please visit <https://fusion.mcelroy.com/parts> to purchase parts or for more information.

