



**McElroy Manufacturing, Inc.**  
 The leader by design.  
 Tulsa, Oklahoma U.S.A.

DRAWN: ARB

CHECK: SWB

APPRV'D: SWB

DATE: 9/11/07

DWG No:

SHT No:

REV No:

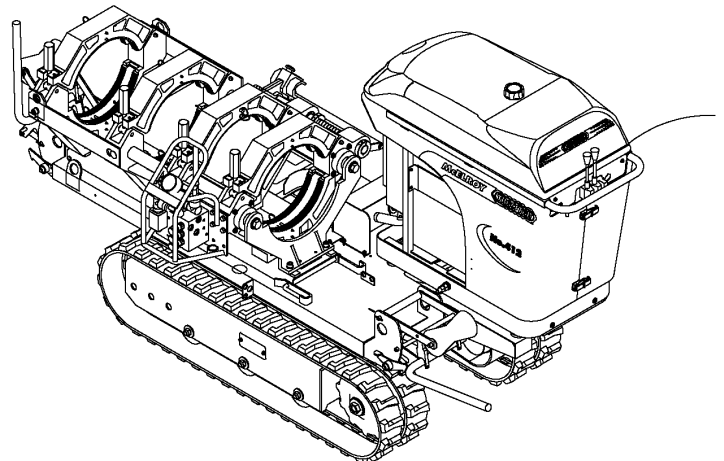
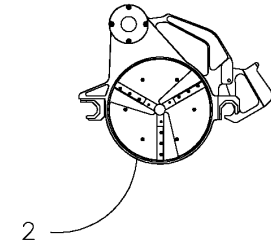
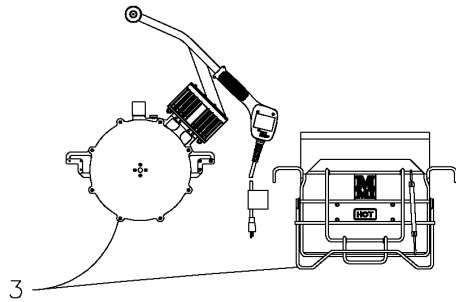
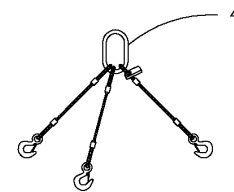
PART No:

TracStar 412 FUSION MACHINE GROUPING FOR AT1200100 PACKAGES

CAD No: \_PKGT12

NOTE: THIS DRAWING AND THE INFORMATION CONTAINED THEREIN IS THE CONFIDENTIAL AND PROPRIETARY PROPERTY OF McElroy Manufacturing, Inc. THE DRAWING IS NOT TO BE REPRODUCED IN ANY MANNER, SUBMITTED OUTSIDE PARTIES FOR EXAMINATION, OR USED DIRECTLY OR INDIRECTLY FOR THE PURPOSES OTHER THAN THOSE FOR WHICH IT WAS FURNISHED WITHOUT WRITTEN PERMISSION OF McElroy Manufacturing, Inc.

- 1 - T1200101 TracStar 412 MEDIUM FORCE FUSION MACHINE ASSEMBLY
- 1 - T1200102 TracStar 412 HIGH FORCE FUSION MACHINE ASSEMBLY
- 1 - T1200103 TracStar 412 LOW FORCE FUSION MACHINE ASSEMBLY
- 2 - T1200501 TracStar 412 FACER ASSEMBLY
- 3 - 1242112 #412 HEATER ASSEMBLY 220-240V, 50/60Hz, 1Ph
- 4 - T1201601 LIFTING SLING



## McElroy Manufacturing Parts List

**Part Number:** AT1200102 TracStar 412 HF Fusion Machine Package (Obsolete)

### Part Number AT1200102 Component List

Item	Component	Description	Quantity	Unit	Price
1	T1200102	TracStar 412 HF Fusion Machine Assembly	1.0	EA	0.00
2	T1200501	TracStar 412 Facer Assembly	1.0	EA	9,794.00
3	1242112	Obsolete & Replaced by 1284501	1.0	EA	0.00
4	T1201601	Lifting Slings	1.0	EA	860.00

Please visit <https://fusion.mcelroy.com/parts> to purchase parts or for more information.

