

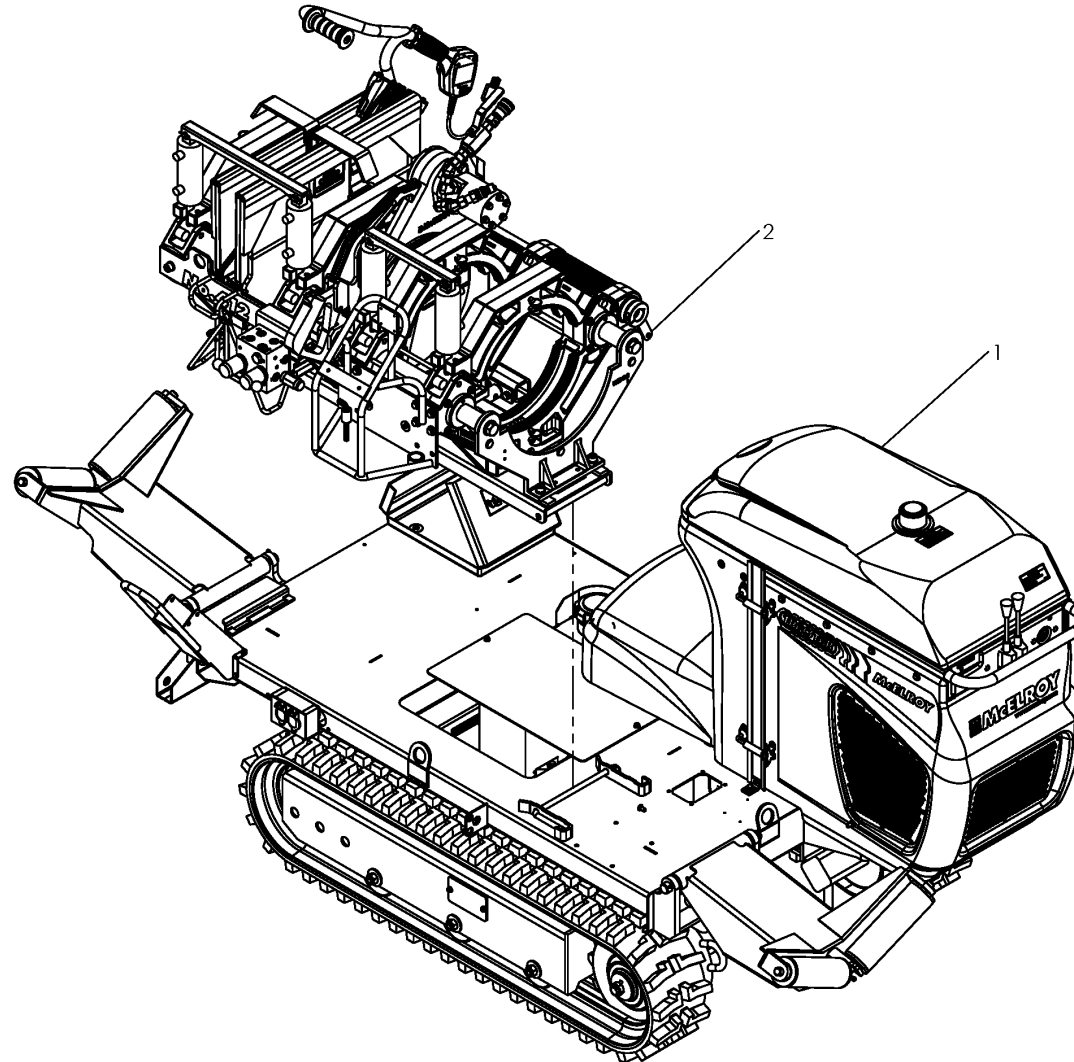


McElroy Manufacturing, Inc.  
The leader by design.  
Tulsa, Oklahoma U.S.A.

DRAWN: ERA    CHECK: TKD    APPRVD: MRP    DATE: 11/16/11    SHT No: 1    REV No:    PART No: AT1212900HC

TracStar® 412 HYDRAULIC CLAMPING FUSION MACHINE PACKAGE

NOTE: THIS DRAWING AND THE INFORMATION CONTAINED THEREIN IS THE CONFIDENTIAL AND PROPRIETARY PROPERTY OF McElroy Manufacturing, Inc. THE DRAWING IS NOT TO BE REPRODUCED IN ANY MANNER, SUBMITTED TO OUTSIDE PARTIES FOR EXAMINATION, OR USED DIRECTLY OR INDIRECTLY FOR THE PURPOSES OTHER THAN THOSE FOR WHICH IT WAS FURNISHED WITHOUT WRITTEN PERMISSION OF McElroy Manufacturing, Inc.



### McElroy Manufacturing Parts List

**Part Number:** AT1212901HC Obsolete & Replaced by AT1223601HC (TracStar 412 Hydraulic Clamping MF Fusion Machine Package)

**Part Number AT1212901HC Component List**

Item	Component	Description	Quantity	Unit	Price
1	AT1816501	Obsolete & Replaced by AT1830101	1.0	EA	0.00
2	AT1213001HC	PitBull 412 Hydraulic Clamping MF Fusion Machine Package	1.0	EA	0.00

Please visit <https://fusion.mcelroy.com/parts> to purchase parts or for more information.

