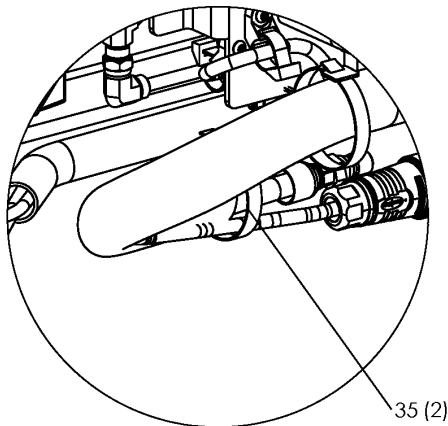
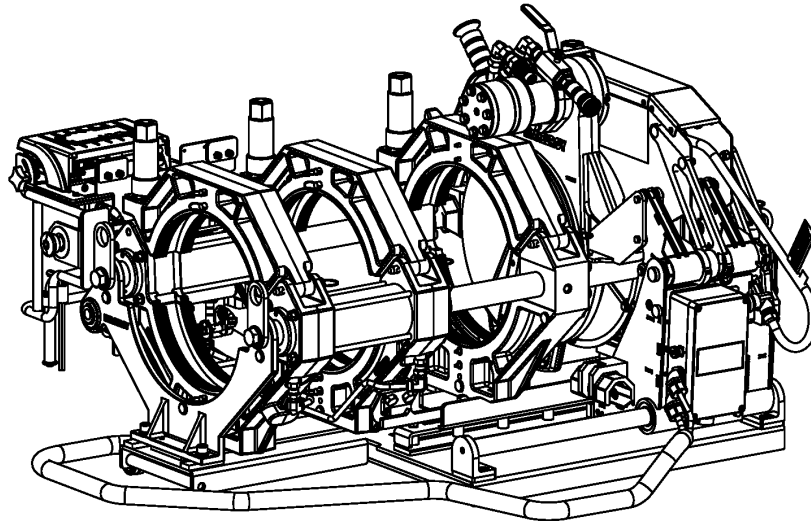


## Pit Bull® 412i HIGH FORCE FUSION MACHINE PACKAGE

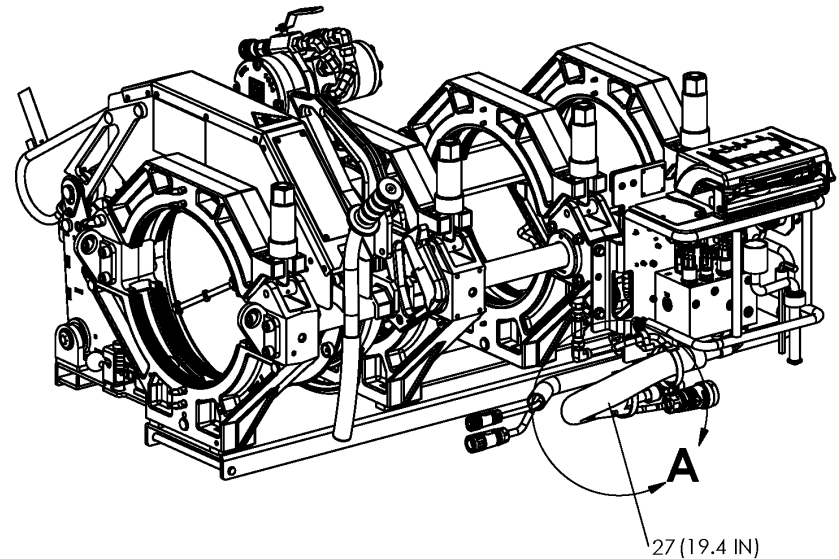
NOTE: THIS DRAWING AND THE INFORMATION CONTAINED THEREIN IS THE CONFIDENTIAL AND PROPRIETARY PROPERTY OF McElroy Manufacturing, Inc. THE DRAWING IS NOT TO BE REPRODUCED IN ANY MANNER, SUBMITTED TO OUTSIDE PARTIES FOR EXAMINATION, OR USED DIRECTLY OR INDIRECTLY FOR THE PURPOSES OTHER THAN THOSE FOR WHICH IT WAS FURNISHED WITHOUT WRITTEN PERMISSION OF McElroy Manufacturing, Inc.

### NOTES:

1. COMPONENTS MAY BE HIDDEN FROM VIEWS FOR CLARITY.
2. INSTALL WITH MEDIUM STRENGTH THREAD LOCKER.
3. INSTALL WITH HIGH TEMPERATURE ANTI-SEIZE COMPOUND.
4. LUBRICATE HYDRAULIC FITTING THREADS AND O-RINGS BEFORE ASSEMBLY.
5. TORQUE VALUES LISTED ARE MINIMUM, TOLERANCE -0/+10%.
6. ITEMS SHOWN IN PARENTHESIS REFLECT QUANTITIES IN A LOCAL GROUP AND MAY NOT INDICATE TOTAL ASSEMBLY QUANTITIES.
7. SEE DRAWING T18P1015528 FOR ELECTRICAL SCHEMATIC.
8. SEE DRAWING T18P1020924 FOR HYDRAULIC SCHEMATIC.

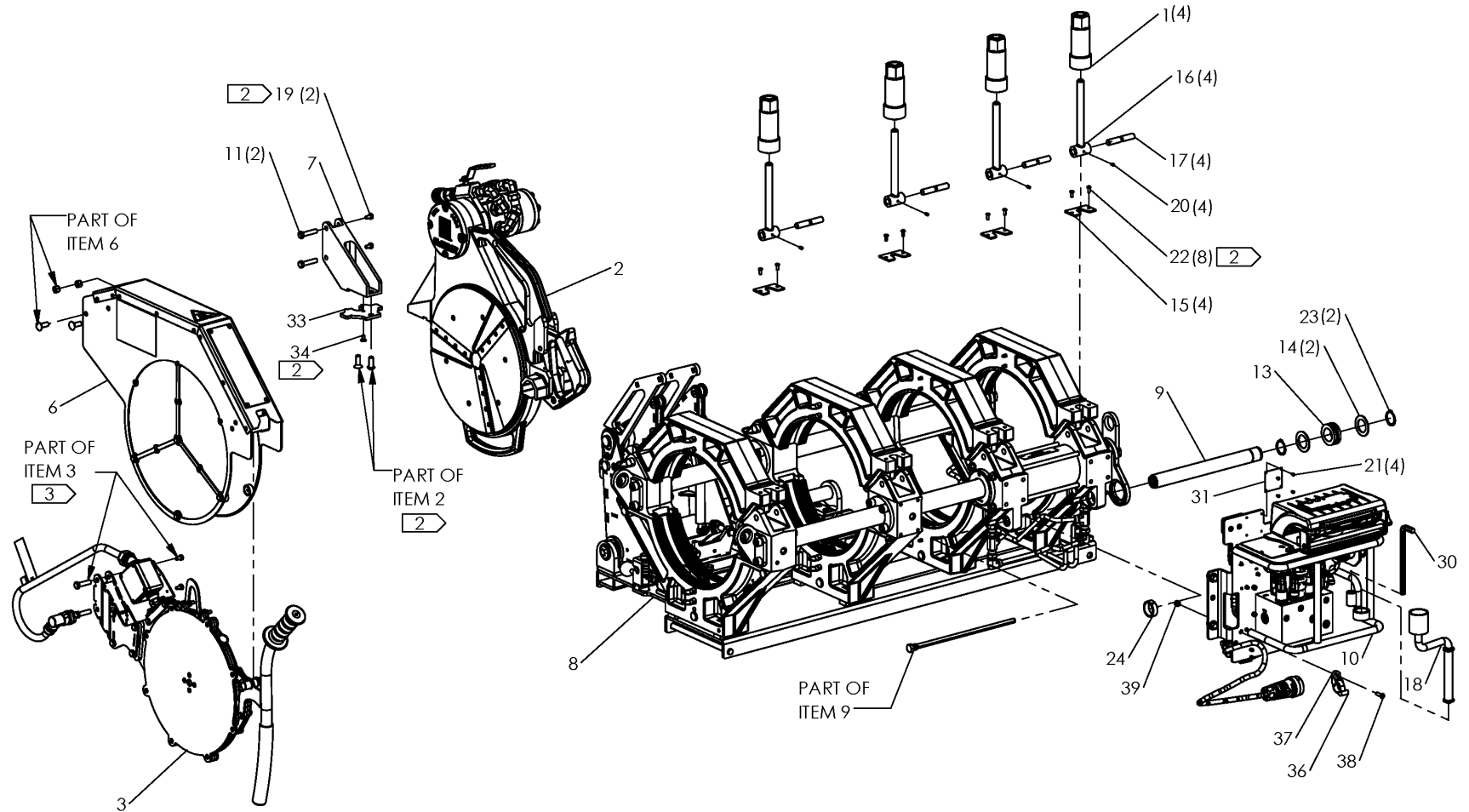


**DETAIL A**



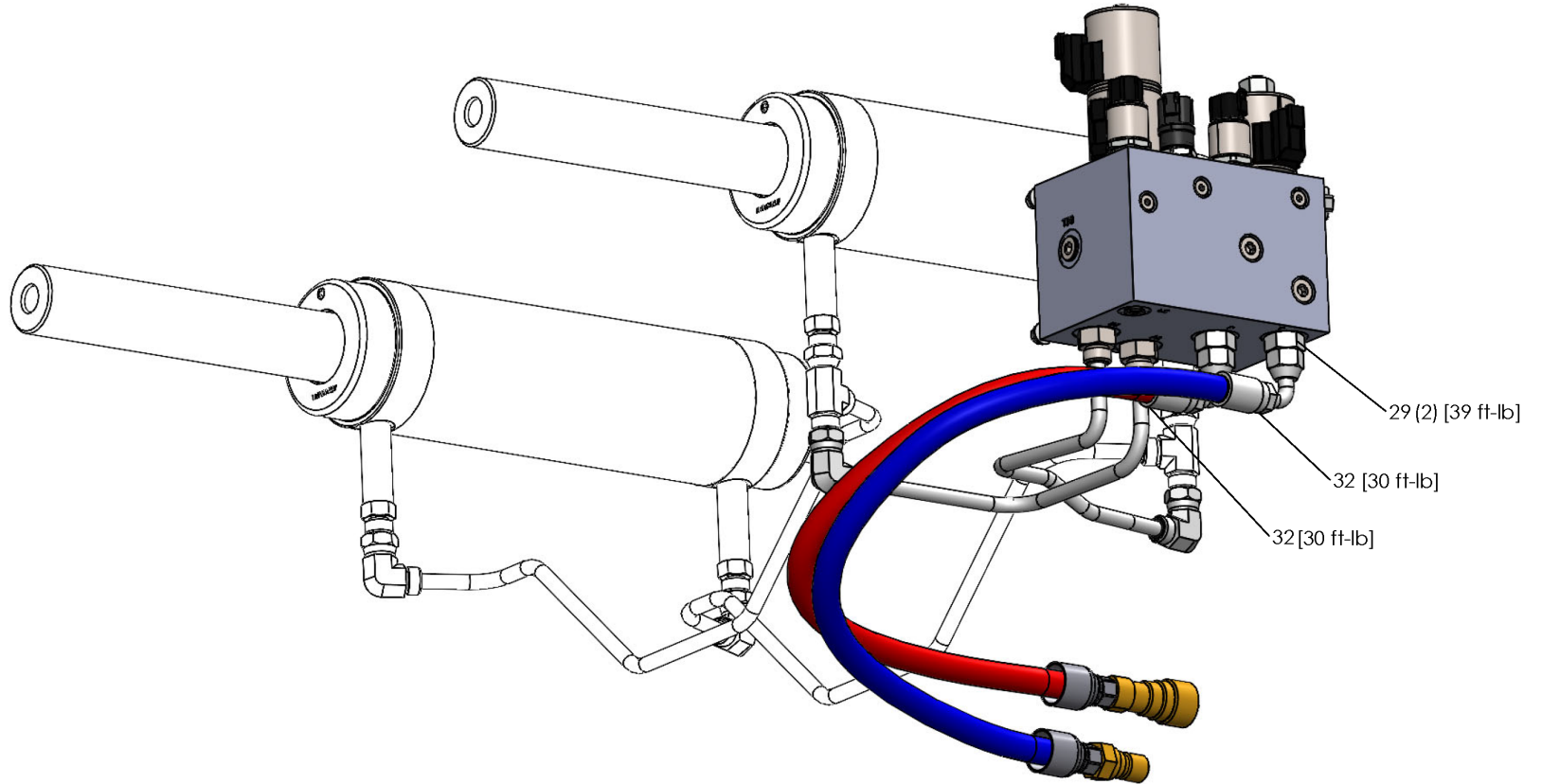
## Pit Bull® 412i HIGH FORCE FUSION MACHINE PACKAGE

NOTE: THIS DRAWING AND THE INFORMATION CONTAINED THEREIN IS THE CONFIDENTIAL AND PROPRIETARY PROPERTY OF McElroy Manufacturing, Inc. THE DRAWING IS NOT TO BE REPRODUCED IN ANY MANNER, SUBMITTED TO OUTSIDE PARTIES FOR EXAMINATION, OR USED DIRECTLY OR INDIRECTLY FOR THE PURPOSES OTHER THAN THOSE FOR WHICH IT WAS FURNISHED WITHOUT WRITTEN PERMISSION OF McElroy Manufacturing, Inc.



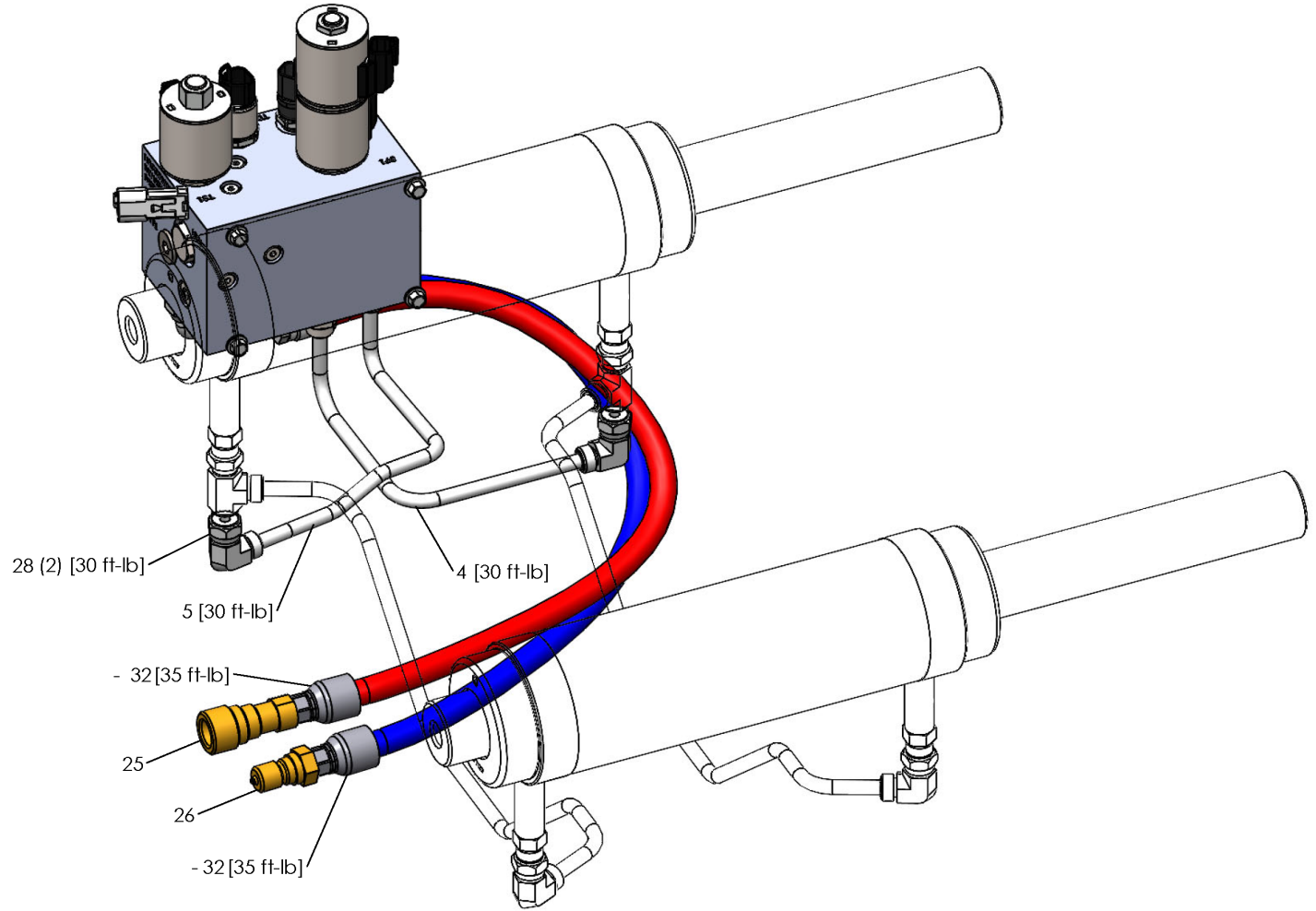
## Pit Bull® 412i HIGH FORCE FUSION MACHINE PACKAGE

NOTE: THIS DRAWING AND THE INFORMATION CONTAINED HEREIN IS THE CONFIDENTIAL AND PROPRIETARY PROPERTY OF McElroy Manufacturing, Inc. THE DRAWING IS NOT TO BE REPRODUCED IN ANY MANNER, SUBMITTED TO OUTSIDE PARTIES FOR EXAMINATION, OR USED DIRECTLY OR INDIRECTLY FOR THE PURPOSES OTHER THAN THOSE FOR WHICH IT WAS FURNISHED WITHOUT WRITTEN PERMISSION OF McElroy Manufacturing, Inc.



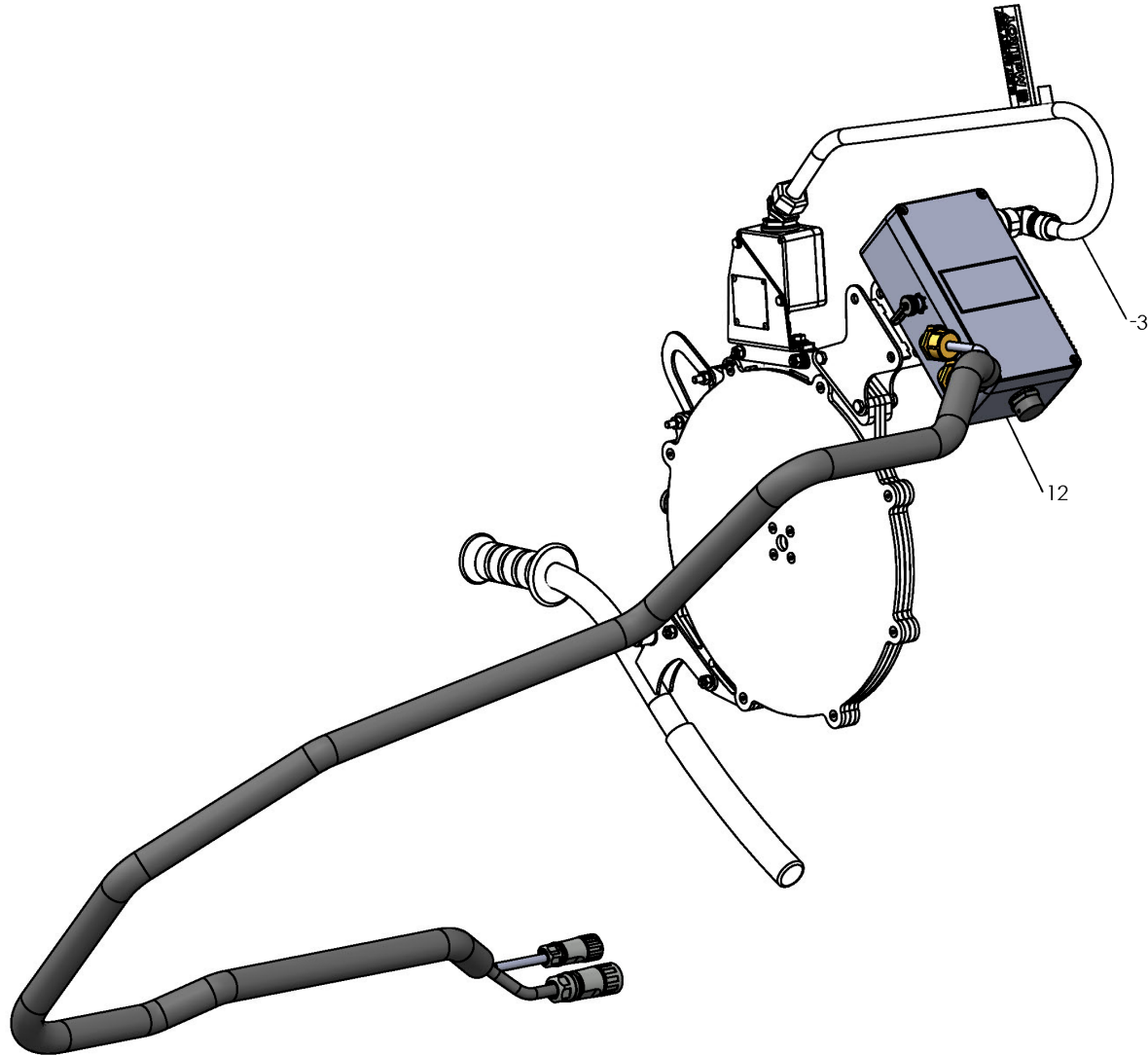
## Pit Bull® 412i HIGH FORCE FUSION MACHINE PACKAGE

NOTE: THIS DRAWING AND THE INFORMATION CONTAINED HEREIN IS THE CONFIDENTIAL AND PROPRIETARY PROPERTY OF McElroy Manufacturing, Inc. THE DRAWING IS NOT TO BE REPRODUCED IN ANY MANNER, SUBMITTED TO OUTSIDE PARTIES FOR EXAMINATION, OR USED DIRECTLY OR INDIRECTLY FOR THE PURPOSES OTHER THAN THOSE FOR WHICH IT WAS FURNISHED WITHOUT WRITTEN PERMISSION OF McElroy Manufacturing, Inc.



## Pit Bull® 412i HIGH FORCE FUSION MACHINE PACKAGE

NOTE: THIS DRAWING AND THE INFORMATION CONTAINED HEREIN IS THE CONFIDENTIAL AND PROPRIETARY PROPERTY OF McElroy Manufacturing, Inc. THE DRAWING IS NOT TO BE REPRODUCED IN ANY MANNER, SUBMITTED TO OUTSIDE PARTIES FOR EXAMINATION, OR USED DIRECTLY OR INDIRECTLY FOR THE PURPOSES OTHER THAN THOSE FOR WHICH IT WAS FURNISHED WITHOUT WRITTEN PERMISSION OF McElroy Manufacturing, Inc.



## McElroy Manufacturing Parts List

**Part Number:** AT12P1011803 Pit Bull 412i High Force Fusion Machine Package

**Part Number AT12P1011803 Component List**

Item	Component	Description	Quantity	Unit	Price
1	A1226203	Clamp Knob Assembly	4.0	EA	177.00
2	T1200501	TracStar 412 Facer Assembly	1.0	EA	9,794.00
3	T12P0706665	Obsolete & Replaced by T12P1099296 (Effective to 5/21/26)	1.0	EA	0.00
3	T12P1099296	412 220-240V, 50/60Hz, 1Ph Heater Assembly	1.0	EA	4,383.00
4	T12P1006429	412 A1 Port-cyl Tube Assy	1.0	EA	92.28
5	T12P1006431	412 B1 Port-cyl Tube Assy	1.0	EA	121.00
6	T12P1011357	412 Heater Bag Frame	1.0	EA	692.00
7	T12P1021138	412 Facer Arm (Effective to 9/19/24)	1.0	EA	333.00
7	T12P1039135	412 Facer Arm	1.0	EA	719.00
8	T12P1031485	412 High Force 4 Jaw Carriage Assembly	1.0	EA	0.00
9	T18P0985093	Carriage Transducer Assembly	1.0	EA	1,240.00
10	T18P0998676	TracStar 412i & 618i Carriage Control Assembly	1.0	EA	0.00
11	T18P1023080	412/618 Facer Shoulder Nut	2.0	EA	23.10
12	T18P1017420	412i / 618i Heater Control Assembly (Effective to 2/4/25)	1.0	EA	2,021.00
12	T18P1051490	412i/618i Heater Control Assembly	1.0	EA	1,918.00
13	T48P0810875	Indexer Transducer Bushing	1.0	EA	19.90
14	T48P0843680	Indexer Trnsdcr Bushing Washer	2.0	EA	7.10
15	1210501	Clamp Pad	4.0	EA	29.31
16	1217101	Eyebolt	4.0	EA	97.38
17	1226501	.500" X 3" Jaw Pivot Pin	4.0	EA	25.24
18	1818501	12/18 Speed Wrench Assy	1.0	EA	231.00
19	MAN00097	1/4-20NCX1/2LG Hhcs SS	2.0	EA	0.30
20	MAGP1030623	Replaced by MAGP1048538 (Effective to 1/8/25)	4.0	EA	0.00
20	MAGP1048538	#10-24NCX3/8LG Skt Set Scr SS	4.0	EA	0.66
21	MAH00006	#6X1/4LG Drv Scr	4.0	EA	0.31
22	MAN00062	#10-24NCX1/2 LG Bhscs SS	8.0	EA	0.29
23	MCBP0886175	1-1/4 Ext Retaining Ring St PL	2.0	EA	1.57
24	MDMP0983087	1-1/2" X 1/2" X 1/8" Wear Ring	1.0	EA	0.00
25	MFH00043	3/8 Fsae Quick Disc Coupler	1.0	EA	58.19
26	MFH00044	3/8 Fsae Quick Disc Nipple	1.0	EA	29.01
27	MFL00042	1.85 ID Hose Sleeve	1.617	FT	8.12
28	MFQ00009	6MSL/6FSL Swivel Elbow	2.0	EA	19.65
29	MFQ00061	6MSL/8MSAE Adapter	2.0	EA	10.24
30	MJL00018	3/8 Hex Key Wrench-long Ser PL	1.0	EA	12.26
31	N1AT12P1011803	Nameplate	1.0	EA	0.00
32	SLBDDJD035	Hose Assy Oal 35" (Effective to 11/10/24)	2.0	EA	79.70
32	SLBDDJD027	Hose Assy Oal 27"	2.0	EA	75.63
33	T12P1039141	412 Facer Arm Standoff (Effective 9/20/24 to 10/24/24)	1.0	EA	29.75
33	T12P1044373	412 Facer Arm Stop	1.0	EA	92.18
34	MAD00277	1/4-20NCX1/2LG Fhscs PL	1.0	EA	0.77
35	MLNP1042967	11" X .5" Velcro Strap	2.0	EA	0.00
36	MLNP0974431	9" X .50" Cable Tie	1.0	EA	2.36
37	MLNP0974418	1/2" Cable Tie Mount .25" Hole	1.0	EA	2.76
38	MAE00036	1/4-20NCX7/8LG Bhscs PL	1.0	EA	0.00
39	MBC00005	1/4-20NC Fnsh Hex Nyl Lck Nut	1.0	EA	0.39

Please visit <https://fusion.mcelroy.com/parts> to purchase parts or for more information.