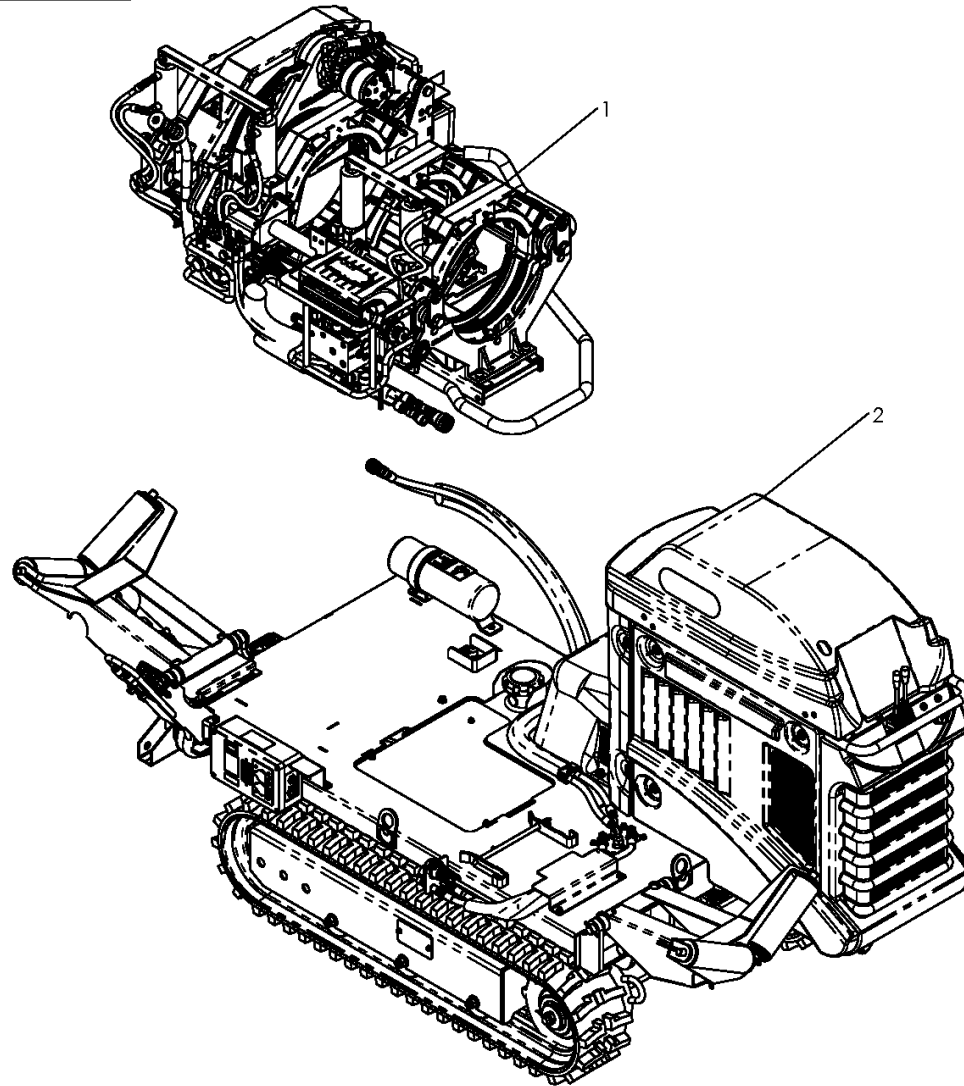




DRAWN: TVO	CHECK: SPA	APPRVD: JBC	DATE: 08/14/2024	SHT No: 1 of 2	REV No: -	PART No: AT12P1011821
------------	------------	-------------	------------------	----------------	-----------	-----------------------

TracStar® 412i HYDRAULIC CLAMPING MEDIUM FORCE FUSION MACHINE PACKAGE

NOTE: THIS DRAWING AND THE INFORMATION CONTAINED THEREIN IS THE CONFIDENTIAL AND PROPRIETARY PROPERTY OF McElroy Manufacturing, Inc. THE DRAWING IS NOT TO BE REPRODUCED IN ANY MANNER, SUBMITTED TO OUTSIDE PARTIES FOR EXAMINATION, OR USED DIRECTLY OR INDIRECTLY FOR THE PURPOSES OTHER THAN THOSE FOR WHICH IT WAS FURNISHED WITHOUT WRITTEN PERMISSION OF McElroy Manufacturing, Inc.



McElroy Manufacturing Parts List

Part Number: AT12P1011821 TracStar 412i Hydraulic Clamping Medium Force Fusion Machine Package

Part Number AT12P1011821 Component List

Item	Component	Description	Quantity	Unit	Price
1	AT12P1011809	Pit Bull 412i Hydraulic Clamping Medium Force Fusion Machine Package	1.0	EA	61,150.00
2	AT18P1011851	TracStar 28/250/412i/618i Track Vehicle Package	1.0	EA	42,170.00

Please visit <https://fusion.mcelroy.com/parts> to purchase parts or for more information.

