

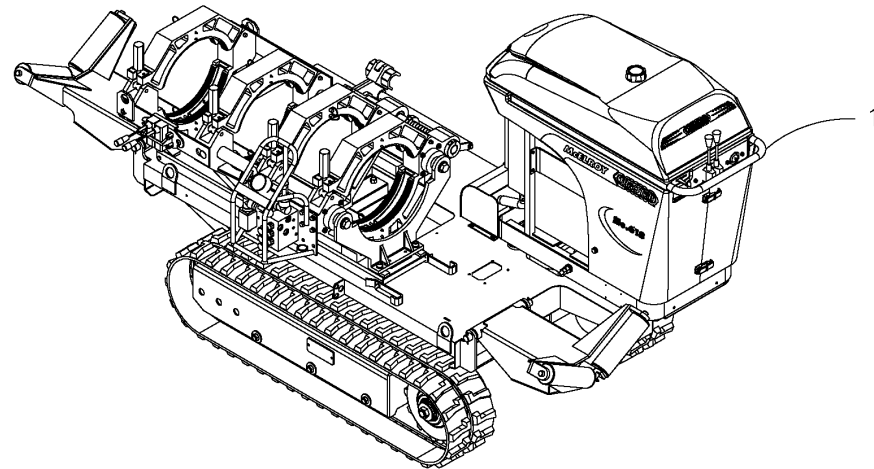
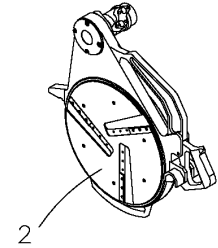
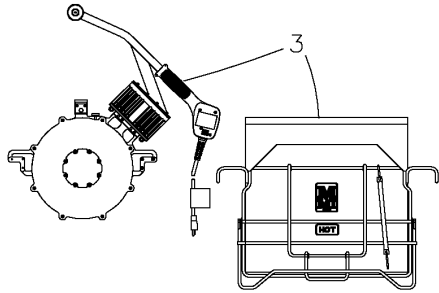
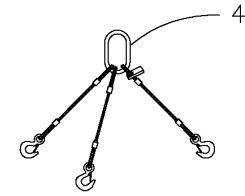


McElroy Manufacturing, Inc.
 The leader by design.
 Tulsa, Oklahoma U.S.A.

DRAWN: ARB	CHECK: SWB	APPRV'D: SWB	DATE: 9/11/07	DWG No:	SHT No:	REV No:	PART No:
TracStar 618 FUSION MACHINE GROUPING FOR AT1800100 PACKAGES							CAD No: _PKGT18

NOTE: THIS DRAWING AND THE INFORMATION CONTAINED THEREIN IS THE CONFIDENTIAL AND PROPRIETARY PROPERTY OF McElroy Manufacturing, Inc. THE DRAWING IS NOT TO BE REPRODUCED IN ANY MANNER, SUBMITTED OUTSIDE PARTIES FOR EXAMINATION, OR USED DIRECTLY OR INDIRECTLY FOR THE PURPOSES OTHER THAN THOSE FOR WHICH IT WAS FURNISHED WITHOUT WRITTEN PERMISSION OF McElroy Manufacturing, Inc.

- 1 - T1800101 TracStar 618 MEDIUM FORCE FUSION MACHINE ASSEMBLY
- 1 - T1800102 TracStar 618 HIGH FORCE FUSION MACHINE ASSEMBLY
- 1 - T1800103 TracStar 618 LOW FORCE FUSION MACHINE ASSEMBLY
- 2 - T1800501 TracStar 618 FACER ASSEMBLY
- 3 - 1852019 #618 HEATER ASSEMBLY (12"/18") 220-240V,50/60Hz,1Ph
- 4 - T1201601 LIFTING SLING



McElroy Manufacturing Parts List

Part Number: AT1800103 TracStar 618 LF Fusion Machine Package (Obsolete)

Part Number AT1800103 Component List

Item	Component	Description	Quantity	Unit	Price
1	T1800103	TracStar 618 LF Fusion Machine Assembly	1.0	EA	0.00
2	T1800501	TracStar 618 Facer Assembly	1.0	EA	17,778.00
3	1852019	Obsolete & Replaced by 1853401	1.0	EA	0.00
4	T1201601	Lifting Sling	1.0	EA	860.00

Please visit <https://fusion.mcelroy.com/parts> to purchase parts or for more information.

