

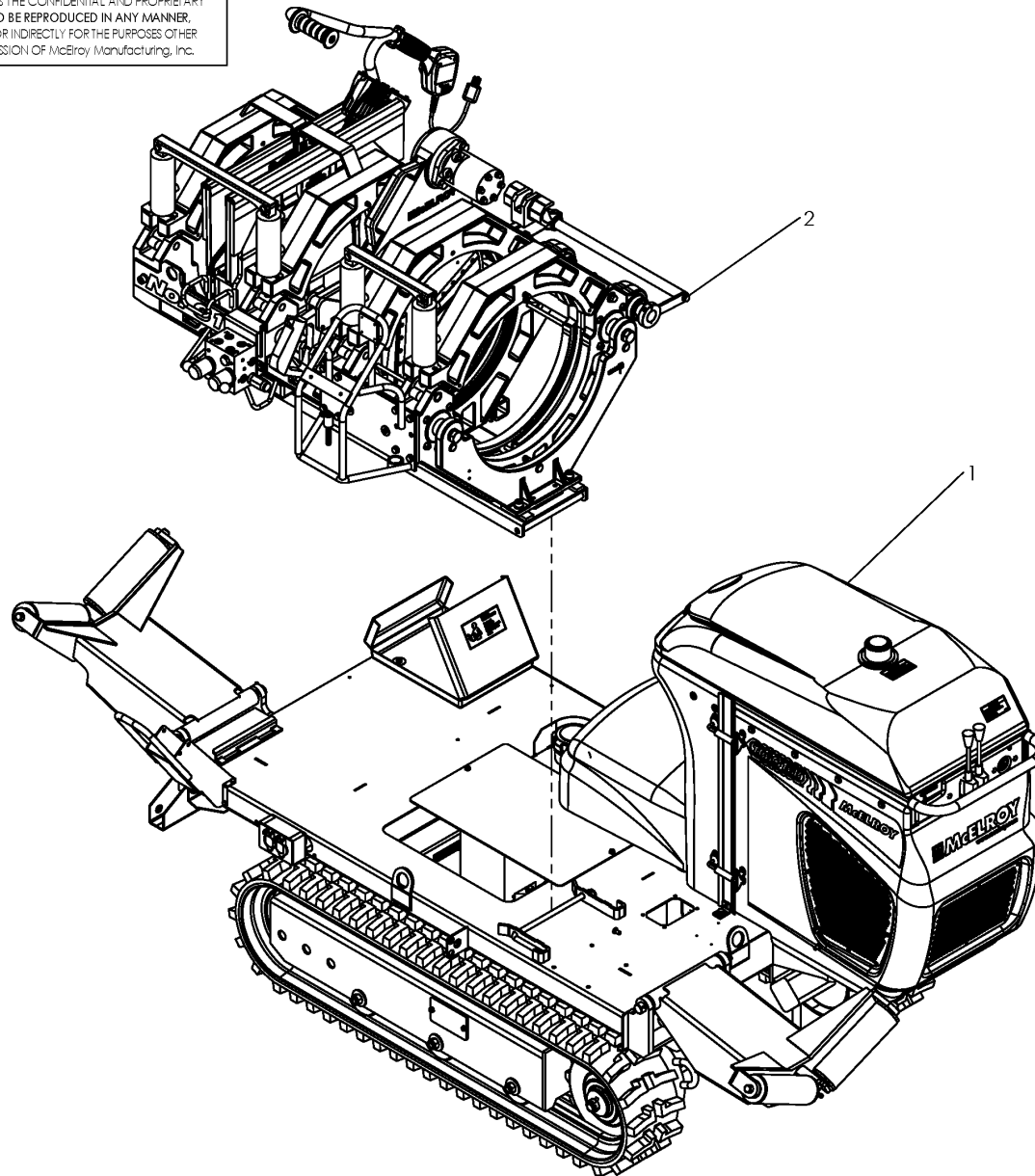


McElroy Manufacturing, Inc.
The leader by design.
Tulsa, Oklahoma U.S.A.

DRAWN: ERA CHECK: TKD APPRVD: MRP DATE: 11/16/11 SHT No: 1 REV No: PART No: AT1807400HC

TracStar® 618 HYDRAULIC CLAMPING FUSION MACHINE PACKAGE

NOTE: THIS DRAWING AND THE INFORMATION CONTAINED THEREIN IS THE CONFIDENTIAL AND PROPRIETARY PROPERTY OF McElroy Manufacturing, Inc. THE DRAWING IS NOT TO BE REPRODUCED IN ANY MANNER, SUBMITTED TO OUTSIDE PARTIES FOR EXAMINATION, OR USED DIRECTLY OR INDIRECTLY FOR THE PURPOSES OTHER THAN THOSE FOR WHICH IT WAS FURNISHED WITHOUT WRITTEN PERMISSION OF McElroy Manufacturing, Inc.



McElroy Manufacturing Parts List

Part Number: AT1807403HC Obsolete & Replaced by AT1830003HC (TracStar 618 Hydraulic Clamping LF Fusion Machine Package)

Part Number AT1807403HC Component List

Item	Component	Description	Quantity	Unit	Price
1	AT1816501	Obsolete & Replaced by AT1830101	1.0	EA	0.00
2	AT1807503HC	PitBull 618 Hydraulic Clamping LF Fusion Machine Package	1.0	EA	0.00

Please visit <https://fusion.mcelroy.com/parts> to purchase parts or for more information.

