

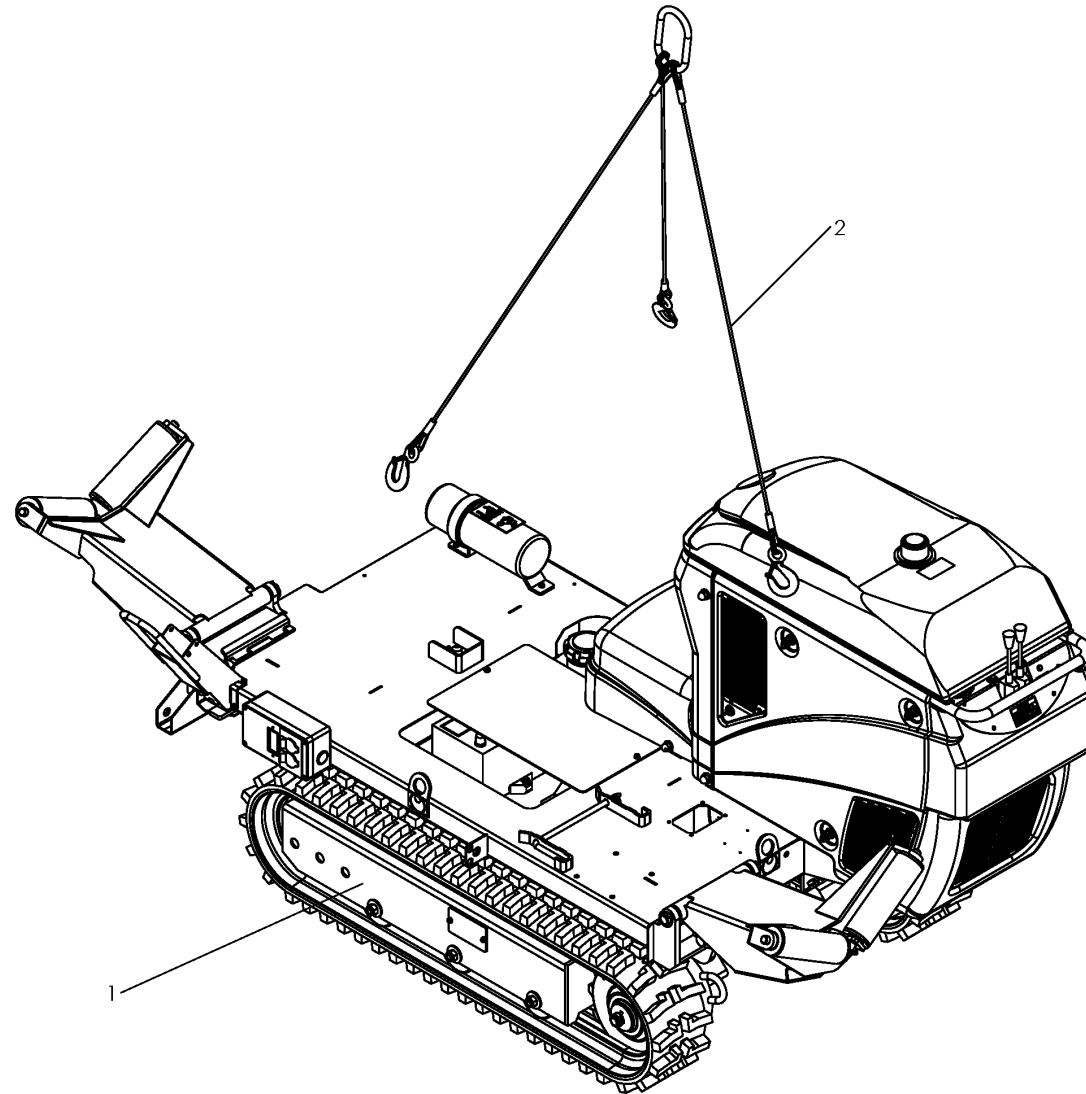


McElroy Manufacturing, Inc.
The leader by design.
Tulsa, Oklahoma U.S.A.

DRAWN: DCG	CHECK: ERA	APPRVD: JBC	DATE: 8/10/16	SHT No: 1	REV No:	PART No: AT1830101
------------	------------	-------------	---------------	-----------	---------	--------------------

TracStar® 28/250/412/618 SERIES 2 TRACK VEHICLE PACKAGE

NOTE: THIS DRAWING AND THE INFORMATION CONTAINED THEREIN IS THE CONFIDENTIAL AND PROPRIETARY PROPERTY OF McElroy Manufacturing, Inc. THE DRAWING IS NOT TO BE REPRODUCED IN ANY MANNER, SUBMITTED TO OUTSIDE PARTIES FOR EXAMINATION, OR USED DIRECTLY OR INDIRECTLY FOR THE PURPOSES OTHER THAN THOSE FOR WHICH IT WAS FURNISHED WITHOUT WRITTEN PERMISSION OF McElroy Manufacturing, Inc.



McElroy Manufacturing Parts List

Part Number: AT1830101 Obsolete & Replaced by AT18P1011851 (TracStar 28/250/412/618 Series 2 Track Vehicle Package)



TracStar 28/250/412/618 Series 2 Track Vehicle Package

Part Number AT1830101 Component List

Item	Component	Description	Quantity	Unit	Price
1	T1830201	TracStar 28/250/412/618 Series 2 Vehicle Assembly	1.0	EA	0.00
2	T1801601	TracStar 412/TracStar 618 Lifting Sling	1.0	EA	853.00

Please visit <https://fusion.mcelroy.com/parts> to purchase parts or for more information.