

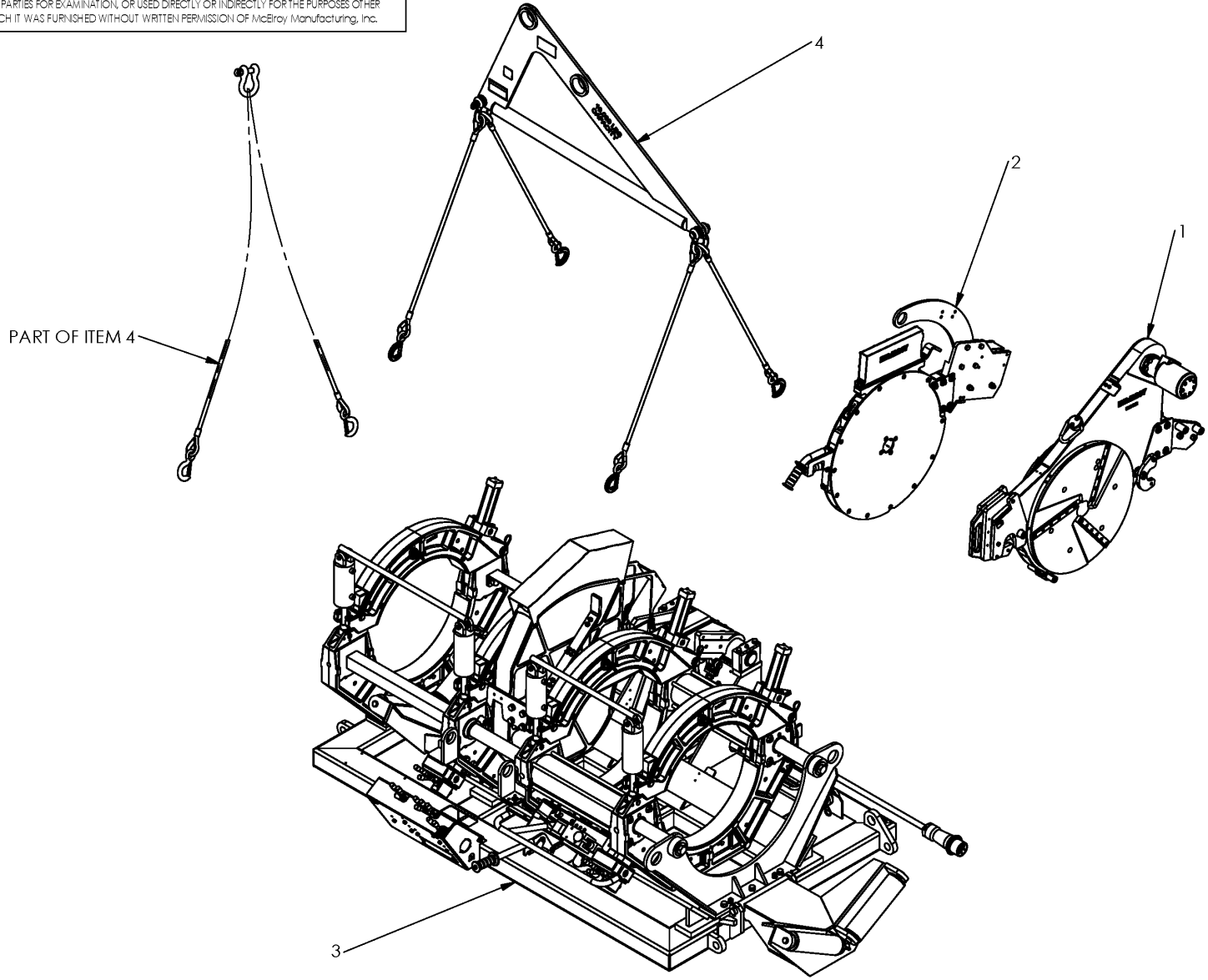


McElroy Manufacturing, Inc.
The leader by design.
Tulsa, Oklahoma U.S.A.

DRAWN: FAW	CHECK: MEP	APPRVD: DWP	DATE: 6/20/07	SHT No: 1	REV No: A	PART No: AT2400400
------------	------------	-------------	---------------	-----------	-----------	--------------------

PitBull® 630 FUSION MACHINE PACKAGE

NOTE: THIS DRAWING AND THE INFORMATION CONTAINED THEREIN IS THE CONFIDENTIAL AND PROPRIETARY PROPERTY OF McElroy Manufacturing, Inc. THE DRAWING IS NOT TO BE REPRODUCED IN ANY MANNER, SUBMITTED TO OUTSIDE PARTIES FOR EXAMINATION, OR USED DIRECTLY OR INDIRECTLY FOR THE PURPOSES OTHER THAN THOSE FOR WHICH IT WAS FURNISHED WITHOUT WRITTEN PERMISSION OF McElroy Manufacturing, Inc.



McElroy Manufacturing Parts List

Part Number: AT2400401 Replaced by AT2419001 (PitBull 630 High Force 220-240V Fusion Machine Package) (2/2006 to 9/2018)

Part Number AT2400401 Component List

Item	Component	Description	Quantity	Unit	Price
1	T2400201	TracStar 630 Facer Assembly	1.0	EA	39,236.00
2	T2400301	TracStar 630 Butt Plate Heater Assembly	1.0	EA	22,501.00
3	T2400401	TracStar 630 HF Carriage Assembly	1.0	EA	0.00
4	T2401201	TracStar 630 Spreader Bar Assembly (Effective 4/10/06 to 12/31/07)	1.0	EA	0.00
4	T9028301	Spreader Bar Assembly	1.0	EA	4,831.00
5	T2408701	T630 Heater Support Block Assy (Effective 11/14/06 to 2/22/12)	1.0	EA	144.00

Please visit <https://fusion.mcelroy.com/parts> to purchase parts or for more information.

