

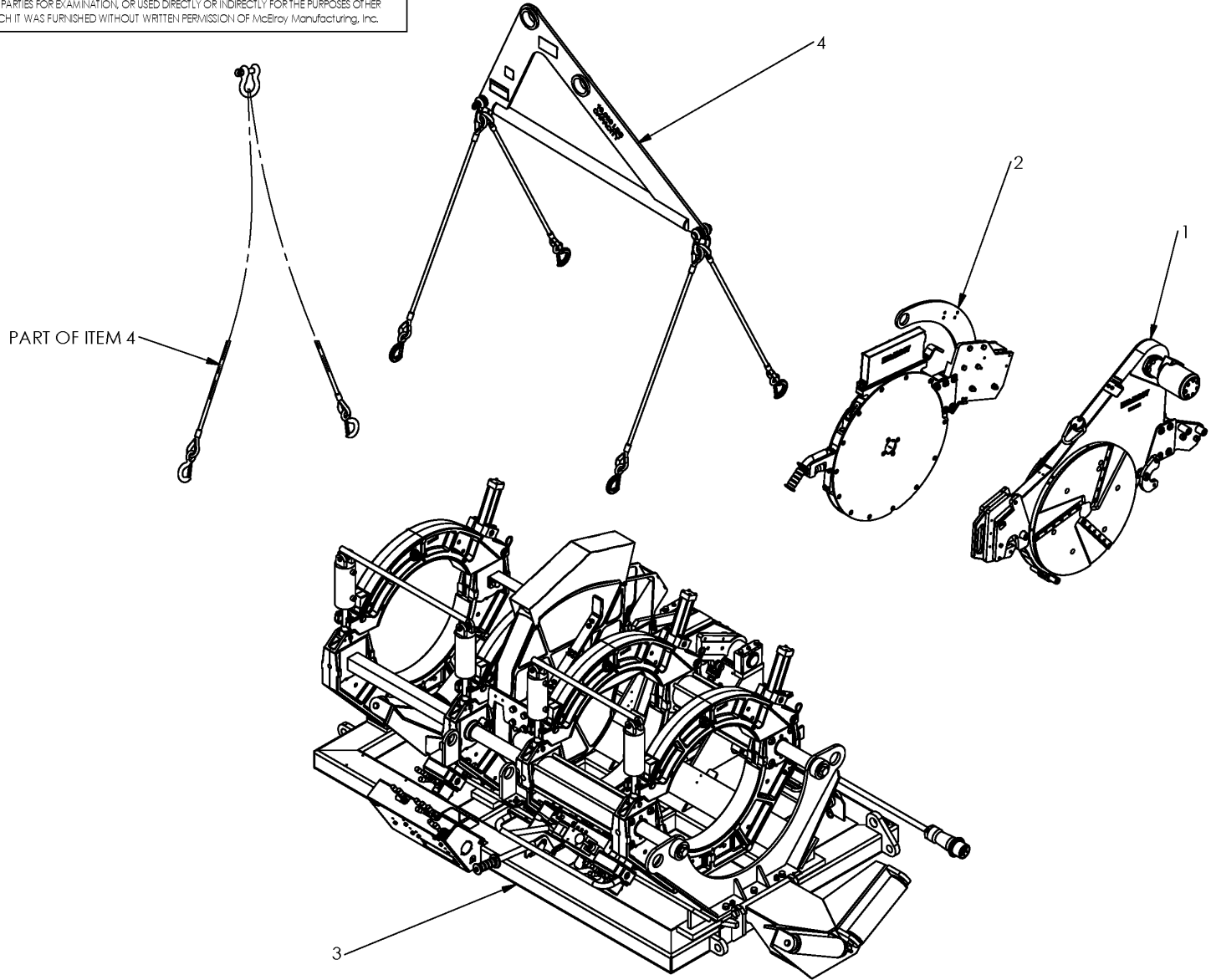


McElroy Manufacturing, Inc.  
The leader by design.  
Tulsa, Oklahoma U.S.A.

DRAWN: FAW    CHECK: MEP    APPRVD: DWP    DATE: 6/20/07    SHT No: 1    REV No: A    PART No: AT2400400

PitBull® 630 FUSION MACHINE PACKAGE

NOTE: THIS DRAWING AND THE INFORMATION CONTAINED THEREIN IS THE CONFIDENTIAL AND PROPRIETARY PROPERTY OF McElroy Manufacturing, Inc. THE DRAWING IS NOT TO BE REPRODUCED IN ANY MANNER, SUBMITTED TO OUTSIDE PARTIES FOR EXAMINATION, OR USED DIRECTLY OR INDIRECTLY FOR THE PURPOSES OTHER THAN THOSE FOR WHICH IT WAS FURNISHED WITHOUT WRITTEN PERMISSION OF McElroy Manufacturing, Inc.



## McElroy Manufacturing Parts List

**Part Number:** AT2400403 Replaced by AT2419003 (PitBull 630 Low Force 220-240V Fusion Machine Package) (4/2007 to 9/2018)

### Part Number AT2400403 Component List

Item	Component	Description	Quantity	Unit	Price
1	T2400201	TracStar 630 Facer Assembly	1.0	EA	39,236.00
2	T2400301	TracStar 630 Butt Plate Heater Assembly	1.0	EA	22,501.00
3	T2400403	TracStar 630 LF Carriage Assembly	1.0	EA	0.00
4	T2401201	TracStar 630 Spreader Bar Assembly (Effective to 12/31/07)	1.0	EA	0.00
4	T9028301	Spreader Bar Assembly	1.0	EA	4,831.00
5	T2408701	T630 Heater Support Block Assy (Effective to 2/22/12)	1.0	EA	144.00

Please visit <https://fusion.mcelroy.com/parts> to purchase parts or for more information.

