

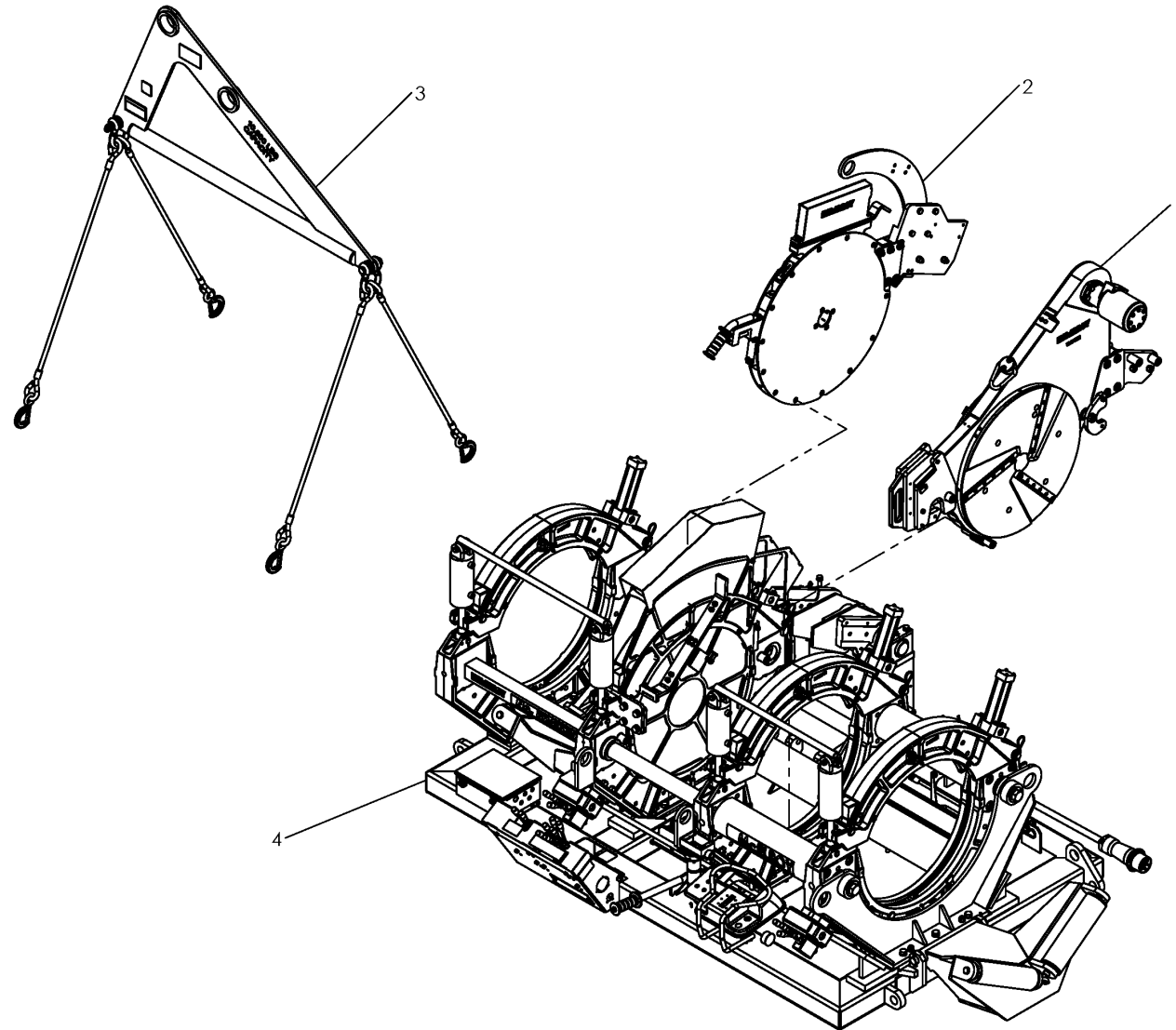


McElroy Manufacturing, Inc.
The leader by design.
Tulsa, Oklahoma U.S.A.

DRAWN: ARB CHECK: SWB APPRVD: SWB DATE: 4/3/09 SHT No: 1 REV No: A PART No: AT2408200

PitBull 630 AUTOMATIC FUSION MACHINE PACKAGE

NOTE: THIS DRAWING AND THE INFORMATION CONTAINED THEREIN IS THE CONFIDENTIAL AND PROPRIETARY PROPERTY OF McElroy Manufacturing, Inc. THE DRAWING IS NOT TO BE REPRODUCED IN ANY MANNER, SUBMITTED TO OUTSIDE PARTIES FOR EXAMINATION, OR USED DIRECTLY OR INDIRECTLY FOR THE PURPOSES OTHER THAN THOSE FOR WHICH IT WAS FURNISHED WITHOUT WRITTEN PERMISSION OF McElroy Manufacturing, Inc.



McElroy Manufacturing Parts List

Part Number: AT2408202 Replaced by AT2418902 (PitBull 630 Automatic Medium Force Fusion Machine Package) (5/2007 to 9/2018)

Part Number AT2408202 Component List

Item	Component	Description	Quantity	Unit	Price
1	T2400202	TracStar 630 Automatic Facer Assembly	1.0	EA	0.00
2	T2400301	TracStar 630 Butt Plate Heater Assembly	1.0	EA	22,501.00
3	T9028301	Spreader Bar Assembly	1.0	EA	4,831.00
4	T2402102	TracStar 630 Automatic MF Carriage Assembly	1.0	EA	0.00
5	T2408701	T630 Heater Support Block Assy (Effective to 2/22/12)	1.0	EA	144.00

Please visit <https://fusion.mcelroy.com/parts> to purchase parts or for more information.

