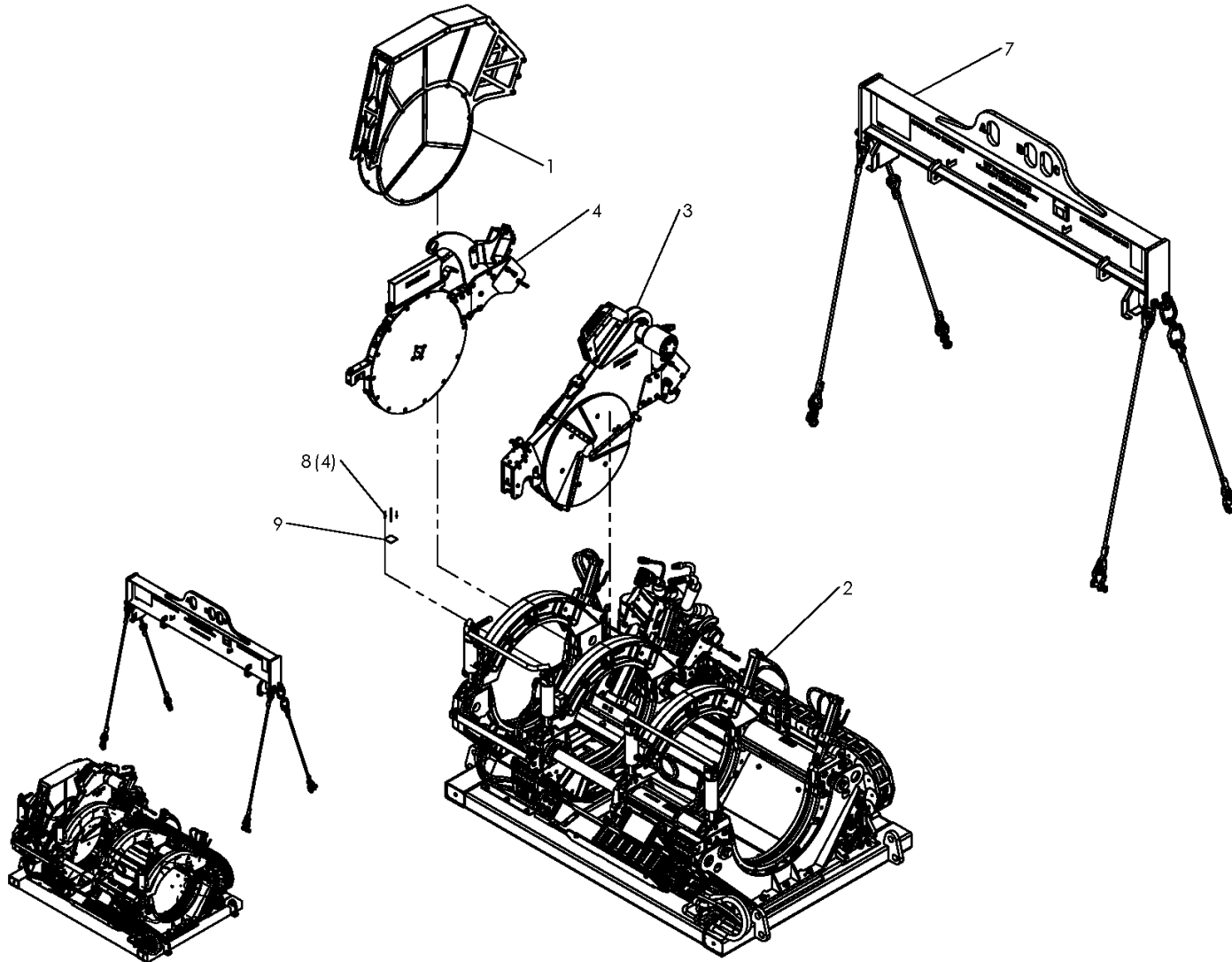


## PitBull® 630i 220-240V HIGH FORCE FUSION MACHINE PACKAGE

NOTE: THIS DRAWING AND THE INFORMATION CONTAINED THEREIN IS THE CONFIDENTIAL AND PROPRIETARY PROPERTY OF McElroy Manufacturing, Inc. THE DRAWING IS NOT TO BE REPRODUCED IN ANY MANNER, SUBMITTED TO OUTSIDE PARTIES FOR EXAMINATION, OR USED DIRECTLY OR INDIRECTLY FOR THE PURPOSES OTHER THAN THOSE FOR WHICH IT WAS FURNISHED WITHOUT WRITTEN PERMISSION OF McElroy Manufacturing, Inc.



## McElroy Manufacturing Parts List

**Part Number:** AT24P0890310 PitBull 630 i 220-240V HF Fusion Machine Package

### Part Number AT24P0890310 Component List

Item	Component	Description	Quantity	Unit	Price
1	T24P0811769	TracStar 630i Heater Bag Frame Assembly	1.0	EA	4,341.00
2	T24P0864311	TracStar 630i 220-240V High Force Carriage Assembly	1.0	EA	0.00
3	T24P0883464	TracStar 630i Facer Assembly	1.0	EA	34,734.00
4	T24P0887494	TracStar 630 i 220-240V Heater Assembly	1.0	EA	19,529.00
5	T48P0898279	Iseries Carriage Firmware	1.0	EA	0.00
6	T48P0898411	TracStar i Series Fusion Machine Operator's Manual	1.0	EA	179.00
7	T900P0866465	TracStar 630i / 900i Spreader Bar Assembly	1.0	EA	8,926.00
8	MCK00005	1/8DIA X .462" Grip Blind Rivet	4.0	EA	0.44
9	N1AT24P0890310	Nameplate	1.0	EA	0.00

Please visit <https://fusion.mcelroy.com/parts> to purchase parts or for more information.

