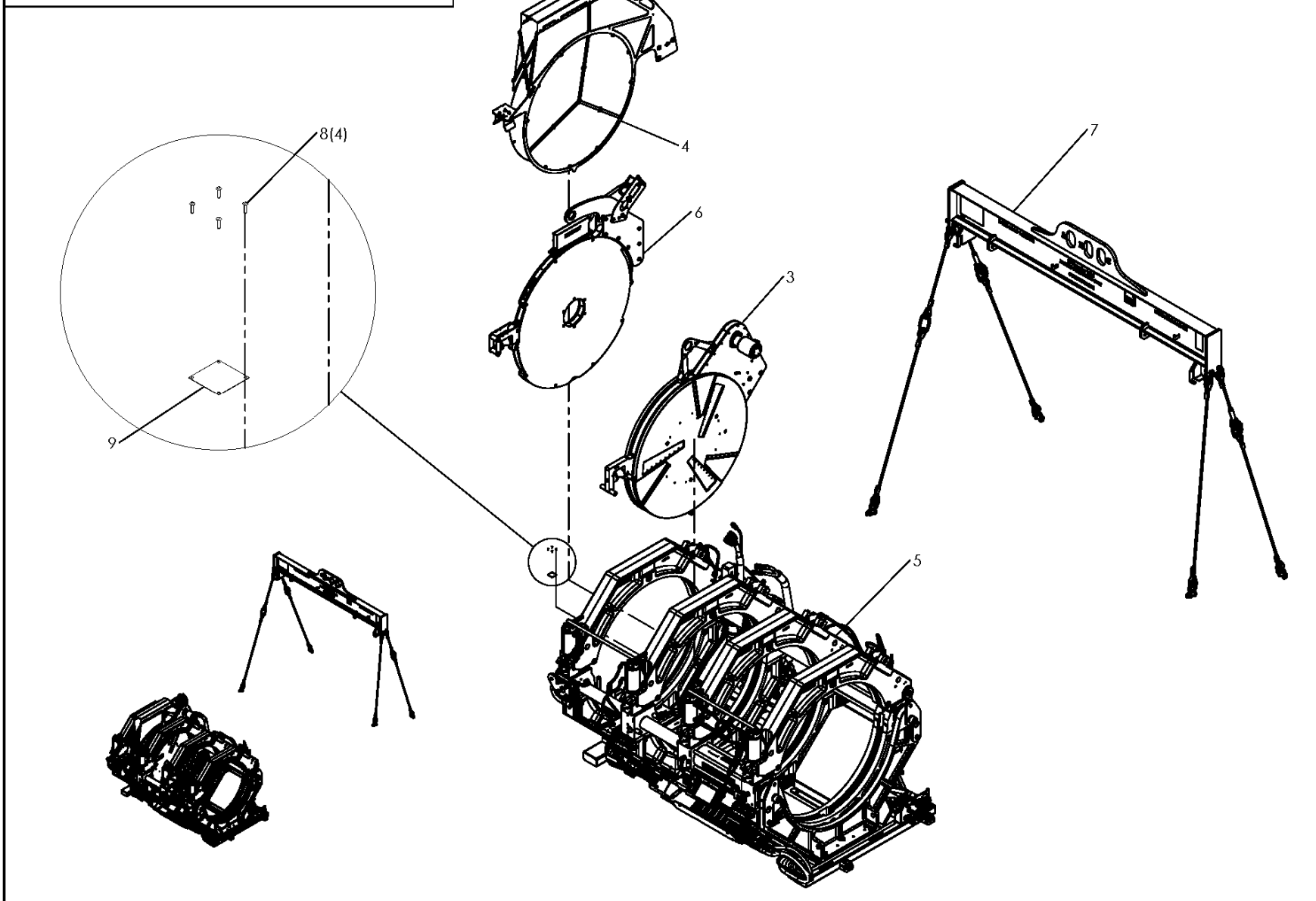


PitBull® 1200i HIGH FORCE FUSION MACHINE PACKAGE

NOTE: THIS DRAWING AND THE INFORMATION CONTAINED THEREIN IS THE CONFIDENTIAL AND PROPRIETARY PROPERTY OF McElroy Manufacturing, Inc. THE DRAWING IS NOT TO BE REPRODUCED IN ANY MANNER, SUBMITTED TO OUTSIDE PARTIES FOR EXAMINATION, OR USED DIRECTLY OR INDIRECTLY FOR THE PURPOSES OTHER THAN THOSE FOR WHICH IT WAS FURNISHED WITHOUT WRITTEN PERMISSION OF McElroy Manufacturing, Inc.



McElroy Manufacturing Parts List

Part Number: AT48P0896335 Pit Bull 1200 i High Force Fusion Machine Package

Part Number AT48P0896335 Component List

Item	Component	Description	Quantity	Unit	Price
1	T48P0898279	Iseries Carriage Firmware	1.0	EA	0.00
2	T48P0898411	TracStar i Series Fusion Machine Operator's Manual	1.0	EA	195.00
3	T48P0807075	TracStar 1200 Facer Assembly	1.0	EA	84,671.00
4	T48P0840692	TracStar 1200 i Heater Bag Assembly	1.0	EA	10,705.00
5	T48P0842753	TracStar 1200i 240 V High Force Carriage Assembly	1.0	EA	0.00
6	T48P0903667	TracStar 1200 i 220-240V, 50/60Hz, 3Ph Heater Assembly	1.0	EA	48,356.00
7	T48P0906723	TracStar 1200 i Spreader Bar Assembly	1.0	EA	10,602.00
8	MCK00005	1/8DIA X .462" Grip Blind Rivet	4.0	EA	0.00
9	N1AT48P0896335	Nameplate	1.0	EA	0.00

Please visit <https://fusion.mcelroy.com/parts> to purchase parts or for more information.