

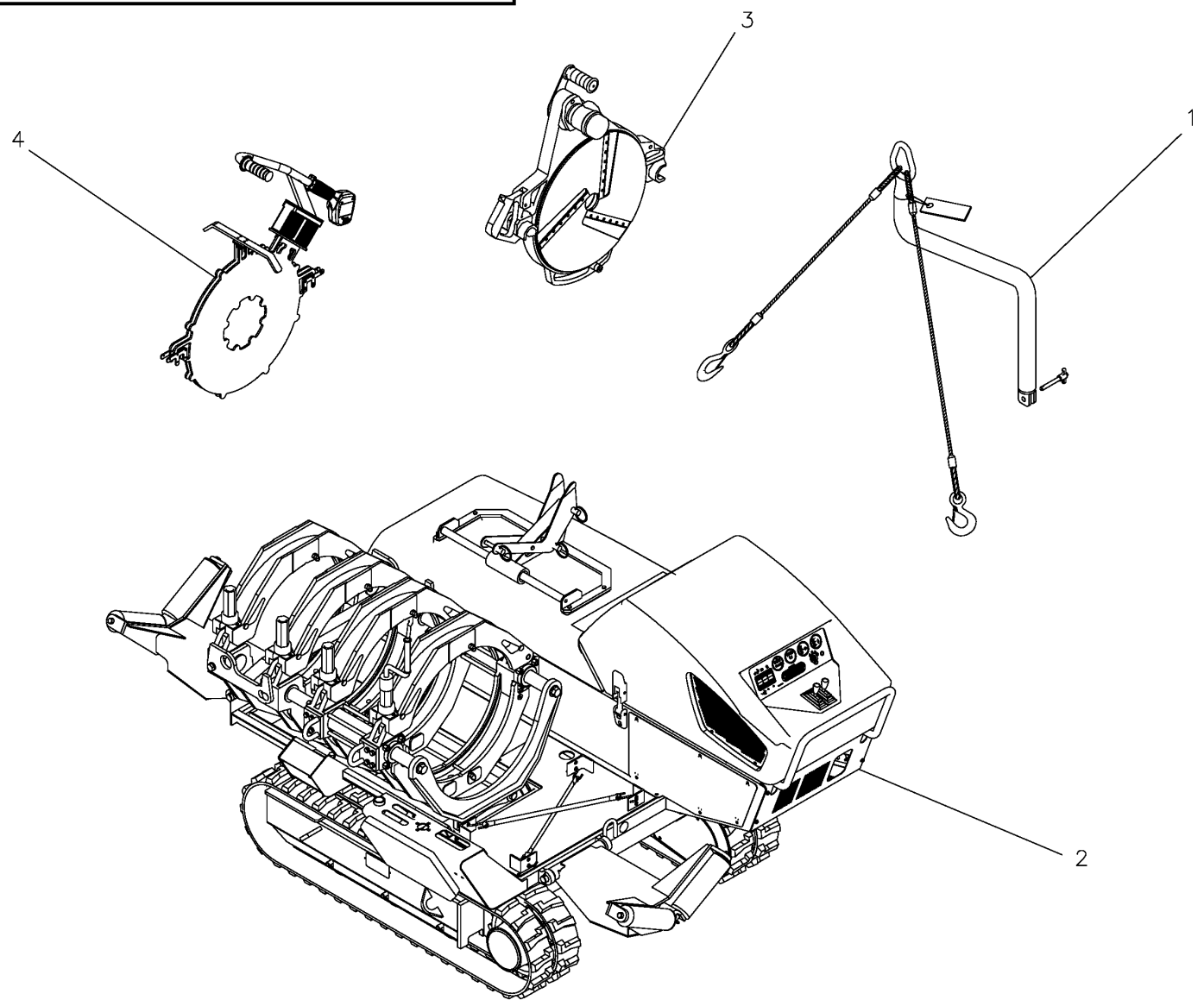


McElroy Manufacturing, Inc.
The leader by design.
Tulsa, Oklahoma U.S.A.

DRAWN: JAB	CHECK: SWB	APPRV'D: SWB	DATE: 01/12/06	SHT No: 1	REV No:	PART No: AT5000102_04
------------	------------	--------------	----------------	-----------	---------	-----------------------

TracStar® 500 II FUSION MACHINE PACKAGE

NOTE: THIS DRAWING AND THE INFORMATION CONTAINED THEREIN IS THE CONFIDENTIAL AND PROPRIETARY PROPERTY OF McElroy Manufacturing, Inc. THE DRAWING IS NOT TO BE REPRODUCED IN ANY MANNER, SUBMITTED OUTSIDE PARTIES FOR EXAMINATION, OR USED DIRECTLY OR INDIRECTLY FOR THE PURPOSES OTHER THAN THOSE FOR WHICH IT WAS FURNISHED WITHOUT WRITTEN PERMISSION OF McElroy Manufacturing, Inc.



McElroy Manufacturing Parts List

Part Number: AT5000104 TracStar 500 II MM Medium Force Fusion Machine Package (Obsolete)

Part Number AT5000104 Component List

Item	Component	Description	Quantity	Unit	Price
1	T5009001	TracStar 500 Lifting Sling	1.0	EA	1,421.00
2	T5000104	TracStar 500 II MM MF Fusion Machine Assembly	1.0	EA	0.00
3	T5000602	TracStar 500 II Facer Assembly	1.0	EA	18,450.00
4	T5008008	Obsolete & Replaced by T5078301	1.0	EA	0.00

Please visit <https://fusion.mcelroy.com/parts> to purchase parts or for more information.

