

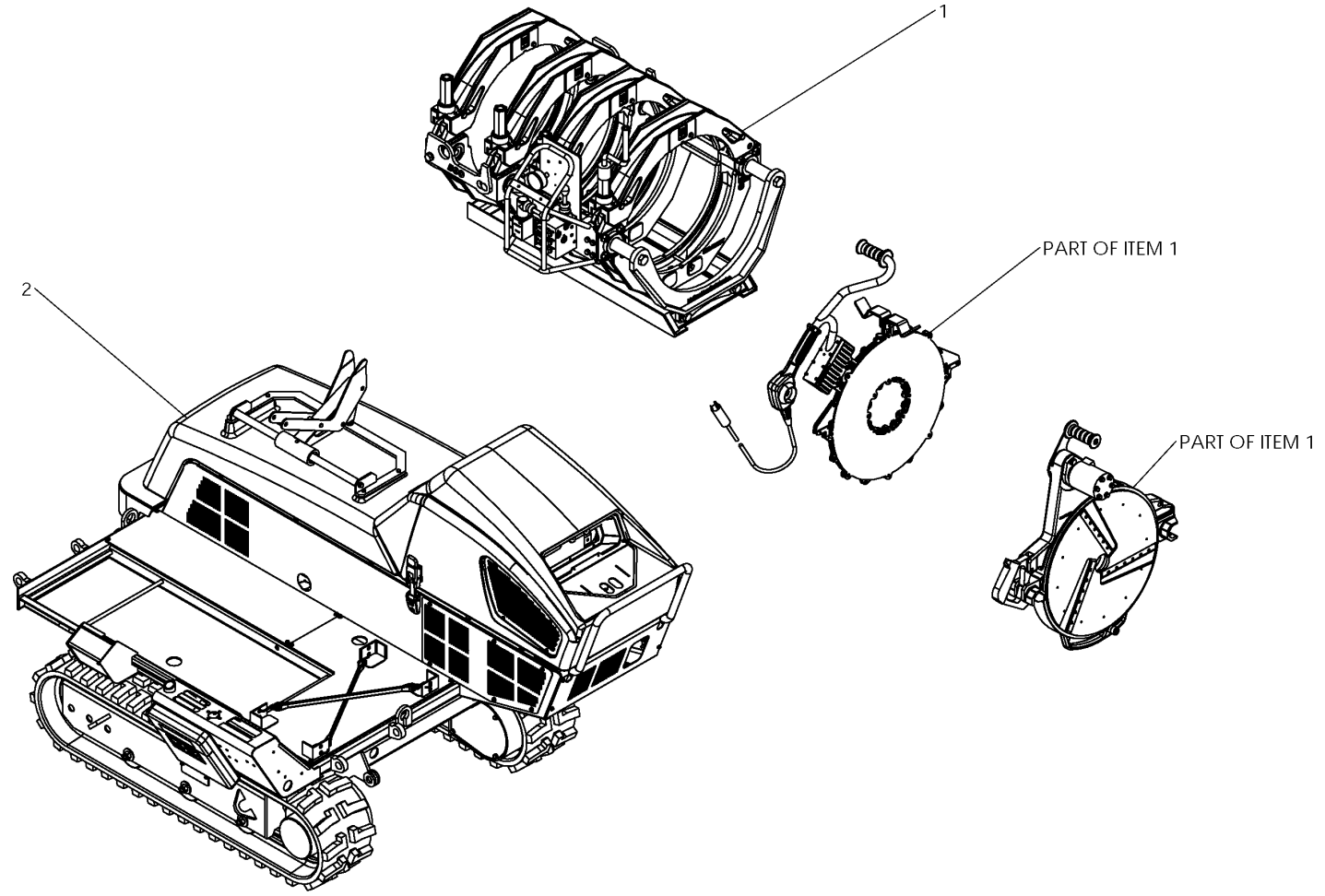


McElroy Manufacturing, Inc.
The leader by design.
Tulsa, Oklahoma U.S.A.

DRAWN: RLE CHECK: TKD APPRVD: DWP DATE: 9/16/06 SHT No: 1 REV No: A PART No: AT5000106_08

TracStar® 500 II FUSION MACHINE PACKAGE

NOTE: THIS DRAWING AND THE INFORMATION CONTAINED THEREIN IS THE CONFIDENTIAL AND PROPRIETARY PROPERTY OF McElroy Manufacturing, Inc. THE DRAWING IS NOT TO BE REPRODUCED IN ANY MANNER, SUBMITTED TO OUTSIDE PARTIES FOR EXAMINATION, OR USED DIRECTLY OR INDIRECTLY FOR THE PURPOSES OTHER THAN THOSE FOR WHICH IT WAS FURNISHED WITHOUT WRITTEN PERMISSION OF McElroy Manufacturing, Inc.



McElroy Manufacturing Parts List

Part Number: AT5000106 Obsolete (TracStar 500 II Medium Force Fusion Machine Package) (-6/2015)

Part Number AT5000106 Component List

Item	Component	Description	Quantity	Unit	Price
1	AT5034003	PitBull 500 Medium Force Fusion Machine Package less Facer Stand	1.0	EA	0.00
2	AT5034201	Obsolete	1.0	EA	0.00
2	T5000106	Obsolete (Effective 6/9/06 to 10/26/10)	1.0	EA	0.00
3	T5000602	TracStar 500 II Facer Assembly (Effective 6/9/06 to 10/26/10)	1.0	EA	18,450.00
4	T5008008	Obsolete & Replaced by T5078301 (Effective 6/9/06 to 10/26/10)	1.0	EA	0.00

Please visit <https://fusion.mcelroy.com/parts> to purchase parts or for more information.

