

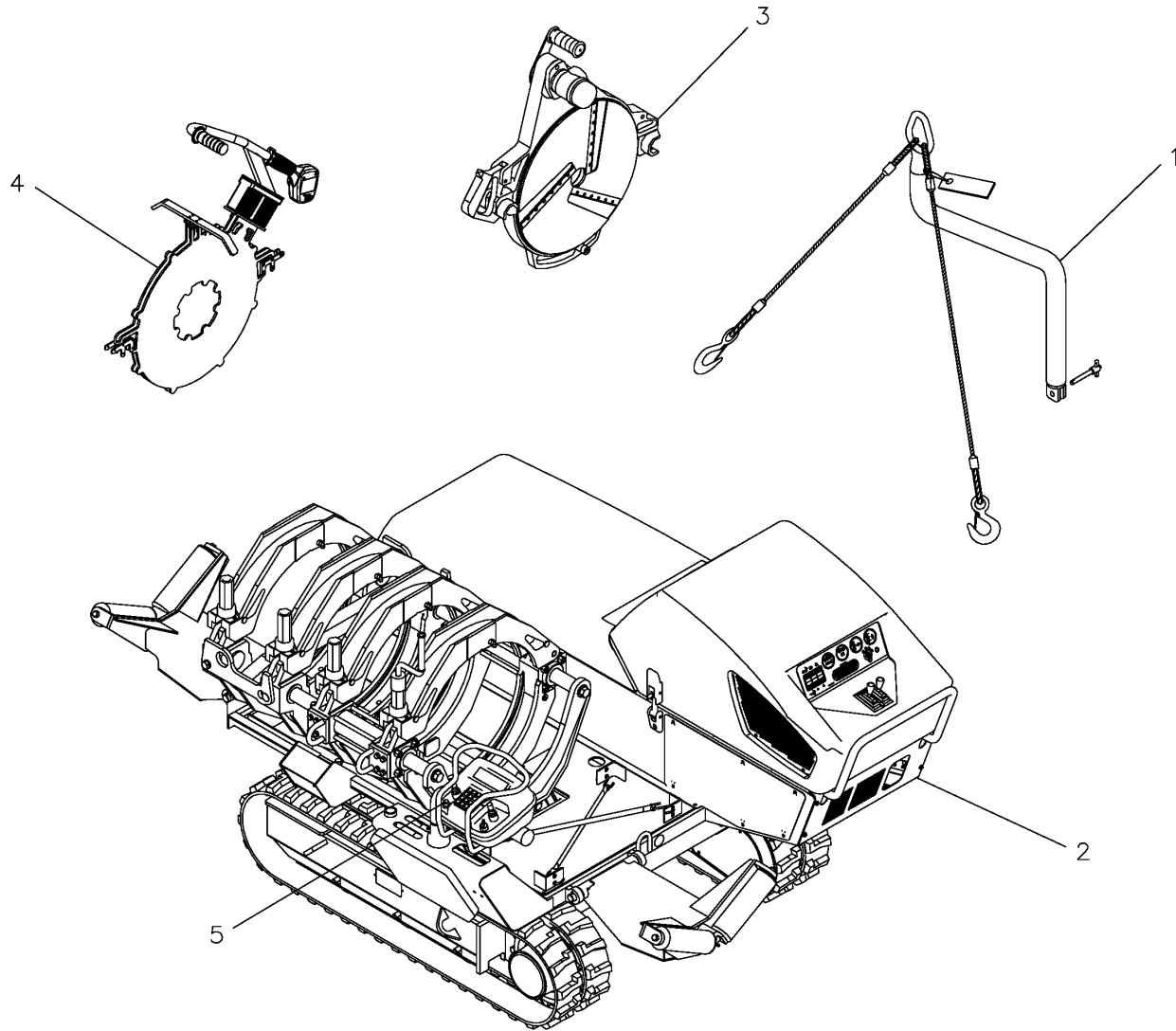


McElroy Manufacturing, Inc.
The leader by design.
Tulsa, Oklahoma U.S.A.

DRAWN: RLE CHECK: TKD APPRV'D: DWP DATE: 9/6/06 SHT No: 1 REV No: PART No: AT5000107_09

TracStar® 500 II COACH FUSION MACHINE PACKAGE

NOTE: THIS DRAWING AND THE INFORMATION CONTAINED THEREIN IS THE CONFIDENTIAL AND PROPRIETARY PROPERTY OF McElroy Manufacturing, Inc. THE DRAWING IS NOT TO BE REPRODUCED IN ANY MANNER, SUBMITTED OUTSIDE PARTIES FOR EXAMINATION, OR USED DIRECTLY OR INDIRECTLY FOR THE PURPOSES OTHER THAN THOSE FOR WHICH IT WAS FURNISHED WITHOUT WRITTEN PERMISSION OF McElroy Manufacturing, Inc.



McElroy Manufacturing Parts List

Part Number: AT5000107 TracStar 500 II Coach Medium Force Fusion Machine Package (Obsolete)

Part Number AT5000107 Component List

Item	Component	Description	Quantity	Unit	Price
1	T5009001	TracStar 500 Lifting Sling	1.0	EA	1,421.00
2	T5000107	TracStar 500 II Coach MF Fusion Machine Assembly	1.0	EA	0.00
3	T5000603	TracStar 500 II Coach Equipped Facer Assembly	1.0	EA	0.00
4	T5008001	TracStar 500/TracStar 500 II Coach 12-20IPS Heater Assembly	1.0	EA	6,385.00
5	T5016901	Download Cable Assembly	1.0	EA	584.00

Please visit <https://fusion.mcelroy.com/parts> to purchase parts or for more information.

