

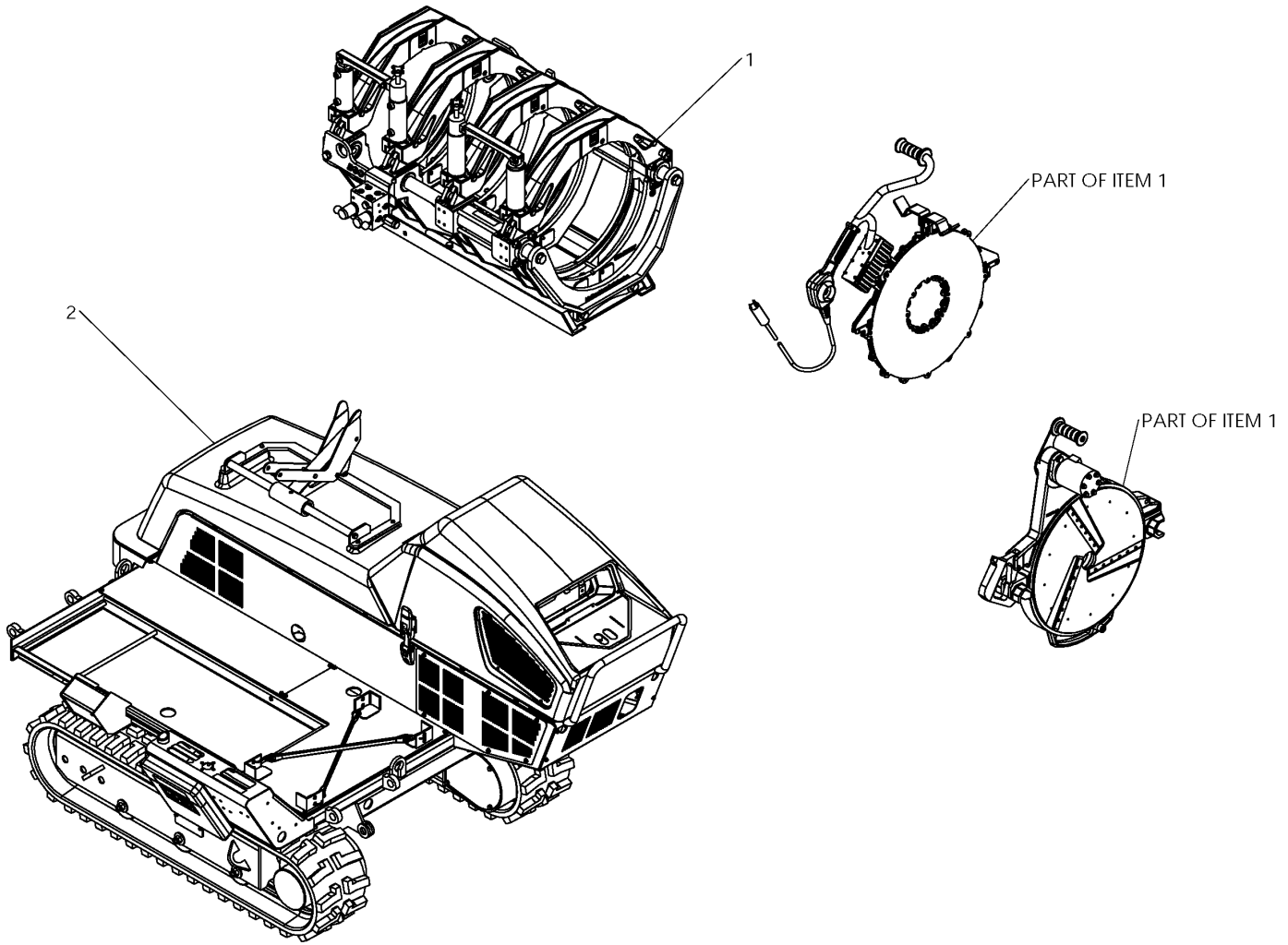


McElroy Manufacturing, Inc.
The leader by design.
Tulsa, Oklahoma U.S.A.

DRAWN: PJD	CHECK: BLM	APPRVD: DWP	DATE: 11/04/09	SHT No: 1	REV No: A	PART No: AT5000106HC_08HC
------------	------------	-------------	----------------	-----------	-----------	---------------------------

TracStar® 500 II HYDRAULIC CLAMPING FUSION MACHINE PACKAGE

NOTE: THIS DRAWING AND THE INFORMATION CONTAINED THEREIN IS THE CONFIDENTIAL AND PROPRIETARY PROPERTY OF McElroy Manufacturing, Inc. THE DRAWING IS NOT TO BE REPRODUCED IN ANY MANNER, SUBMITTED TO OUTSIDE PARTIES FOR EXAMINATION, OR USED DIRECTLY OR INDIRECTLY FOR THE PURPOSES OTHER THAN THOSE FOR WHICH IT WAS FURNISHED WITHOUT WRITTEN PERMISSION OF McElroy Manufacturing, Inc.



McElroy Manufacturing Parts List

Part Number: AT5000108HC Obsolete (TracStar 500 II MM Hydraulic Clamping Medium Force Fusion Machine Package) (-6/2015)

Part Number AT5000108HC Component List

Item	Component	Description	Quantity	Unit	Price
1	AT5034004HC	PitBull 500 mm Hydraulic Clamping Medium Force Fusion Machine Package less Facer Stand	1.0	EA	0.00
2	AT5034201	Obsolete	1.0	EA	0.00
2	T5000108HC	Obsolete (Effective to 10/26/10)	1.0	EA	0.00
3	T5000602	TracStar 500 II Facer Assembly (Effective to 10/26/10)	1.0	EA	18,450.00
4	T5008008	Obsolete & Replaced by T5078301 (Effective to 10/26/10)	1.0	EA	0.00

Please visit <https://fusion.mcelroy.com/parts> to purchase parts or for more information.

