



McElroy Manufacturing, Inc.
The leader by design.
Tulsa, Oklahoma U.S.A.

DRAWN:

RLE

CHECK:

TKD

APPRV'D:

DWP

DATE:

9/6/06

SHT
No: 1

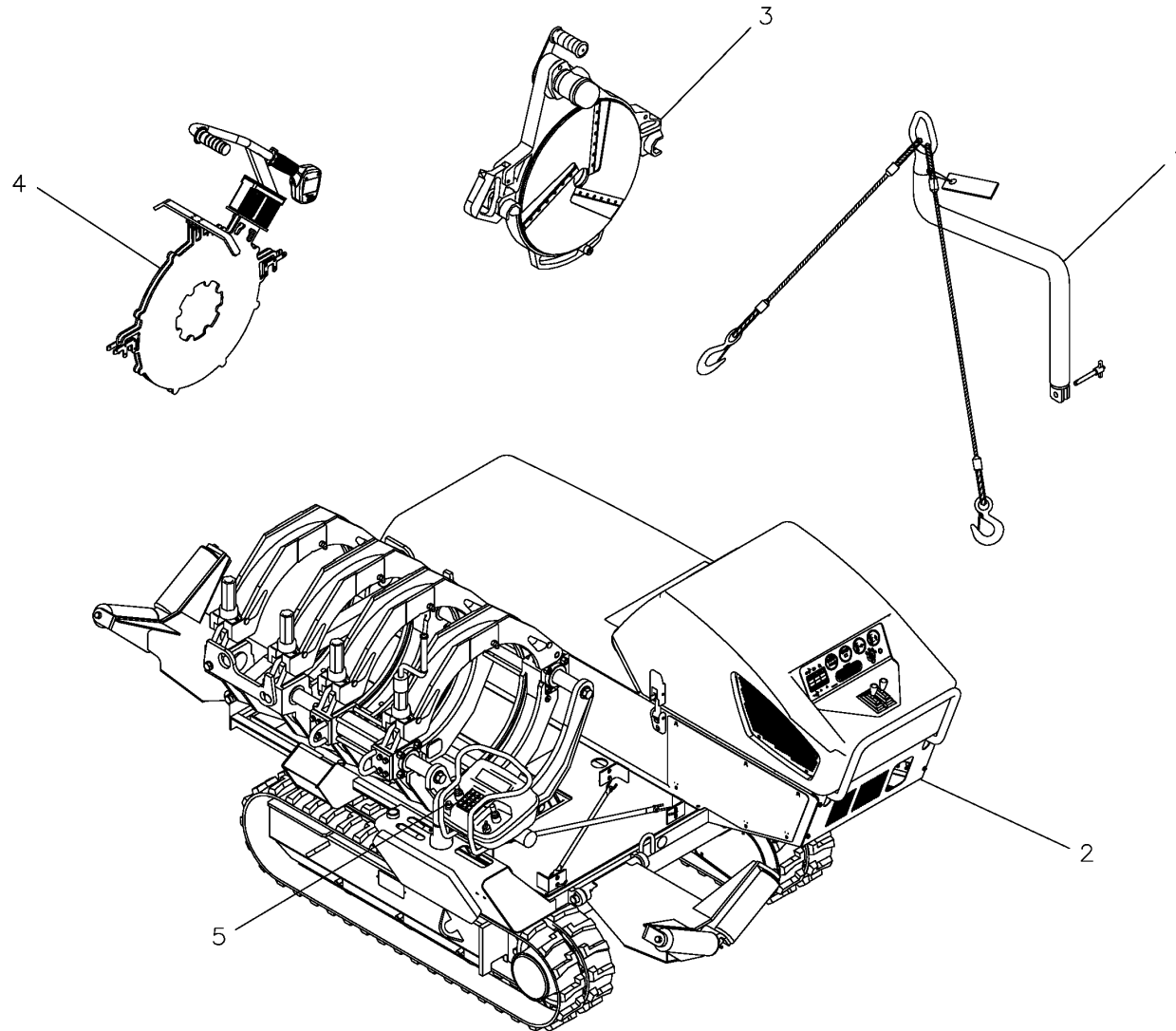
REV
No:

PART
No:

AT5000107_09

TracStar® 500 II COACH FUSION MACHINE PACKAGE

NOTE: THIS DRAWING AND THE INFORMATION CONTAINED THEREIN IS THE CONFIDENTIAL AND PROPRIETARY PROPERTY OF McElroy Manufacturing, Inc. THE DRAWING IS NOT TO BE REPRODUCED IN ANY MANNER, SUBMITTED OUTSIDE PARTIES FOR EXAMINATION, OR USED DIRECTLY OR INDIRECTLY FOR THE PURPOSES OTHER THAN THOSE FOR WHICH IT WAS FURNISHED WITHOUT WRITTEN PERMISSION OF McElroy Manufacturing, Inc.



McElroy Manufacturing Parts List

Part Number: AT5000109 TracStar 500 II MM Coach Medium Force Fusion Machine Package (Obsolete)

Part Number AT5000109 Component List

Item	Component	Description	Quantity	Unit	Price
1	T5009001	TracStar 500 Lifting Sling	1.0	EA	1,421.00
2	T5000109	TracStar 500 II MM Coach MF Fusion Machine Assembly	1.0	EA	0.00
3	T5000603	TracStar 500 II Coach Equipped Facer Assembly	1.0	EA	0.00
4	T5008001	TracStar 500/TracStar 500 II Coach 12-20IPS Heater Assembly	1.0	EA	6,385.00
5	T5016901	Download Cable Assembly	1.0	EA	584.00

Please visit <https://fusion.mcelroy.com/parts> to purchase parts or for more information.

