

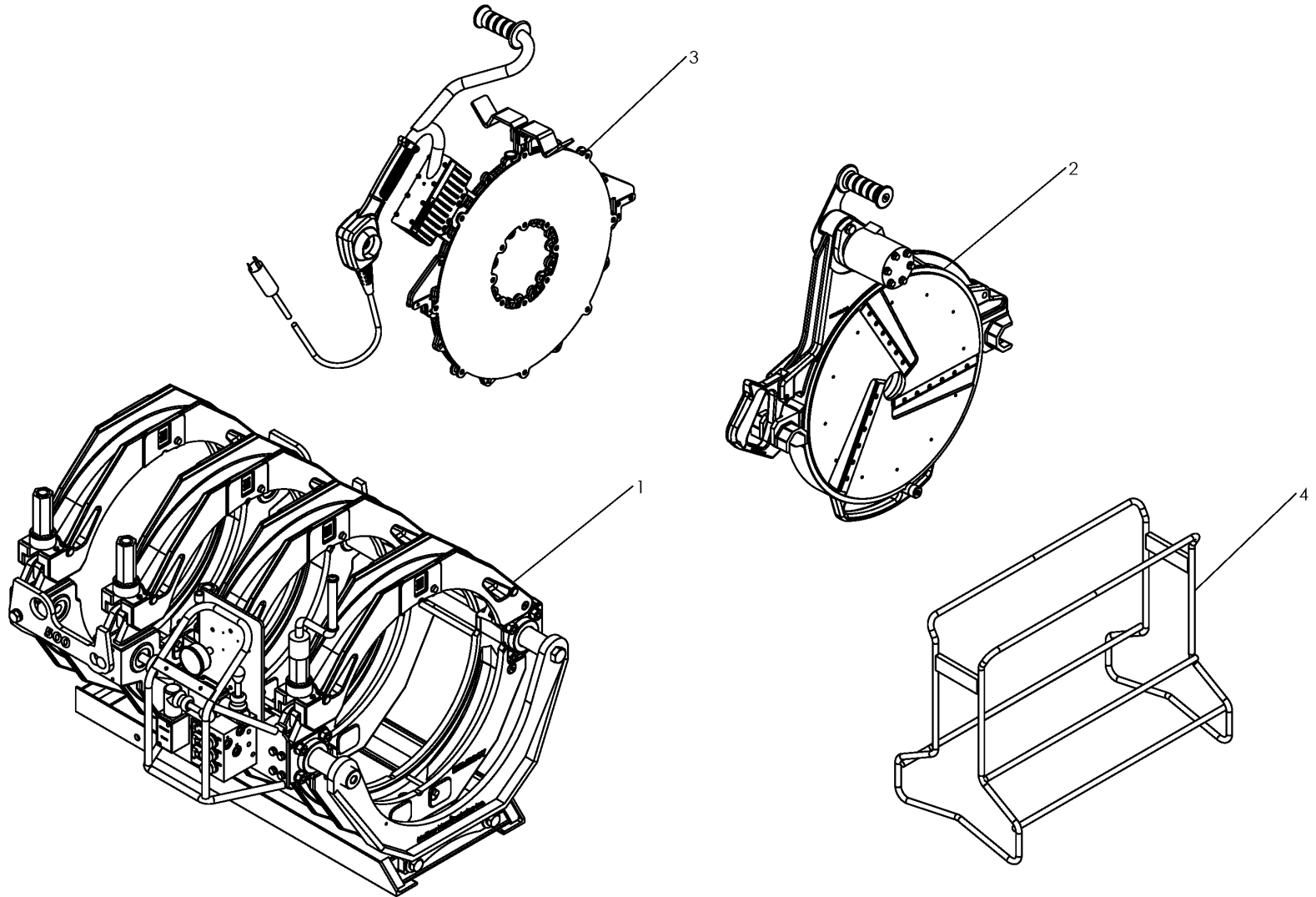


McElroy Manufacturing, Inc.
The leader by design.
Tulsa, Oklahoma U.S.A.

DRAWN: JAB	CHECK: SWB	APPRVD: SWB	DATE: 1/13/06	SHT No: 1	REV No: B	PART No: AT5034001_02_03_04
------------	------------	-------------	---------------	-----------	-----------	-----------------------------

PitBull® 500 MEDIUM FORCE FUSION MACHINE PACKAGE

NOTE: THIS DRAWING AND THE INFORMATION CONTAINED THEREIN IS THE CONFIDENTIAL AND PROPRIETARY PROPERTY OF McElroy Manufacturing, Inc. THE DRAWING IS NOT TO BE REPRODUCED IN ANY MANNER, SUBMITTED TO OUTSIDE PARTIES FOR EXAMINATION, OR USED DIRECTLY OR INDIRECTLY FOR THE PURPOSES OTHER THAN THOSE FOR WHICH IT WAS FURNISHED WITHOUT WRITTEN PERMISSION OF McElroy Manufacturing, Inc.



McElroy Manufacturing Parts List

Part Number: AT5034001 PitBull 500 Medium Force Fusion Machine Package

Part Number AT5034001 Component List

Item	Component	Description	Quantity	Unit	Price
1	AT5000403	TracStar 500 II Medium Force Carriage Assembly Package	1.0	EA	0.00
2	T5000602	TracStar 500 II Facer Assembly	1.0	EA	18,450.00
3	T5008009	Obsolete & Replaced by T5078401	1.0	EA	0.00
4	T5004701	Replaced by T5004703	1.0	EA	0.00

Please visit <https://fusion.mcelroy.com/parts> to purchase parts or for more information.

