

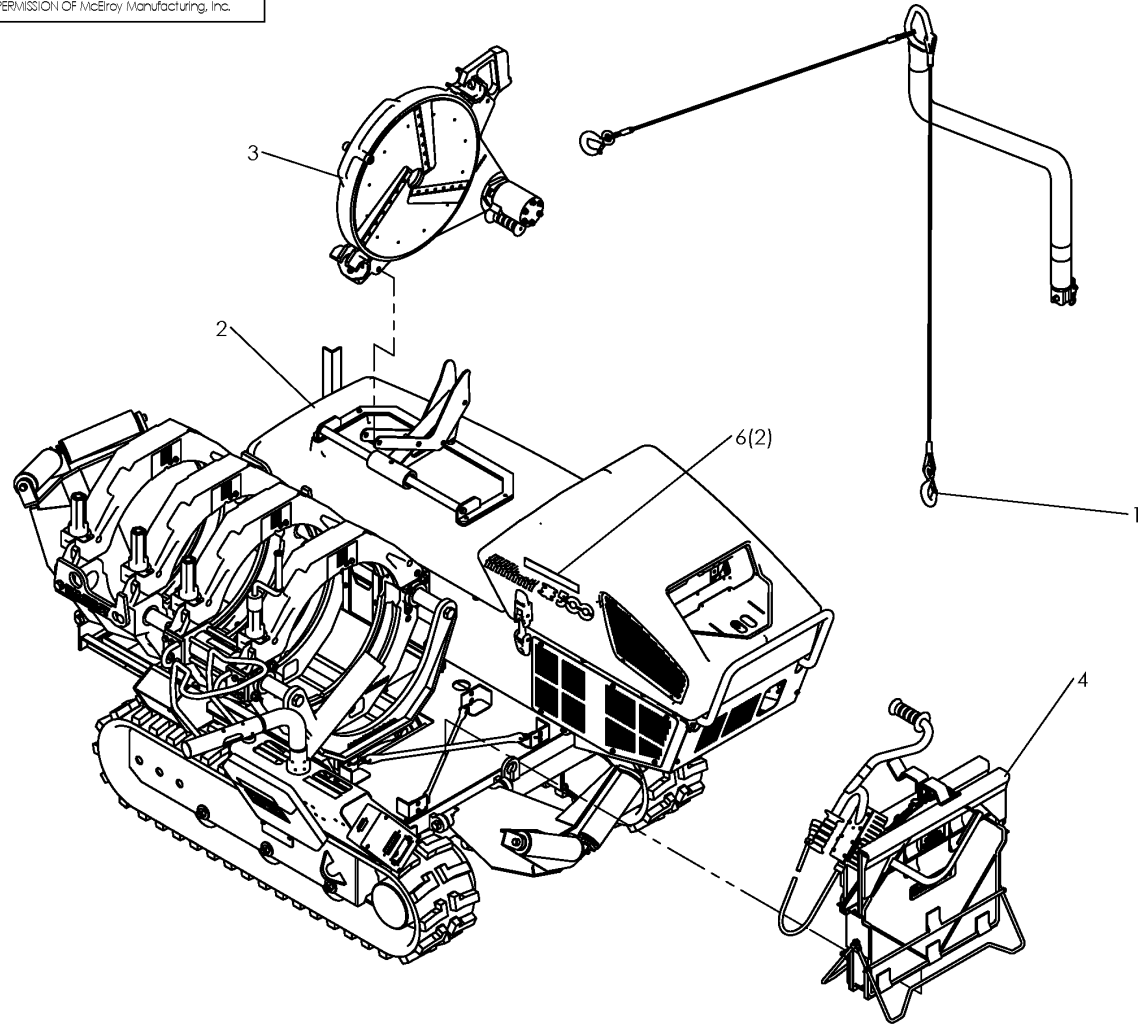


McElroy Manufacturing, Inc.  
The leader by design.  
Tulsa, Oklahoma U.S.A.

DRAWN: ERA    CHECK: TKD    APPRVD: MRP    DATE: 09/20/11    SHT No: 3    REV No:    PART No: AT5036103\_04

TracStar® 500 II AUTOMATED FUSION MACHINE PACKAGE

NOTE: THIS DRAWING AND THE INFORMATION CONTAINED THEREIN IS THE CONFIDENTIAL AND PROPRIETARY PROPERTY OF McElroy Manufacturing, Inc. THE DRAWING IS NOT TO BE REPRODUCED IN ANY MANNER, SUBMITTED TO OUTSIDE PARTIES FOR EXAMINATION, OR USED DIRECTLY OR INDIRECTLY FOR THE PURPOSES OTHER THAN THOSE FOR WHICH IT WAS FURNISHED WITHOUT WRITTEN PERMISSION OF McElroy Manufacturing, Inc.



## McElroy Manufacturing Parts List

**Part Number:** AT5036104 Obsolete (TracStar 500 II Automated MF Fusion Machine Package) (-6/2015)

### Part Number AT5036104 Component List

Item	Component	Description	Quantity	Unit	Price
1	T5009001	TracStar 500 Lifting Sling	1.0	EA	1,421.00
2	T5036104	Obsolete	1.0	EA	0.00
3	T5000603	TracStar 500 II Coach Equipped Facer Assembly	1.0	EA	0.00
4	T5008001	TracStar 500/TracStar 500 II Coach 12-20IPS Heater Assembly	1.0	EA	6,385.00
5	AT5040101	Usb Thumb Drive Adapter Kit	1.0	EA	962.00
6	8163144	Automated Branding Label	2.0	EA	0.00

Please visit <https://fusion.mcelroy.com/parts> to purchase parts or for more information.

