

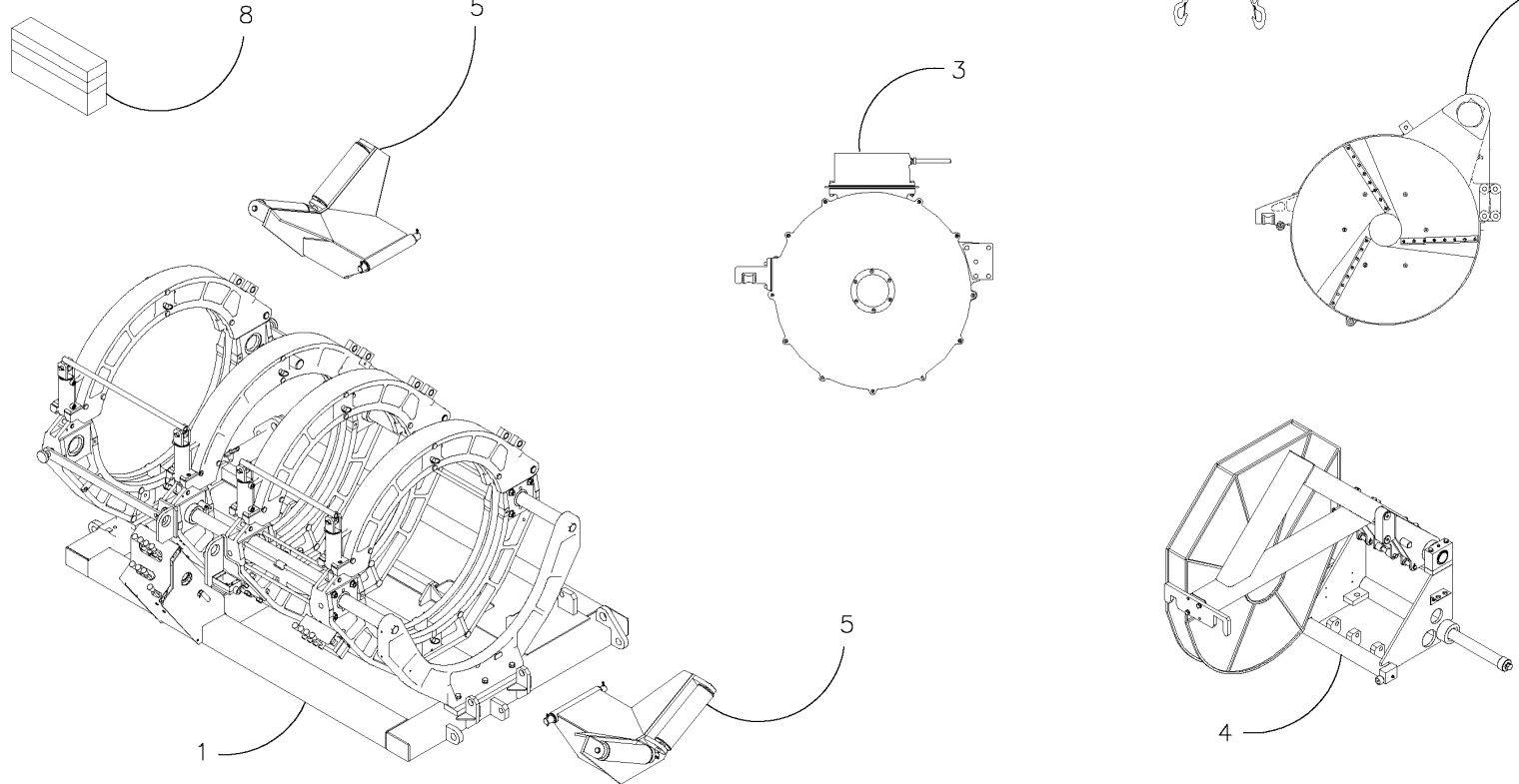


McElroy Manufacturing, Inc.
 The leader by design.
 Tulsa, Oklahoma U.S.A.

DRAWN: ARB	CHECK: TKD	APPRV'D: SWB	DATE: 7/18/07	DWG No: AT9000400	SHT No: 4	REV No:	PART No: AT9000406_7_8
TracStar 900 CARRIAGE WITH HEATER/FACER/INDEXER PACKAGE							CAD No: AT9000406_7_8

NOTE: THIS DRAWING AND THE INFORMATION CONTAINED THEREIN IS THE CONFIDENTIAL AND PROPRIETARY PROPERTY OF McElroy Manufacturing, Inc. THE DRAWING IS NOT TO BE REPRODUCED IN ANY MANNER, SUBMITTED OUTSIDE PARTIES FOR EXAMINATION, OR USED DIRECTLY OR INDIRECTLY FOR THE PURPOSES OTHER THAN THOSE FOR WHICH IT WAS FURNISHED WITHOUT WRITTEN PERMISSION OF McElroy Manufacturing, Inc.

1. AT9000402 TracStar 900 HIGH FORCE CARRIAGE ASSEMBLY PACKAGE
1. AT9000403 TracStar 900 MEDIUM FORCE CARRIAGE ASSEMBLY PACKAGE
1. AT9000404 TracStar 900 LOW FORCE CARRIAGE ASSEMBLY PACKAGE
2. 3616301 #1236 FACER ASSEMBLY
3. 3617401 #1236 BUTT PLATE HEATER ASSEMBLY
4. T9003901 TracStar 900 INDEXER ASSEMBLY
5. T9005401 TracStar 900 PIPE LIFT ASSEMBLY
6. T9014702 TracStar 900 CARRIAGE ELECTRIC POWER ASSEMBLY (NOT SHOWN)
7. T9000601 TracStar 900 SPREADER BAR ASSEMBLY
8. T9018001 TracStar 900 HEATER SUPPORT BLOCK ASSEMBLY



McElroy Manufacturing Parts List

Part Number: AT9000407 TracStar 900 MF Carriage w/Heater/Facer/Indexer Package

Part Number AT9000407 Component List

Item	Component	Description	Quantity	Unit	Price
1	AT9000403	TracStar 900 MF Carriage Assembly Package	1.0	EA	0.00
2	3616301	1236 Facer Assembly	1.0	EA	39,145.00
3	3617401	1236 Butt Plate Heater Assembly	1.0	EA	21,052.00
4	T9003901	TracStar 900 Indexer Assembly	1.0	EA	0.00
5	T9005401	TracStar 900 Pipe Lift Assembly	2.0	EA	3,838.00
6	T9014702	TracStar 900 Carriage Electrical Power Assembly	1.0	EA	0.00
7	T9000601	TracStar 900 Spreader Bar Assembly	1.0	EA	4,284.00
8	T9018001	T900 Heater Support Block Assy	1.0	EA	78.73

Please visit <https://fusion.mcelroy.com/parts> to purchase parts or for more information.

