

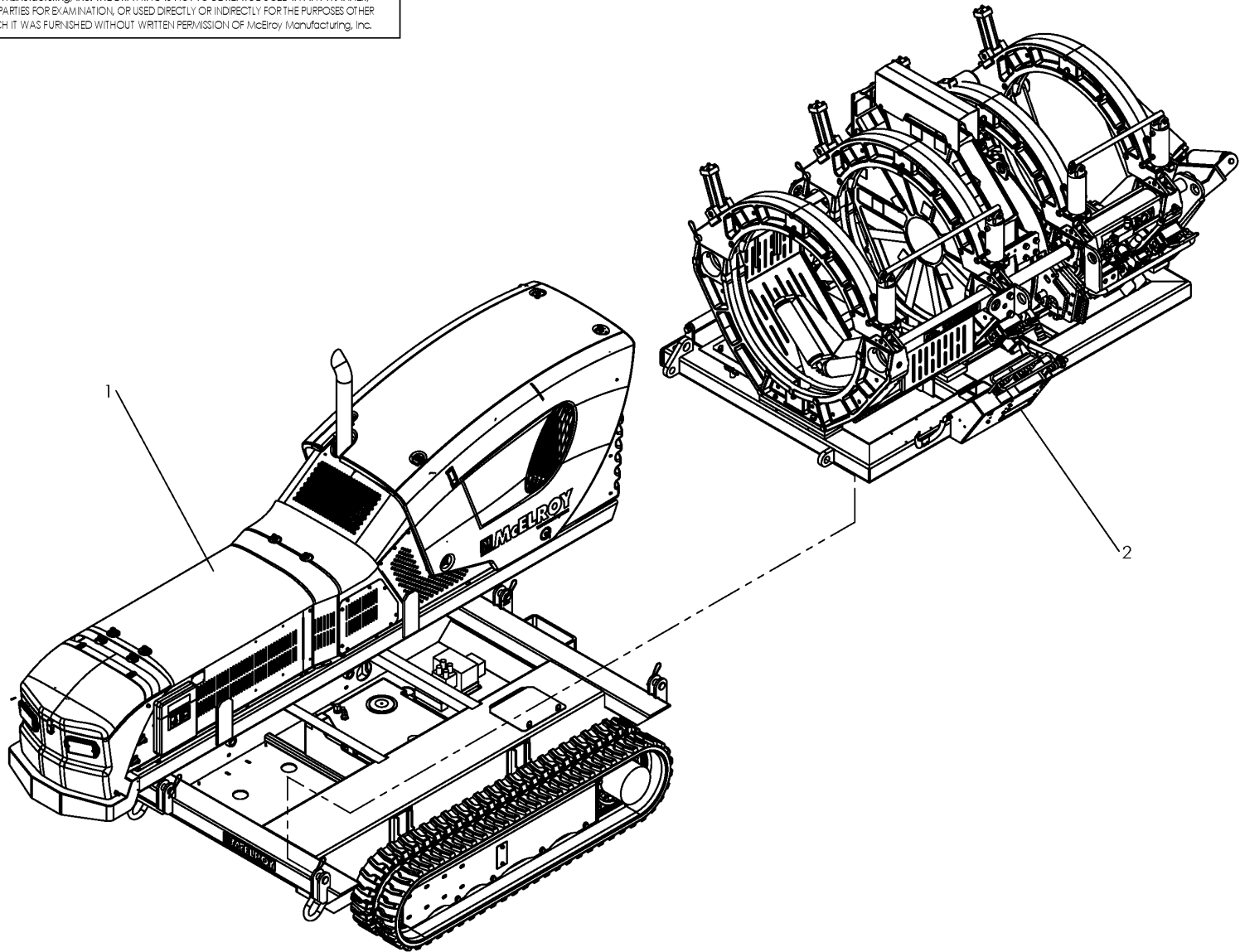


McElroy Manufacturing, Inc.  
The leader by design.  
Tulsa, Oklahoma U.S.A.

DRAWN: MRH    CHECK: SPA    APPR'VD: BWJ    DATE: 5/23/16    SHT No: 1A    REV No: B    PART No: AT9057800

TracStar® 900 SERIES 2 FUSION MACHINE PACKAGE

NOTE: THIS DRAWING AND THE INFORMATION CONTAINED THEREIN IS THE CONFIDENTIAL AND PROPRIETARY PROPERTY OF McElroy Manufacturing, Inc. THE DRAWING IS NOT TO BE REPRODUCED IN ANY MANNER, SUBMITTED TO OUTSIDE PARTIES FOR EXAMINATION, OR USED DIRECTLY OR INDIRECTLY FOR THE PURPOSES OTHER THAN THOSE FOR WHICH IT WAS FURNISHED WITHOUT WRITTEN PERMISSION OF McElroy Manufacturing, Inc.





McElroy Manufacturing, Inc.

The leader by design.

Tulsa, Oklahoma U.S.A.

DRAWN: MRH

CHECK: SPA

APPRVD: BWJ

DATE: 5/23/16

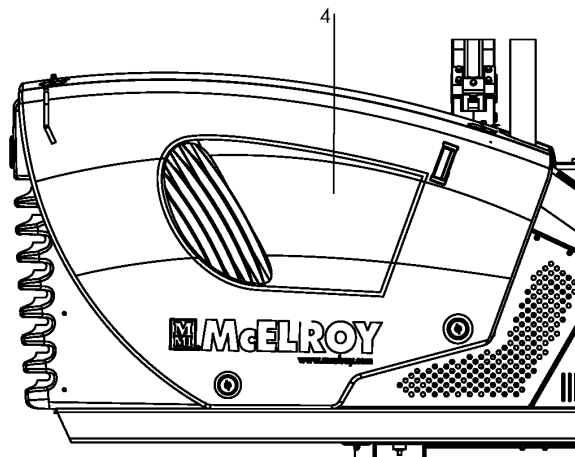
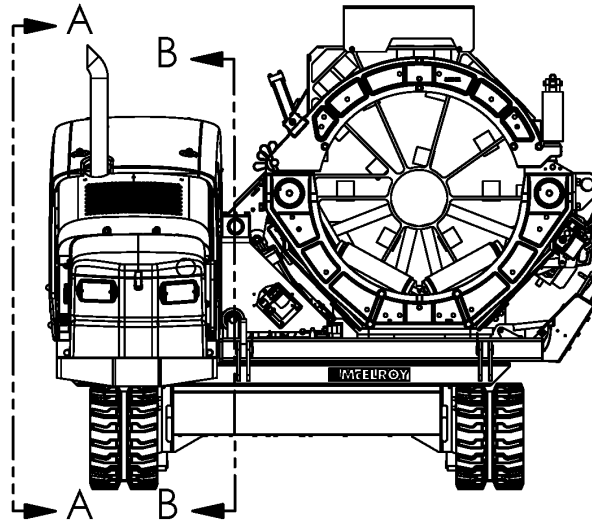
SHT No: 1B

REV No: B

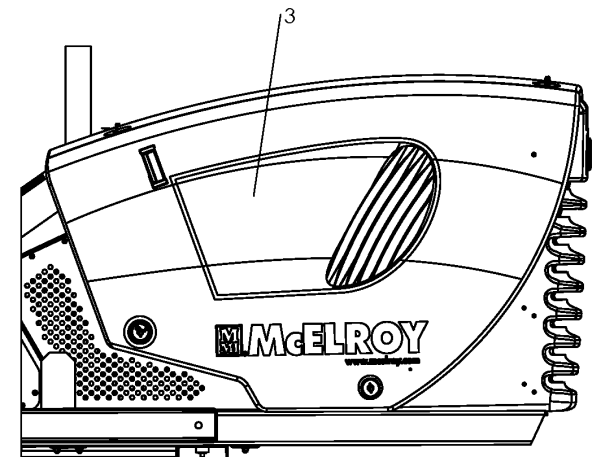
PART No: AT9057800

TracStar® 900 SERIES 2 FUSION MACHINE PACKAGE

NOTE: THIS DRAWING AND THE INFORMATION CONTAINED THEREIN IS THE CONFIDENTIAL AND PROPRIETARY PROPERTY OF McElroy Manufacturing, Inc. THE DRAWING IS NOT TO BE REPRODUCED IN ANY MANNER, SUBMITTED TO OUTSIDE PARTIES FOR EXAMINATION, OR USED DIRECTLY OR INDIRECTLY FOR THE PURPOSES OTHER THAN THOSE FOR WHICH IT WAS FURNISHED WITHOUT WRITTEN PERMISSION OF McElroy Manufacturing, Inc.



SECTION A-A



SECTION B-B

### McElroy Manufacturing Parts List

**Part Number:** AT9057806 Replaced by AT900P0888648 (TracStar 900 Series 2 HS MF Fusion Machine Package)

**Part Number AT9057806 Component List**

Item	Component	Description	Quantity	Unit	Price
1	AT9059204	TracStar 630/TracStar 900 Series 2 HS Track Vehicle Package	1.0	EA	0.00
2	AT9058302	PitBull 900 Series 2 220-240V MF Fusion Machine Package	1.0	EA	282,111.00
3	T9055101	T900 Rgt Sid Trkd Rear Cwl Lbl	1.0	EA	89.90
4	T9055201	T900 Lft Sid Trkd Rear Cwl Lbl	1.0	EA	54.41

Please visit <https://fusion.mcelroy.com/parts> to purchase parts or for more information.

