



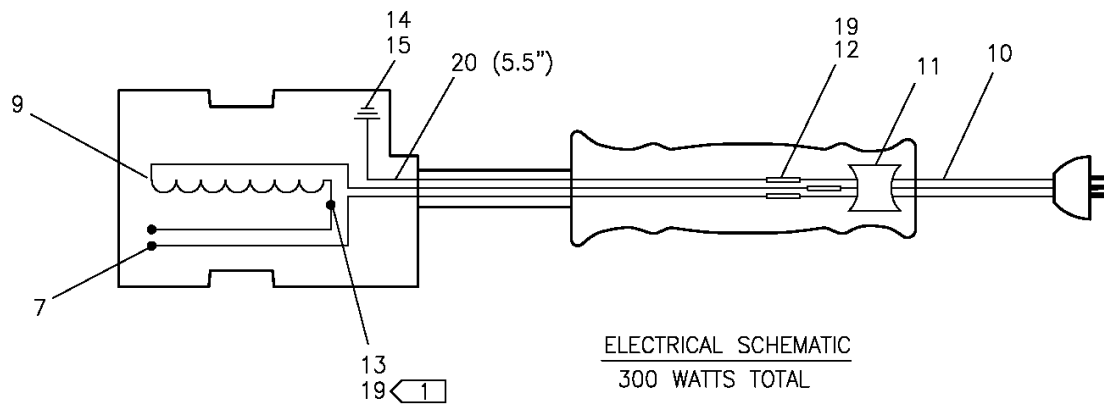
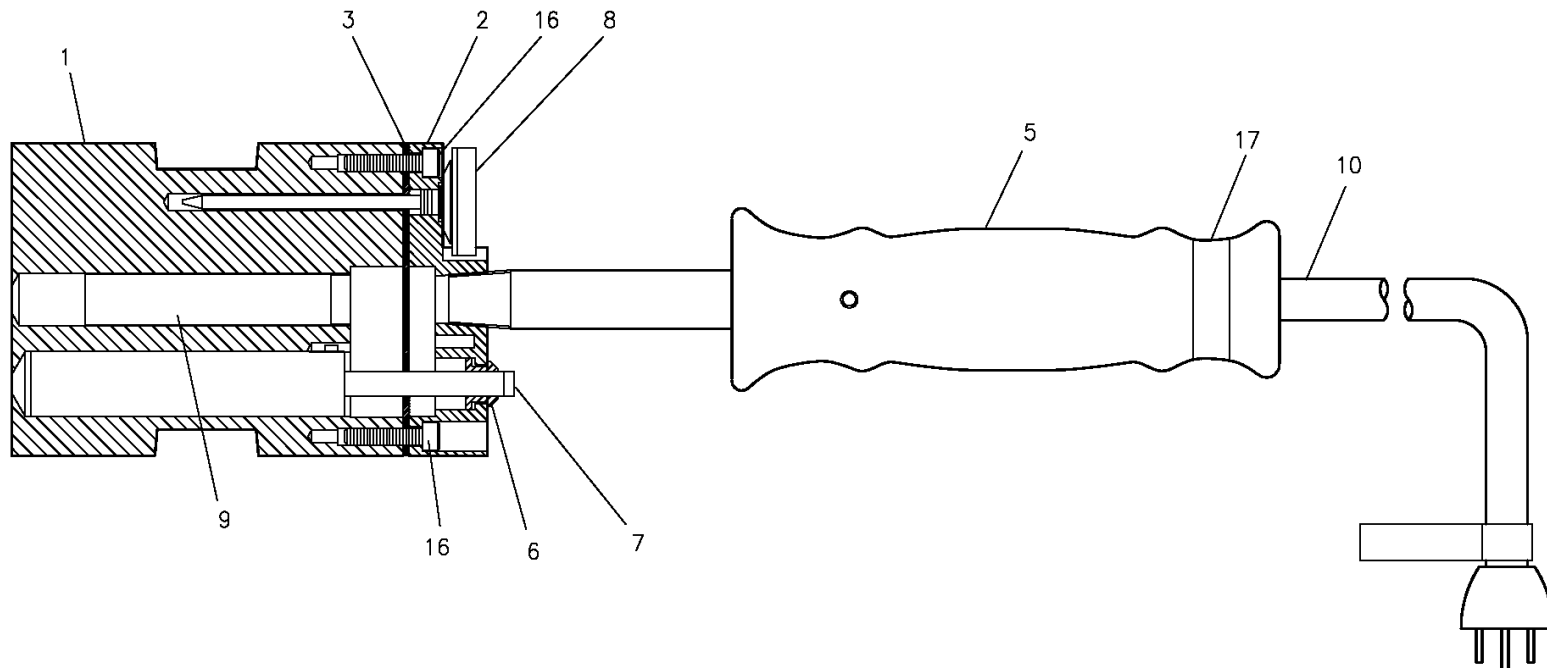
McElroy Manufacturing, Inc.
 The leader by design.
 Tulsa, Oklahoma U.S.A.

DRAWN: DOUG	CHECK: JMC	APPRV'D: B	DATE: 1/7/91	DWG No: CTS00700	SHT No: 2	REV No: K	PART No: CTS00702
1" IPS Mini-Mc HEATER ASSEMBLY 100-120V, 50/60Hz, 1Ph							CAD No: CTS00702

NOTE: THIS DRAWING AND THE INFORMATION CONTAINED THEREIN IS THE CONFIDENTIAL AND PROPRIETARY PROPERTY OF McElroy Manufacturing, Inc. THE DRAWING IS NOT TO BE REPRODUCED IN ANY MANNER, SUBMITTED OUTSIDE PARTIES FOR EXAMINATION, OR USED DIRECTLY OR INDIRECTLY FOR THE PURPOSES OTHER THAN THOSE FOR WHICH IT WAS FURNISHED WITHOUT WRITTEN PERMISSION OF McElroy Manufacturing, Inc.

NOTES:

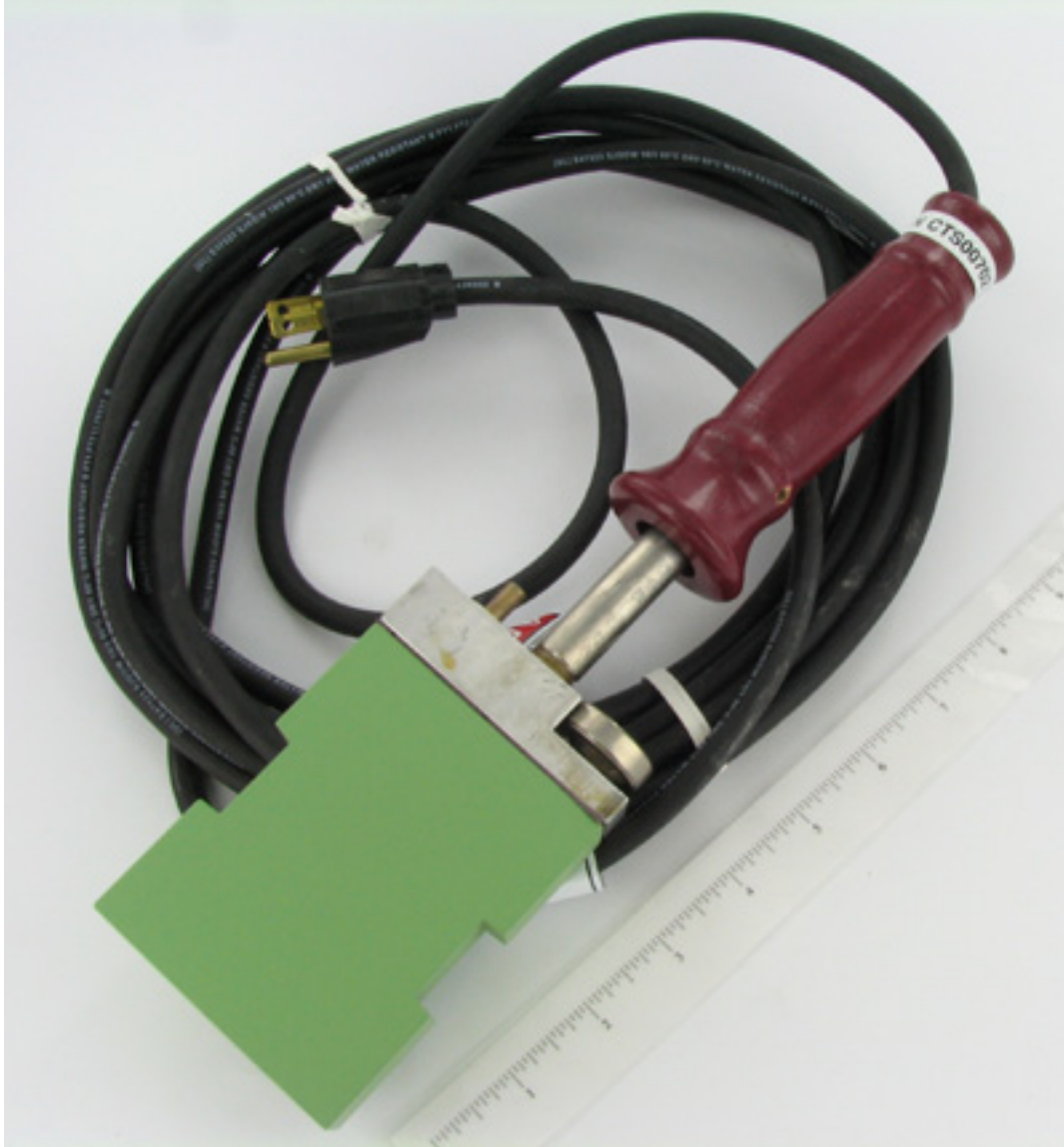
1. USE SLEEVING (ITEM 19) TO COVER EXPOSED WIRING.
2. SPLICE LEADS IN HANDLE.



ELECTRICAL SCHEMATIC
 300 WATTS TOTAL

McElroy Manufacturing Parts List

Part Number: CTS00702 MiniMc 100-120V,50/60Hz,1Ph Heater Assembly



Mnmc 100-120,50/60,1 htr assy

Part Number CTS00702 Component List

Item	Component	Description	Quantity	Unit	Price
1	CTS01002	Htr Body	1.0	EA	220.00
2	CTS01102	Cover Plate	1.0	EA	109.00
3	CTS01201	Terminal Enclosure Gasket	1.0	EA	2.45
4	206101	Htr Handle Nipple	1.0	EA	39.82
5	409801	Handle Mod	1.0	EA	58.23
6	215601	Mlmc Htr Grommet	1.0	EA	11.28
7	MLC00010	Thermoswitch Mod	1.0	EA	305.00
8	MJK00002	2.5LG,150-650DEG F Thermometer	1.0	EA	48.72
9	MLD00010	120V, 300W, 1/2X2-1/2 Crtg Htr	1.0	EA	53.08
10	MLE00017	Replaced by 434202 OR A434202 (Effective 1/7/91 to 11/27/17)	1.0	EA	0.00
10	434202	13AMP/120V Power Cord	1.0	EA	45.10
11	MLN00010	5/16" Strain Relief Clamp	1.0	EA	1.35
12	MLM00003	14-16 Butt Splice	3.0	EA	0.42
13	MJQ00046	Ferrule (Effective 1/7/91 to 1/13/21)	1.0	EA	1.02
13	MLM00040	18-22 Hi-temp Butt Splice	1.0	EA	1.04
14	MLM00004	18-22 X #6 Ring Term, Non-insu	1.0	EA	1.03
15	MAH00036	#6-32NCX3/8LG Hwh TC Scr	1.0	EA	0.29
16	MAH00042	#8-32NCX1/2LG Shcs SS	4.0	EA	0.39

McElroy Manufacturing Parts List

Part Number: CTS00702 MiniMc 100-120V,50/60Hz,1Ph Heater Assembly

17	816360	Model CTS00702 Part NO Label	1.0 EA	0.00
18	410906	Dng Not Expln Proof Tag Label (Effective 3/13/97 to 11/27/17)	1.0 EA	4.20
19	MLW00002	0.133ID Fiberglas Sleeve(roll)	0.333 FT	2.08
20	MLL00214	#18 Type Tggt Wire, Green/yel	0.46 FT	1.78

Please visit <https://fusion.mcelroy.com/parts> to purchase parts or for more information.

