



McElroy Manufacturing, Inc.
The leader by design.
Tulsa, Oklahoma U.S.A.

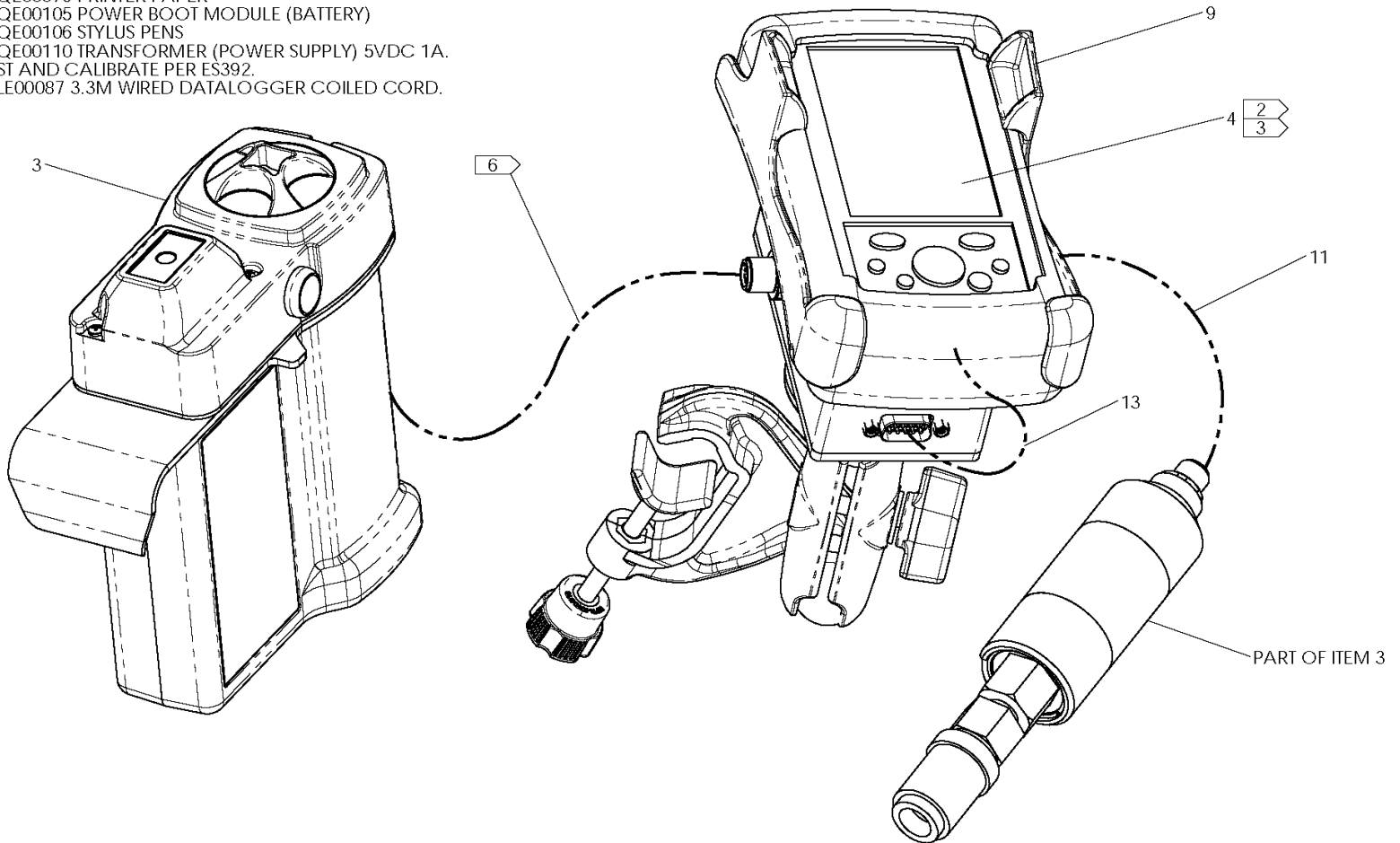
DRAWN: FAW CHECK: LTD APPRVD: JRP DATE: 8/17/09 SHT No: 4A REV No: F PART No: DL6304

WIRED DATALOGGER PACKAGE 120/240V, 60HZ, W/RUGGED PPC & RAM MOUNT

NOTE: THIS DRAWING AND THE INFORMATION CONTAINED THEREIN IS THE CONFIDENTIAL AND PROPRIETARY PROPERTY OF McElroy Manufacturing, Inc. THE DRAWING IS NOT TO BE REPRODUCED IN ANY MANNER, SUBMITTED TO OUTSIDE PARTIES FOR EXAMINATION, OR USED DIRECTLY OR INDIRECTLY FOR THE PURPOSES OTHER THAN THOSE FOR WHICH IT WAS FURNISHED WITHOUT WRITTEN PERMISSION OF McElroy Manufacturing, Inc.

NOTES:

1. PLACE ALL ITEMS GOING IN CASE ORGANIZER IN ZIP-LIP 10"X12" PLASTIC BAG
2. ITEM 4 INCLUDES COMPUTER MANUAL, BATTERY CHARGER, BATTERY, AND SYNC. CABLE.
3. PLACE ITEM 4 IN ITEM 9. CONNECT ITEM 4 TO ITEM 9 WITH ITEM 13.
4. OPTIONAL ACCESSORIES AND SPARES NOT SHOWN INCLUDE:
MQE00077 PRINTER
MKG00029 PRINTER BATTERY PACK
MQE00075 PRINTER A.C. ADAPTER
MQE00076 PRINTER PAPER
MQE00105 POWER BOOT MODULE (BATTERY)
MQE00106 STYLUS PENS
MQE00110 TRANSFORMER (POWER SUPPLY) 5VDC 1A.
5. TEST AND CALIBRATE PER ES392.
6. MLE00087 3.3M WIRED DATALOGGER COILED CORD.





McElroy Manufacturing, Inc.
The leader by design.
Tulsa, Oklahoma U.S.A.

DRAWN: FAW

CHECK: LTD

APPRVD: JRP

DATE: 8/17/09

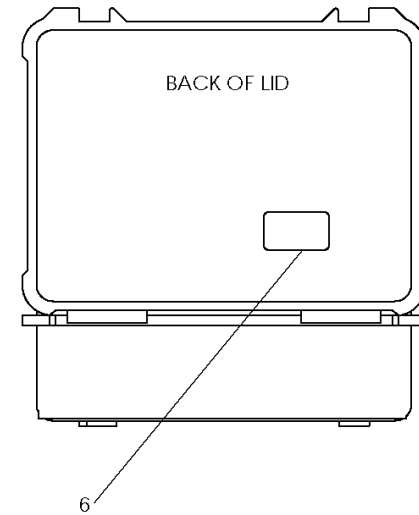
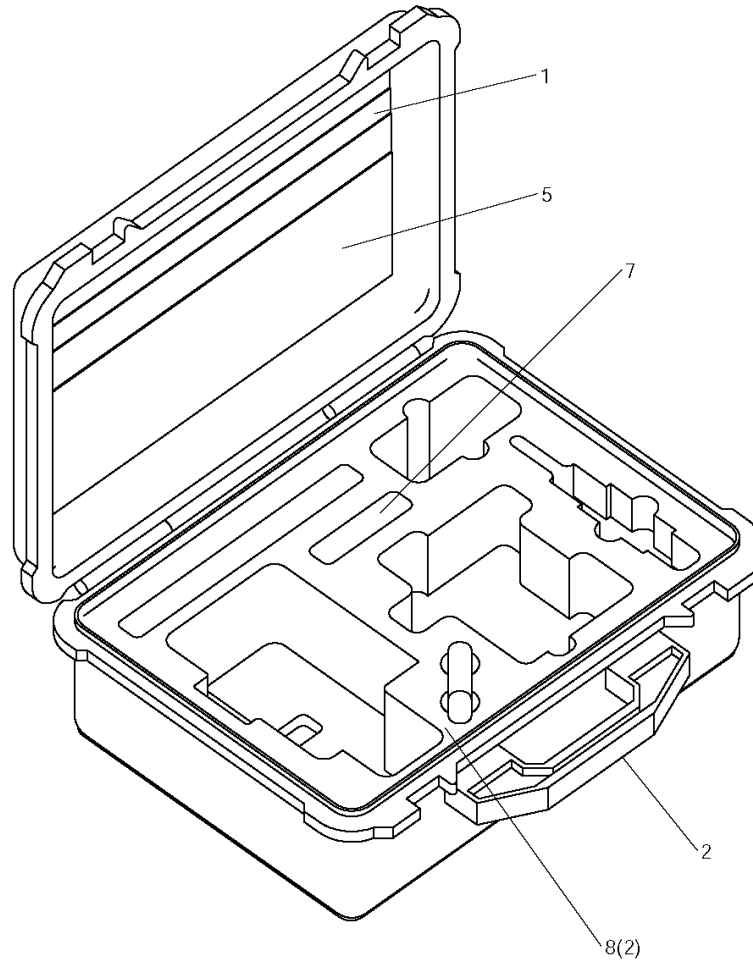
SHT No: 4B

REV No: F

PART No: DL6304

WIRED DATALOGGER PACKAGE 120/240V, 60HZ, W/RUGGED PPC & RAM MOUNT

NOTE: THIS DRAWING AND THE INFORMATION CONTAINED THEREIN IS THE CONFIDENTIAL AND PROPRIETARY PROPERTY OF McElroy Manufacturing, Inc. THE DRAWING IS NOT TO BE REPRODUCED IN ANY MANNER, SUBMITTED TO OUTSIDE PARTIES FOR EXAMINATION, OR USED DIRECTLY OR INDIRECTLY FOR THE PURPOSES OTHER THAN THOSE FOR WHICH IT WAS FURNISHED WITHOUT WRITTEN PERMISSION OF McElroy Manufacturing, Inc.



McElroy Manufacturing Parts List

Part Number: DL6304 Wired Datalogger 120/240V,60Hz,1Ph Package w/ Rugged PPC & Ram Mount (Obsolete) (8/2009-5/2013)

Part Number DL6304 Component List

Item	Component	Description	Quantity	Unit	Price
1	DL10501	Wired & Wireless Datalogger Operator's Manual (Effective to 8/16/10)	1.0	EA	0.00
1	DL6503	Datalogger with Rugged PPC Operator's Manual (Effective to 1/20/10)	1.0	EA	0.00
2	DL6403	Case W/foam Insert&lid Orgnizr	1.0	EA	800.00
3	DL8101	Wired DataLogger Housing Assembly	1.0	EA	0.00
4	DL7203	Wired Rugged Pocket PC Mod	1.0	EA	0.00
5	DL1503	Tip Card	1.0	EA	0.00
6	DL6701	Case Label	1.0	EA	0.00
7	ADL6001	Connecting Fitting Kit (Effective to 4/3/13)	1.0	EA	133.00
8	MKG00030	Alkaline Industrial D Cell	2.0	EA	0.00
9	DL8301	Wired DataLogger Junction Box & Mount Assembly	1.0	EA	832.00
10	DL10201	4000 PSI Pressure Transducer Assembly (Effective to 1/11/10)	1.0	EA	0.00
11	MLE00087	3.3m Wired DL Coiled Cord (Effective to 5/20/10)	1.0	EA	0.00
11	MLE00089	1.2m Press. Probe Coiled Cord	1.0	EA	0.00
13	MQG00069	1ft Serial Cable F-F	1.0	EA	0.00

Please visit <https://fusion.mcelroy.com/parts> to purchase parts or for more information.