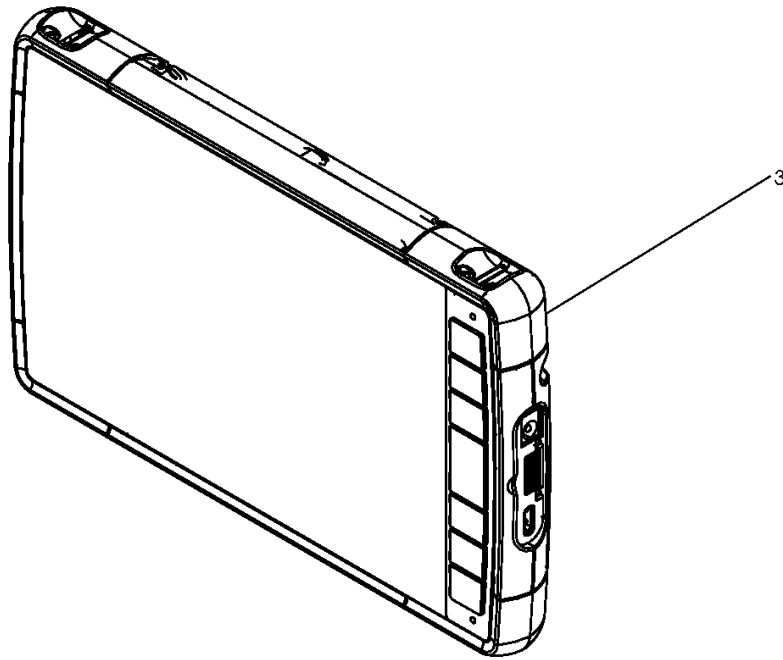


DataLogger® 7 TABLET

NOTE: THIS DRAWING AND THE INFORMATION CONTAINED THEREIN IS THE CONFIDENTIAL AND PROPRIETARY PROPERTY OF McElroy Manufacturing, Inc. THE DRAWING IS NOT TO BE REPRODUCED IN ANY MANNER, SUBMITTED TO OUTSIDE PARTIES FOR EXAMINATION, OR USED DIRECTLY OR INDIRECTLY FOR THE PURPOSES OTHER THAN THOSE FOR WHICH IT WAS FURNISHED WITHOUT WRITTEN PERMISSION OF McElroy Manufacturing, Inc.

NOTES:

1. INSTALL BATTERY AND MICRO SD CARD IN TABLET.
2. FORMAT MICRO SD CARD AND INSTALL Datalogger® SOFTWARE PER.
3. A. ORDER MQEP0853074 FOR REPLACEMENT CRADLE.
B. ORDER MQEP0853128 FOR REPLACEMENT BATTERY.
C. ORDER MQEP0857569 FOR REPLACEMENT AC WALL CHARGER.
D. ORDER MQEP0857565 FOR REPLACEMENT STYLUS.
E. ORDER MQEP0857589 FOR REPLACEMENT SCREEN PROTECTOR.
- 4.



McElroy Manufacturing Parts List

Part Number: DLP0857708 Datalogger 7 Tablet

Part Number DLP0857708 Component List

Item	Component	Description	Quantity	Unit	Price
1	DLP0857706	I Series/dl Software	1.0	EA	0.00
2	MQE00215	Micro SD Card	1.0	EA	22.75
3	MQEP0853427	Datalogger Mesa 3 Tablet	1.0	EA	0.00

Please visit <https://fusion.mcelroy.com/parts> to purchase parts or for more information.

