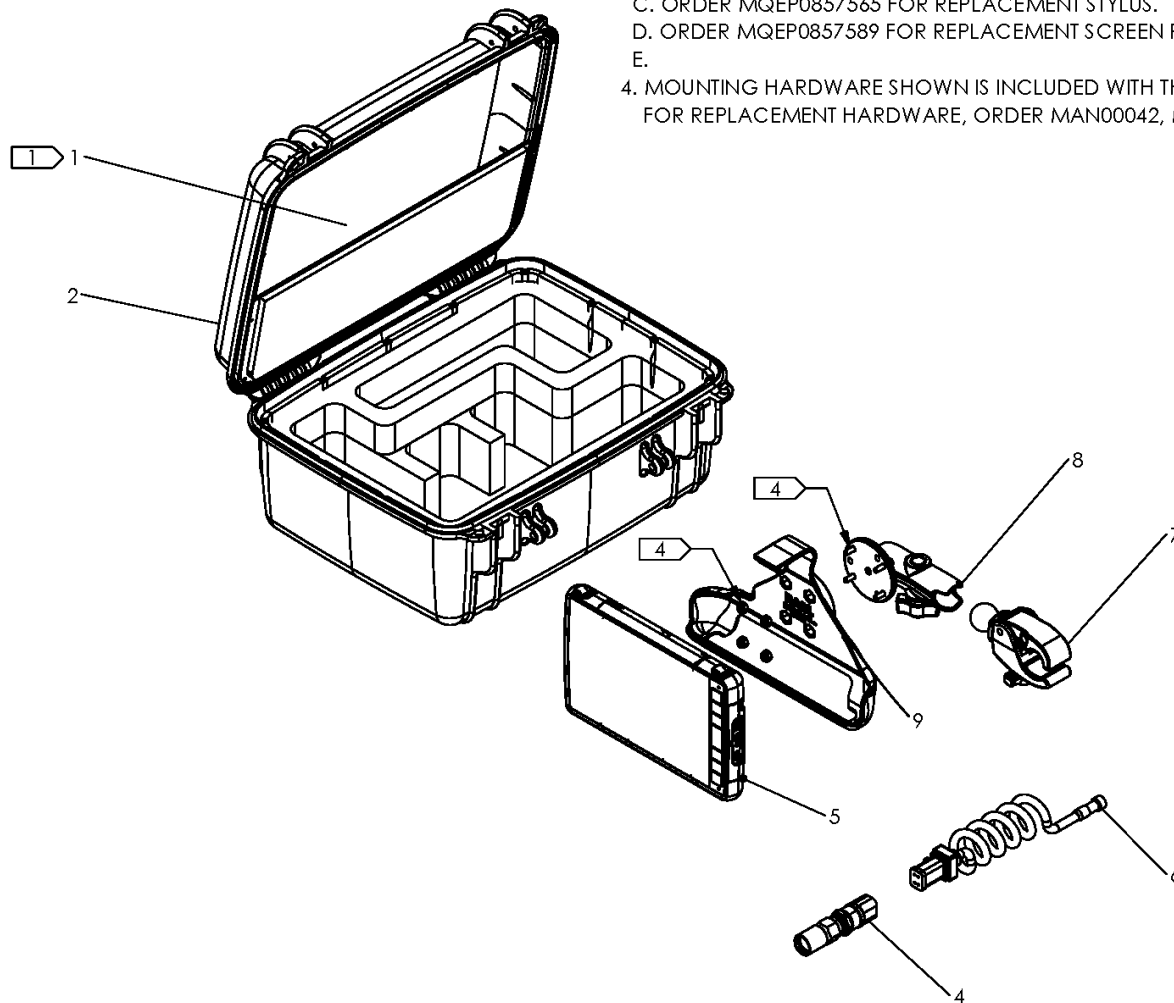


Datalogger® 7 Package

NOTE: THIS DRAWING AND THE INFORMATION CONTAINED THEREIN IS THE CONFIDENTIAL AND PROPRIETARY PROPERTY OF McElroy Manufacturing, Inc. THE DRAWING IS NOT TO BE REPRODUCED IN ANY MANNER, SUBMITTED TO OUTSIDE PARTIES FOR EXAMINATION, OR USED DIRECTLY OR INDIRECTLY FOR THE PURPOSES OTHER THAN THOSE FOR WHICH IT WAS FURNISHED WITHOUT WRITTEN PERMISSION OF McElroy Manufacturing, Inc.

NOTES:

1. AFFIX LABEL TO TOP OF CASE IN THE RECESSED AREA.
2. PLACE Datalogger® CALIBRATION SHEET, PROTECTIVE FILM, TABLET QUICK START GUIDE AND STYLUS IN PLASTIC BAG AND PLACE IN LID DIVIDER.
3. PLACE Datalogger® INSERT CARD ON TOP OF Datalogger® SCREEN.
 - A. ORDER MQEP0853128 FOR REPLACEMENT BATTERY.
 - B. ORDER MQEP0857569 FOR REPLACEMENT AC WALL CHARGER.
 - C. ORDER MQEP0857565 FOR REPLACEMENT STYLUS.
 - D. ORDER MQEP0857589 FOR REPLACEMENT SCREEN PROTECTOR.
 - E.
4. MOUNTING HARDWARE SHOWN IS INCLUDED WITH THE CRADLE.
FOR REPLACEMENT HARDWARE, ORDER MAN00042, MBC00003.



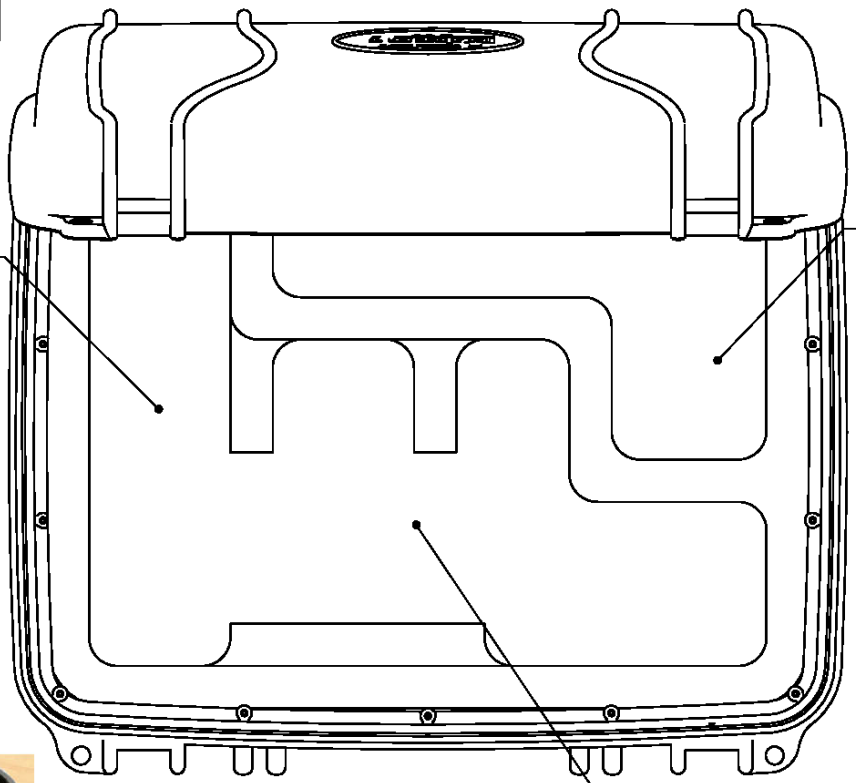
Datalogger® 7 Package

NOTE: THIS DRAWING AND THE INFORMATION CONTAINED THEREIN IS THE CONFIDENTIAL AND PROPRIETARY PROPERTY OF McElroy Manufacturing, Inc. THE DRAWING IS NOT TO BE REPRODUCED IN ANY MANNER, SUBMITTED TO OUTSIDE PARTIES FOR EXAMINATION, OR USED DIRECTLY OR INDIRECTLY FOR THE PURPOSES OTHER THAN THOSE FOR WHICH IT WAS FURNISHED WITHOUT WRITTEN PERMISSION OF McElroy Manufacturing, Inc.

PLACE PRESSURE AND TRANSDUCER CABLE HERE

PLACE AC WALL ADAPTER AND PLUGS HERE

PLACE TABLET WITH CRADLE AND ARM ATTACHED HERE



McElroy Manufacturing Parts List

Part Number: DLP0857716 Datalogger 7 Package

Part Number DLP0857716 Component List

Item	Component	Description	Quantity	Unit	Price
1	DLP0844217	DL 7 Case Label	1.0	EA	15.56
2	DLP0855912	DL 7 Case W/ Foam	1.0	EA	329.00
3	DLP0857596	Datalogger 7 Quick Start Guide (Effective to 7/6/22)	1.0	EA	8.26
3	DLP0958415	Datalogger Insert Card	1.0	EA	2.17
4	DLP0857704	Datalogger 7 Pressure Transducer Assembly	1.0	EA	755.00
5	DLP0857708	Datalogger 7 Tablet	1.0	EA	7,190.00
6	MLEP0853152	Repl MLEP1048736 Datatranscabl (Effective to 5/26/25)	1.0	EA	0.00
6	MLEP1048736	Datalogger Transducer Cable	1.0	EA	291.00
7	MQE00222	Claw Mount	1.0	EA	61.14
8	MQE00223	Arm With Round Base	1.0	EA	42.25
9	MQEP0853074	Cradle for MQEP0853425,427	1.0	EA	146.00

Please visit <https://fusion.mcelroy.com/parts> to purchase parts or for more information.