



McElroy Manufacturing, Inc.  
The leader by design.  
Tulsa, Oklahoma U.S.A.

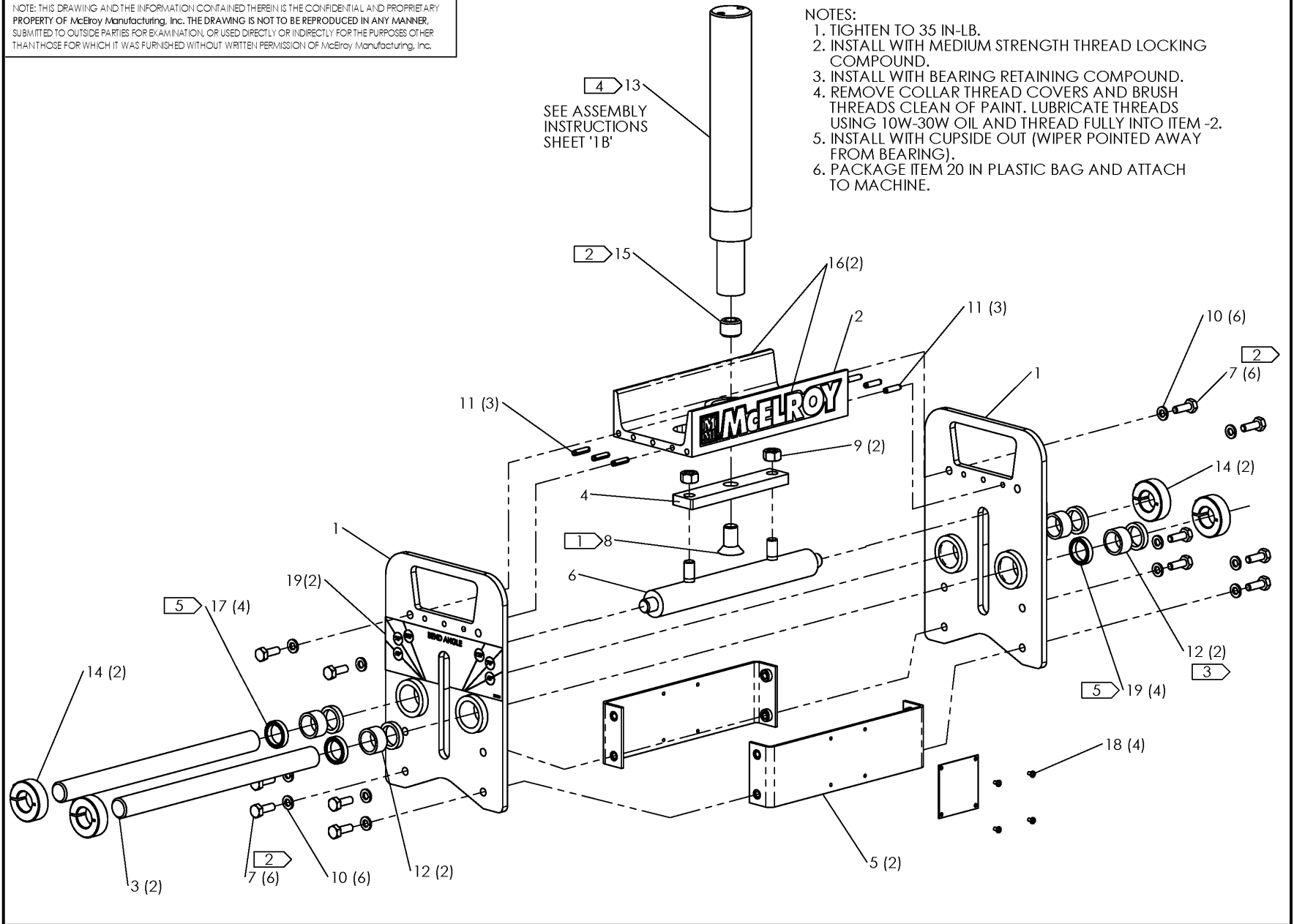
DRAWN: FAW CHECK: JAL APPRVD: DWP DATE: 3/19/10 SHT No: 1A REV No: F PART No: S05501

SIDE BEND TEST FIXTURE ASSEMBLY

NOTE: THIS DRAWING AND THE INFORMATION CONTAINED THEREIN IS THE CONFIDENTIAL AND PROPRIETARY PROPERTY OF McElroy Manufacturing, Inc. THE DRAWING IS NOT TO BE REPRODUCED IN ANY MANNER, SUBMITTED TO OUTSIDE PARTIES FOR EXAMINATION, OR USED DIRECTLY OR INDIRECTLY FOR THE PURPOSES OTHER THAN THOSE FOR WHICH IT WAS FURNISHED WITHOUT WRITTEN PERMISSION OF McElroy Manufacturing, Inc.

NOTES:

1. TIGHTEN TO 35 IN-LB.
2. INSTALL WITH MEDIUM STRENGTH THREAD LOCKING COMPOUND.
3. INSTALL WITH BEARING RETAINING COMPOUND.
4. REMOVE COLLAR THREAD COVERS AND BRUSH THREADS CLEAN OF PAINT. LUBRICATE THREADS USING 10W-30W OIL AND THREAD FULLY INTO ITEM -2.
5. INSTALL WITH CUP SIDE OUT (WIPER POINTED AWAY FROM BEARING).
6. PACKAGE ITEM 20 IN PLASTIC BAG AND ATTACH TO MACHINE.





McElroy Manufacturing, Inc.

The leader by design.

Tulsa, Oklahoma U.S.A.

DRAWN: FAW

CHECK: JAL

APPRVD: DWP

DATE: 3/19/10

SHT No: 1B

REV No: F

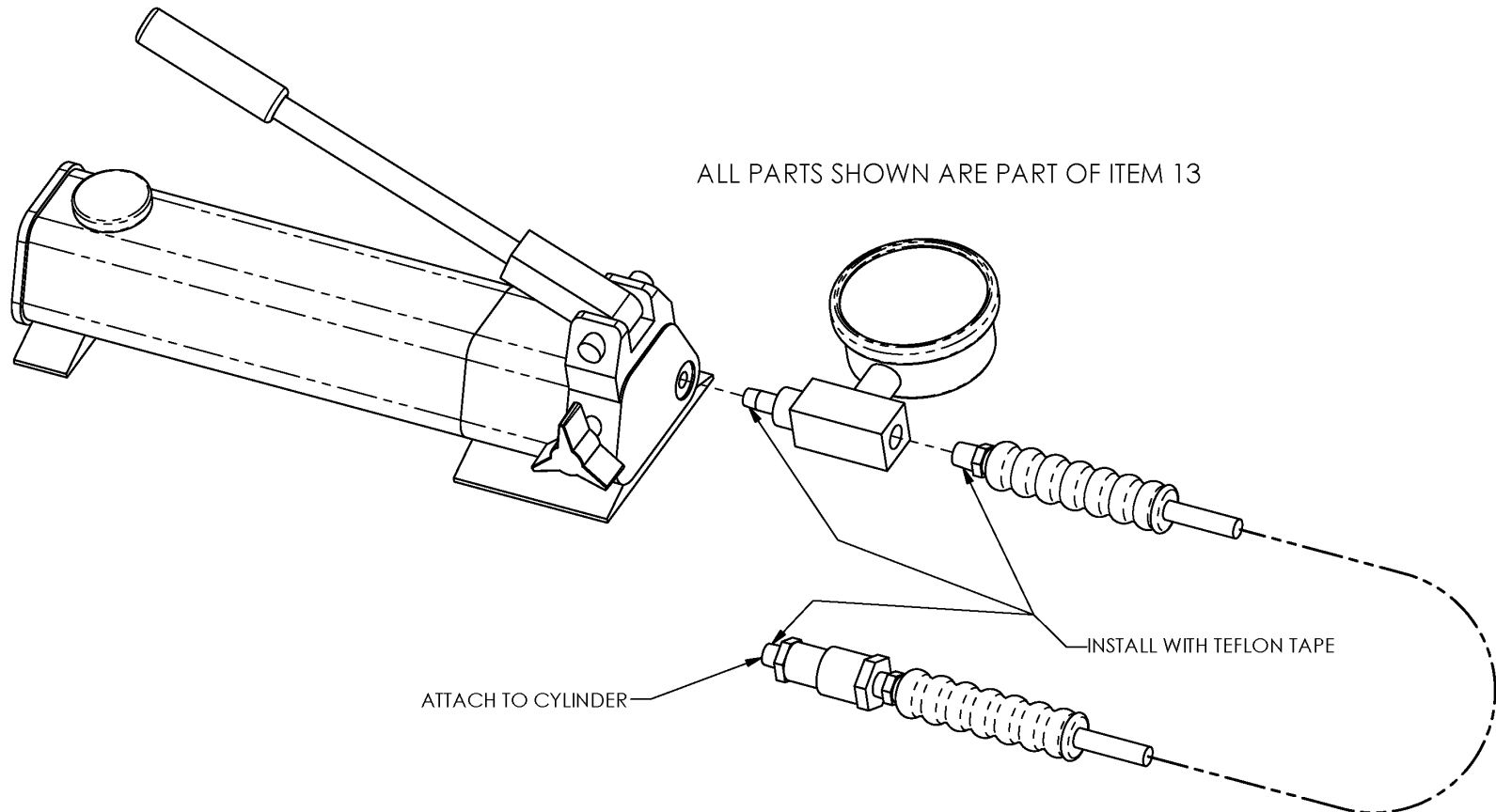
PART No: S05501

### SIDE BEND TEST FIXTURE ASSEMBLY

NOTE: THIS DRAWING AND THE INFORMATION CONTAINED THEREIN IS THE CONFIDENTIAL AND PROPRIETARY PROPERTY OF McElroy Manufacturing, Inc. THE DRAWING IS NOT TO BE REPRODUCED IN ANY MANNER, SUBMITTED TO OUTSIDE PARTIES FOR EXAMINATION, OR USED DIRECTLY OR INDIRECTLY FOR THE PURPOSES OTHER THAN THOSE FOR WHICH IT WAS FURNISHED WITHOUT WRITTEN PERMISSION OF McElroy Manufacturing, Inc.

#### INSTRUCTIONS:

1. REMOVE PLUG FROM PUMP END AND DISCARD.
2. INSTALL ADAPTER AND ORIENT AS SHOWN.
3. INSTALL GAUGE AND ORIENT AS SHOWN.
4. INSTALL HOSE.
5. AFTER ASSEMBLY CONNECT TO TESTER AND EXTEND AND RETRACT CYLINDER SEVERAL TIMES TO PURGE AIR.
6. DISCONNECT PUMP AND HOSE ASSEMBLY FROM CYLINDER AND INSTALL CAPS FOR SHIPPING.
- 7.



## McElroy Manufacturing Parts List

**Part Number:** S05501 Side Bend Test Fixture Assembly

### Part Number S05501 Component List

Item	Component	Description	Quantity	Unit	Price
1	S05601	Side Plate	2.0	EA	760.00
2	S05701	Channel	1.0	EA	0.00
3	S05801	Pin	2.0	EA	0.00
4	S05901	Pusher	1.0	EA	171.00
5	S06001	Brace	2.0	EA	0.00
6	S06101	1" Ram Assy	1.0	EA	420.00
7	MAB00003	1/4-20NCX3/4LG Hhcs	12.0	EA	0.31
8	MAN00085	1/2-13NCX3/4LG Fhscs SS	1.0	EA	0.00
9	MBA00007	3/8-16NC Fnsh Hex Nut Stl PL	2.0	EA	0.29
10	MBE00005	1/4 Reg Splt Lck Washer Stl PL	12.0	EA	0.10
11	MCG00046	3/16DIA X 3/4LG Coiled Sprng Pin	6.0	EA	0.00
12	MDM00410	Steel Needle Roller Bearing	4.0	EA	0.00
13	MEB00164	Cylinder and Pump Set	1.0	EA	3,016.00
14	MJQ00469	One Piece Clamp-on Collar	4.0	EA	15.46
15	S06201	Thread Reducer	1.0	EA	0.00
16	8163118	Small McElroy Branding Label	2.0	EA	5.18
17	MDL00050	0.75 ID X 0.999 OD 7410 Wiper	8.0	EA	12.08
18	MAH00093	#4-40NCX3/16LG Lock Scr	4.0	EA	0.32
19	S07201	Bend Angle Label	2.0	EA	15.18
20	S07202	Bend Angle Label	2.0	EA	15.18

Please visit <https://fusion.mcelroy.com/parts> to purchase parts or for more information.