



McElroy Manufacturing, Inc.
The leader by design.
Tulsa, Oklahoma U.S.A.

DRAWN: TLW

CHECK: BWP

APPRV'D: B

DATE: 5/19/95

SHT No: 1

REV No: E

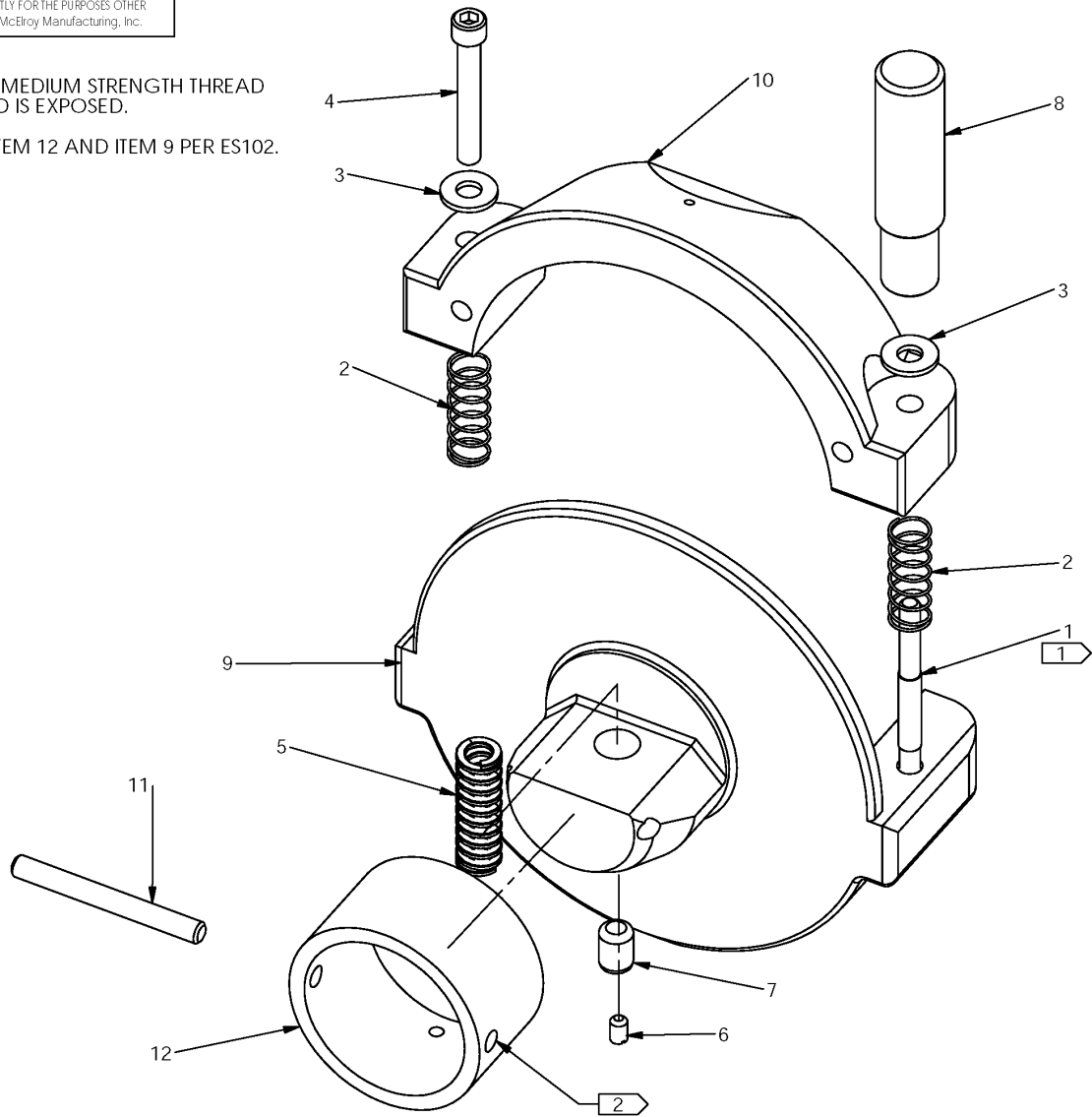
PART No: SW07301

4" IPS PIVOT RELEASE MASTER INSERT ASSEMBLY

NOTE: THIS DRAWING AND THE INFORMATION CONTAINED THEREIN IS THE CONFIDENTIAL AND PROPRIETARY PROPERTY OF McElroy Manufacturing, Inc. THE DRAWING IS NOT TO BE REPRODUCED IN ANY MANNER, SUBMITTED TO OUTSIDE PARTIES FOR EXAMINATION, OR USED DIRECTLY OR INDIRECTLY FOR THE PURPOSES OTHER THAN THOSE FOR WHICH IT WAS FURNISHED WITHOUT WRITTEN PERMISSION OF McElroy Manufacturing, Inc.

NOTES:

1. INSTALL ITEM 1 INTO ITEM 9 WITH MEDIUM STRENGTH THREAD LOCKER SO THAT 2 7/16" OF STUD IS EXPOSED.
2. STAKE HOLES TO RETAIN PIN.
3. ADJUST ANGULARITY BETWEEN ITEM 12 AND ITEM 9 PER ES102.



McElroy Manufacturing Parts List

Part Number: SW07301 4ips Pivot Release Master Insert Assembly

Part Number SW07301 Component List

Item	Component	Description	Quantity	Unit	Price
1	MJQ00028	1/4-20NCX3 Type 2 Dbl End Stud	1.0	EA	6.88
2	MJE00006	Compression Spring	2.0	EA	2.99
3	MBF00005	1/4 TY 'a' Wide FL Wshr Stil PL	2.0	EA	0.11
4	MAC00058	1/4-20NCX1-3/4LG Shcs PL	1.0	EA	1.07
5	MJE00007	Spring	1.0	EA	11.04
6	MAG00013	#10-32NFX1/4LG Skt Set Scr	1.0	EA	0.74
7	MCI00008	3/8DIAX1/2LG Dowel Pin	1.0	EA	1.40
8	SW05501	Insert Body Hand Knob	1.0	EA	14.36
9	SW07303	4IPS Pivot Release Body	1.0	EA	475.00
10	SW07305	4IPS Pivot Release Clamp	1.0	EA	253.00
11	SW04707	Pivot Rlse Mstr Insr Pivot Pin	1.0	EA	52.50
12	SW04706	Pivot Release Mstr Insr Sleeve	1.0	EA	68.16

Please visit <https://fusion.mcelroy.com/parts> to purchase parts or for more information.

