



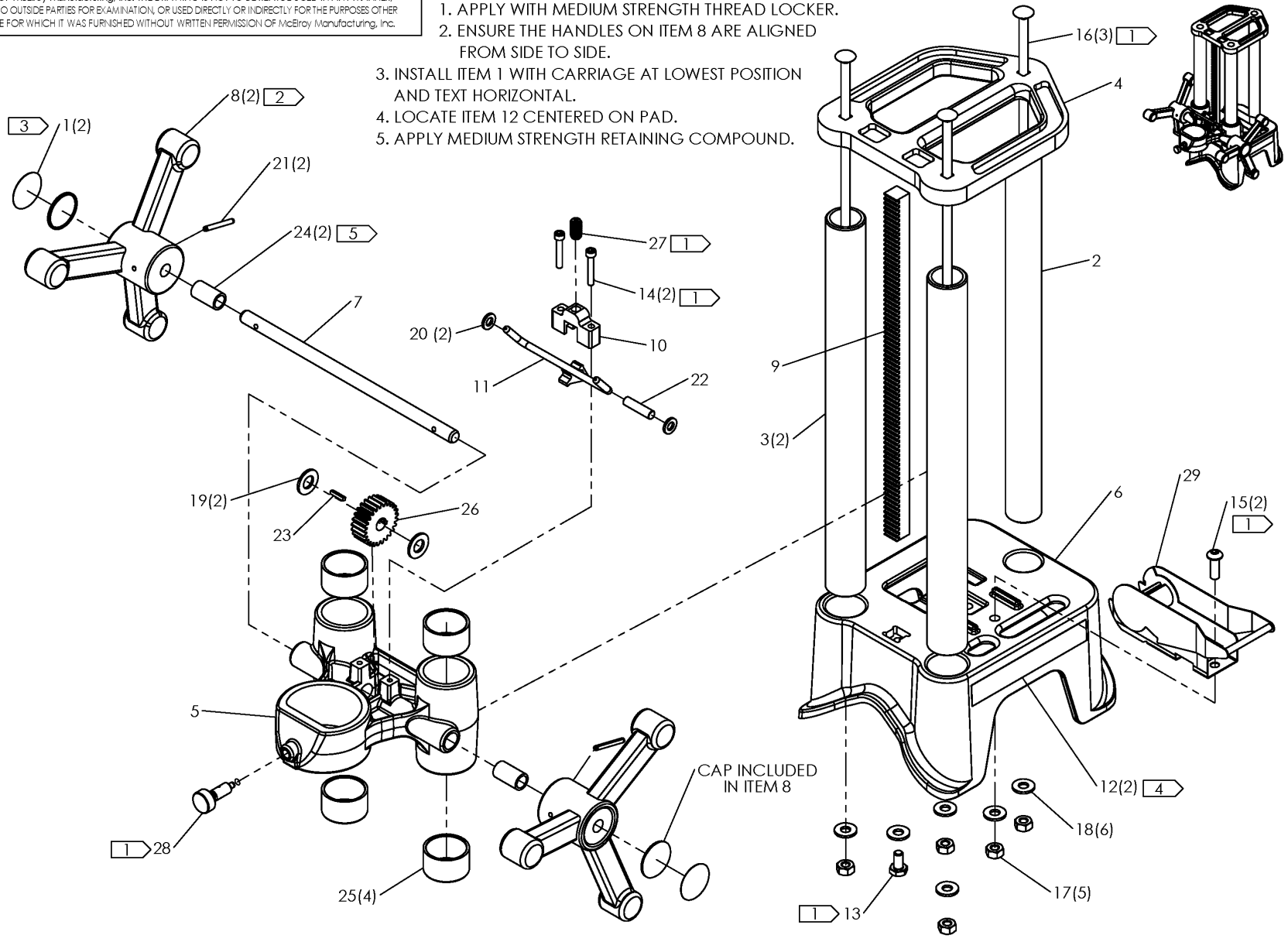
McElroy Manufacturing, Inc.
The leader by design.
Tulsa, Oklahoma U.S.A.

DRAWN: HECK	CHECK: PJD	APPRVD: BWJ	DATE: 1/26/17	SHT No: 1A	REV No: A	PART No: SW25001
-------------	------------	-------------	---------------	------------	-----------	------------------

Hornet™ ASSEMBLY

NOTE: THIS DRAWING AND THE INFORMATION CONTAINED THEREIN IS THE CONFIDENTIAL AND PROPRIETARY PROPERTY OF McElroy Manufacturing, Inc. THE DRAWING IS NOT TO BE REPRODUCED IN ANY MANNER, SUBMITTED TO OUTSIDE PARTIES FOR EXAMINATION, OR USED DIRECTLY OR INDIRECTLY FOR THE PURPOSES OTHER THAN THOSE FOR WHICH IT WAS FURNISHED WITHOUT WRITTEN PERMISSION OF McElroy Manufacturing, Inc.

- NOTES:
1. APPLY WITH MEDIUM STRENGTH THREAD LOCKER.
 2. ENSURE THE HANDLES ON ITEM 8 ARE ALIGNED FROM SIDE TO SIDE.
 3. INSTALL ITEM 1 WITH CARRIAGE AT LOWEST POSITION AND TEXT HORIZONTAL.
 4. LOCATE ITEM 12 CENTERED ON PAD.
 5. APPLY MEDIUM STRENGTH RETAINING COMPOUND.





McElroy Manufacturing, Inc.

The leader by design.

Tulsa, Oklahoma U.S.A.

DRAWN: HECK

CHECK: PJD

APPRVD: BWJ

DATE: 1/26/17

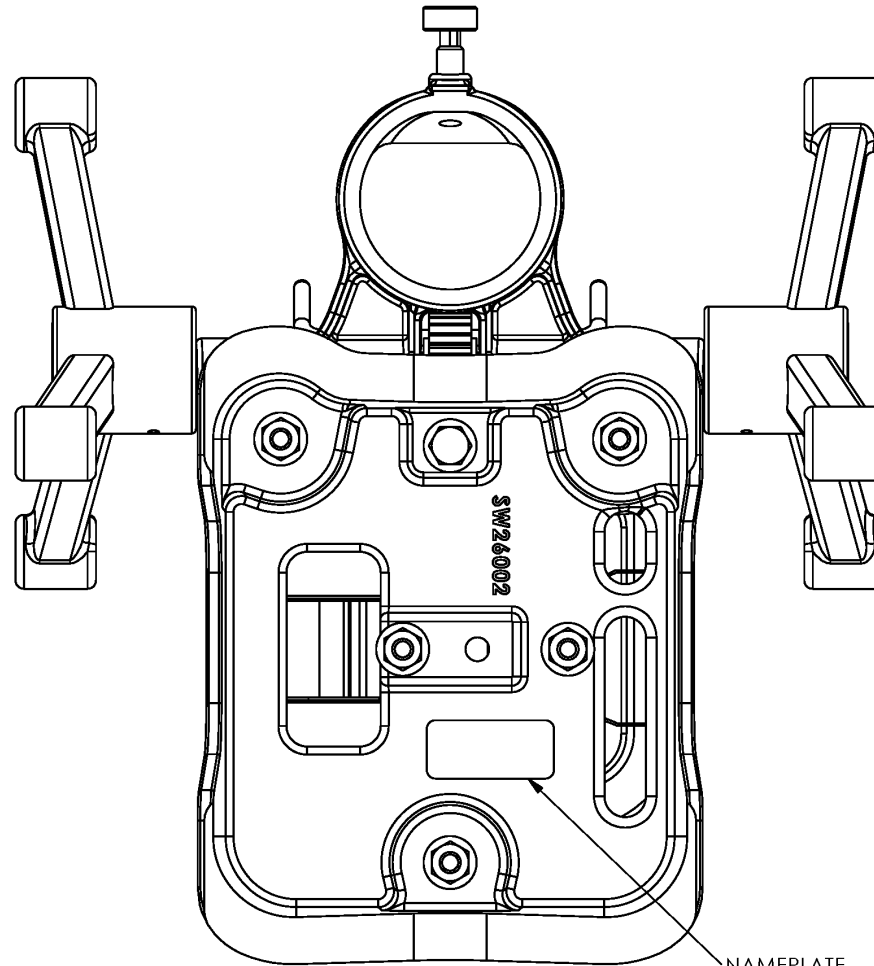
SHT No: 1B

REV No: A

PART No: SW25001

Hornet™ ASSEMBLY

NOTE: THIS DRAWING AND THE INFORMATION CONTAINED THEREIN IS THE CONFIDENTIAL AND PROPRIETARY PROPERTY OF McElroy Manufacturing, Inc. THE DRAWING IS NOT TO BE REPRODUCED IN ANY MANNER, SUBMITTED TO OUTSIDE PARTIES FOR EXAMINATION, OR USED DIRECTLY OR INDIRECTLY FOR THE PURPOSES OTHER THAN THOSE FOR WHICH IT WAS FURNISHED WITHOUT WRITTEN PERMISSION OF McElroy Manufacturing, Inc.



NAMEPLATE
LOCATED APPROXIMATELY
AS SHOWN

McElroy Manufacturing Parts List

Part Number: SW25001 Hornet Assembly

Part Number SW25001 Component List

Item	Component	Description	Quantity	Unit	Price
1	SW24701	Hornet Logo Decal	2.0	EA	43.07
2	SW25701	Rear Guide Rod	1.0	EA	0.00
3	SW25702	Front Guide Rod	2.0	EA	330.00
4	SW25801	Top Plate Template	1.0	EA	134.00
5	SW25901	Quick Change Carriage	1.0	EA	430.00
6	SW26001	Hornet Base	1.0	EA	324.00
7	SW26101	Gear Shaft	1.0	EA	159.00
8	SW26601	Drive Handle	2.0	EA	106.00
9	SW27101	Drive Rack	1.0	EA	268.00
10	SW27301	Lock Bracket	1.0	EA	169.00
11	SW27601	Carriage Lock Wld	1.0	EA	179.00
12	8163326	4.5" McElroy Branding Label	2.0	EA	0.00
13	MAB00002	1/4-20NCX1/2LG Hhcs	1.0	EA	0.18
14	MAC00025	#8-32NCX3/4LG Shcs PL (Effective to 9/9/18)	2.0	EA	0.39
14	MAN00050	#8-32NCX1LG Shcs SS	2.0	EA	0.00
15	MAE00123	1/4-20NCX3/4LG Bhscs SS	2.0	EA	0.34
16	MAI00019	1/4-20NCX13-1/4 LG Crg Bolt	3.0	EA	0.00
17	MBA00005	1/4-20NC Fnsh Hex Nut Stl PL	5.0	EA	0.32
18	MBG00044	1/4 Type 'an' Flat Wshr Stl PL	6.0	EA	0.49
19	MBG00077	3/8 Flat White/nat Nyl Washer	2.0	EA	0.00
20	MBG00082	1/4" Nylon Washer	2.0	EA	0.46
21	MCG00054	1/8DIAX1-1/8LG Roll Pin Stl PL	2.0	EA	0.35
22	MCI00001	1/4DIAX1LG Dowel Pin	1.0	EA	1.00
23	MCK00072	3/32X3/32X1/2LG Key,sq Ends	1.0	EA	18.00
24	MDM00477	.3765 ID X .503 OD Bushing	2.0	EA	2.11
25	MDM00536	1-1/8ID X3/4" LG Igus Bushing	4.0	EA	26.47
26	MDQ00058	Hornet Drive Gear	1.0	EA	263.00
27	MJN00013	5/16-18 Ball Plunger	1.0	EA	14.82
28	MJN00014	5/16-18 Retractable Plunger SS	1.0	EA	47.13
29	MJQ00644	1" Green Ratchet Strap	1.0	EA	68.32

Please visit <https://fusion.mcelroy.com/parts> to purchase parts or for more information.